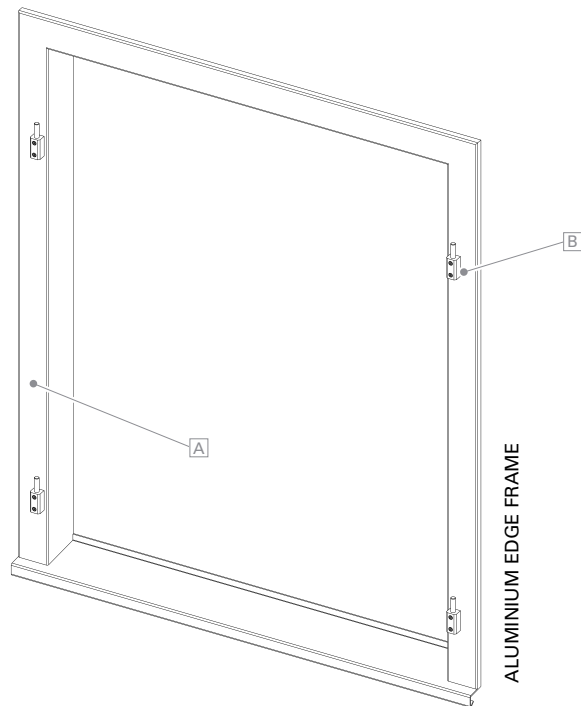


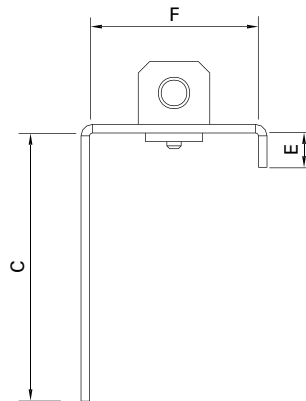
# Aluminium edge frame



<b>Surface</b>	Fine structure matt (standard), silk gloss, matt Powder-coated 200 °C as finished element
<b>Colours</b>	RAL Classic, RAL Design, NCS, VSR
<b>Finishes</b>	Not possible
<b>Fittings</b>	Including express hinge, shutter closure and shutter lock. Shutter holder, included loose. Bracket <b>B</b> installed.
<b>Notes</b>	Aluminium edge frame <b>A</b> with preinstalled fittings, without sash  Up to 1500 × 1500 mm completely welded; from 1500.1 × 1500.1 mm (overall outside dimension) the edge frame is bolted as it cannot be coated in one piece.  Please note that the bolt angle protrudes 4–6 mm per side. Take air escape into account accordingly!

!

Frame profile



<b>Min./max. dimensions</b>	Width: 500 mm to 2800 mm Height: 800 mm to 2500 mm Larger sizes on request
<b>Frame profile</b>	Aluminium sheet (3.0 mm) edged, completely welded Dimension C: max. 350 mm, Dimension E: min. 12 mm, Dimension F: min. 64 mm / max. 134 mm; If dimension F is greater than 134 mm, the frames are not welded to the mitre but to the butt/straight section.
<b>Window sill</b>	Type 1, 2, 5, 6
<b>Additional profiles</b>	U compensation profile, F compensation profile, Facade connection; Additional profiles are recommended to guarantee clean connections with the window.
<b>Options</b>	Frame, 4-sided type   shutter rods   blind rods   hook coupling   Angle bracket   Frame bracket   Rotating rod closure   Sash lock   Catch   Rabbet bead   Pre-installation sashes