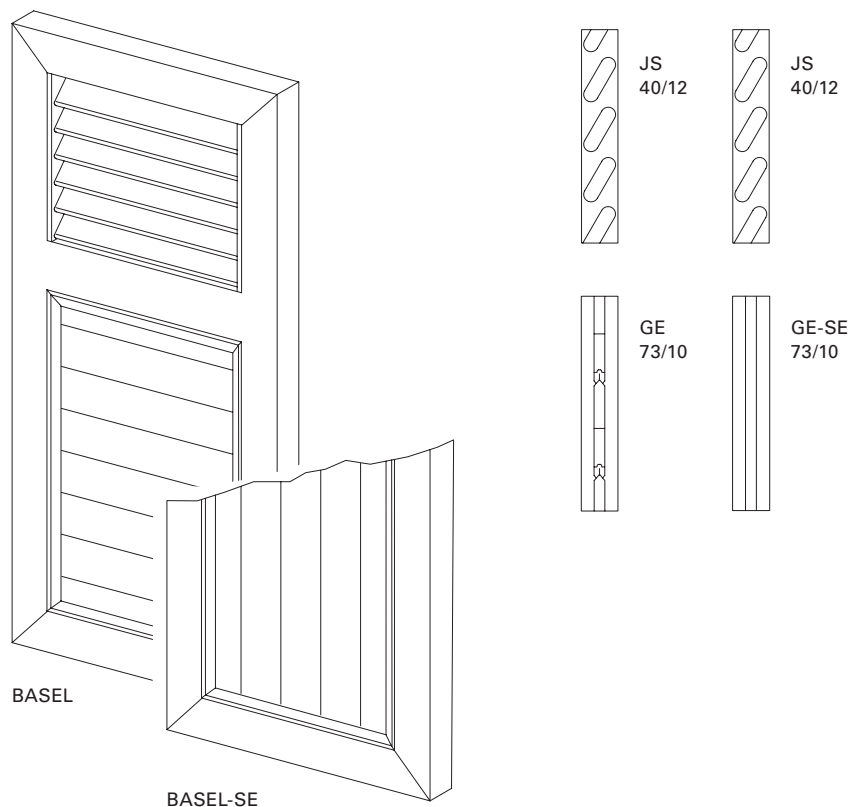
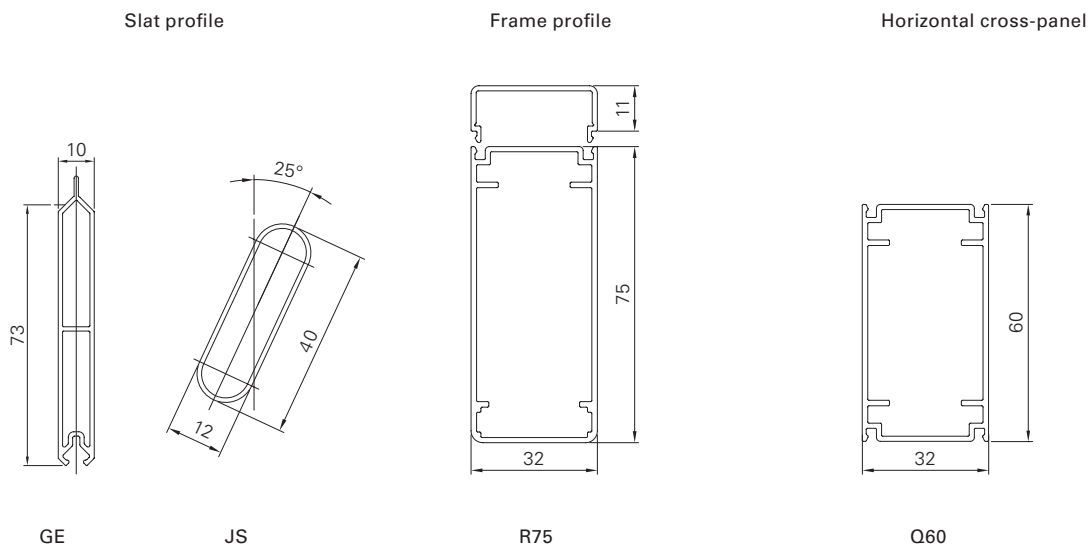


# BASEL (-SE)



<b>Surface</b>	Fine structure matt (standard), silk gloss, matt Powder-coated 200°C before assembly
<b>Colours</b>	RAL Classic, RAL Design, NCS, VSR
<b>Finishes</b>	Wood, stone, rust
<b>Pretreatment</b>	Ocean Line Plus possible
<b>Notes</b>	<p>Electric drive and finish are not possible in combination with special shapes</p> <p>When shutter closures are used (art. no. 5315/5316) supports are required (art. no. 5323)</p> <p>Inserts are exchangeable</p> <p>Distribution of horizontal cross-panel: 1/3 top, 2/3 bottom; division by dimensions specification also possible (depending on distribution of slats)</p> <p>Drain holes at bottom of frame</p> <p>Floor locking in combination with special shapes can only be installed to a limited extent</p>





<b>Min./Max. dimensions</b>	Width: 280 to 800 mm Height: 800 to 2500 mm
<b>Min./max. infeed</b>	33,0–36,7 mm
<b>Inclination angle</b>	25°
<b>Weight</b>	Approx. 8 kg/m <sup>2</sup>
<b>Frame profile</b>	75 × 32 mm extruded aluminium hollow chamber profile
<b>Slat profile</b>	40 × 12 mm extruded aluminium hollow chamber profile
<b>Slat carrier profile</b>	32 × 11 mm extruded aluminium
<b>Horizontal cross-panel profile</b>	60 × 32 mm extruded aluminium hollow chamber profile
<b>Centre</b>	73 × 10 mm extruded aluminium hollow chamber profile
<b>Stop bead</b>	Supplied loose, black or white rubber (depending on sash colour)

**Corner connections** Aluminium bracket, glued-in and additionally secured by plastic pins

**Options** Notching | Add-on lock | Opener | Floor locking | Electric drive | Easyflex | Rabbet bead | Vertical cross-panel | Half-round arch (mounted) | Horizontal cross-panel | Inside opener crank | Frames | Basic frame | Rod lock | Segmental arch, hollow (mounted) | Pre-installation | Segmental arch, solid (mounted) | Catch | Special shapes (arched frame profile)