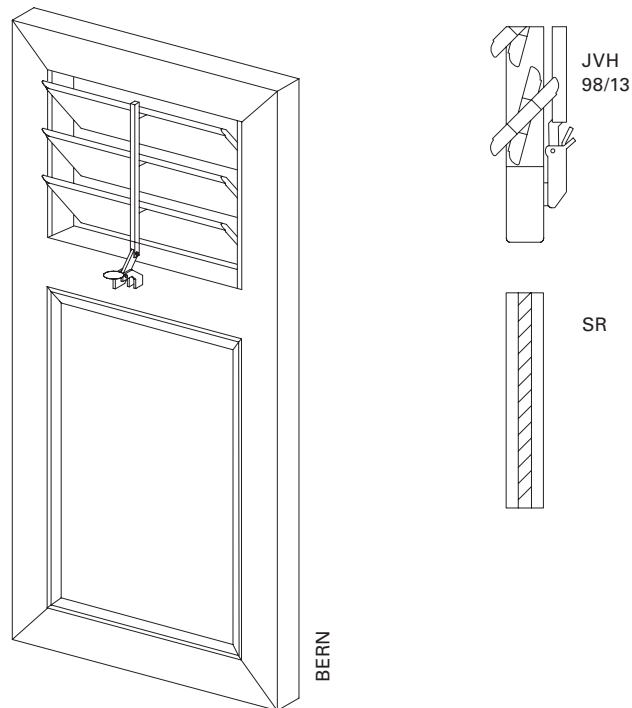


# BERN

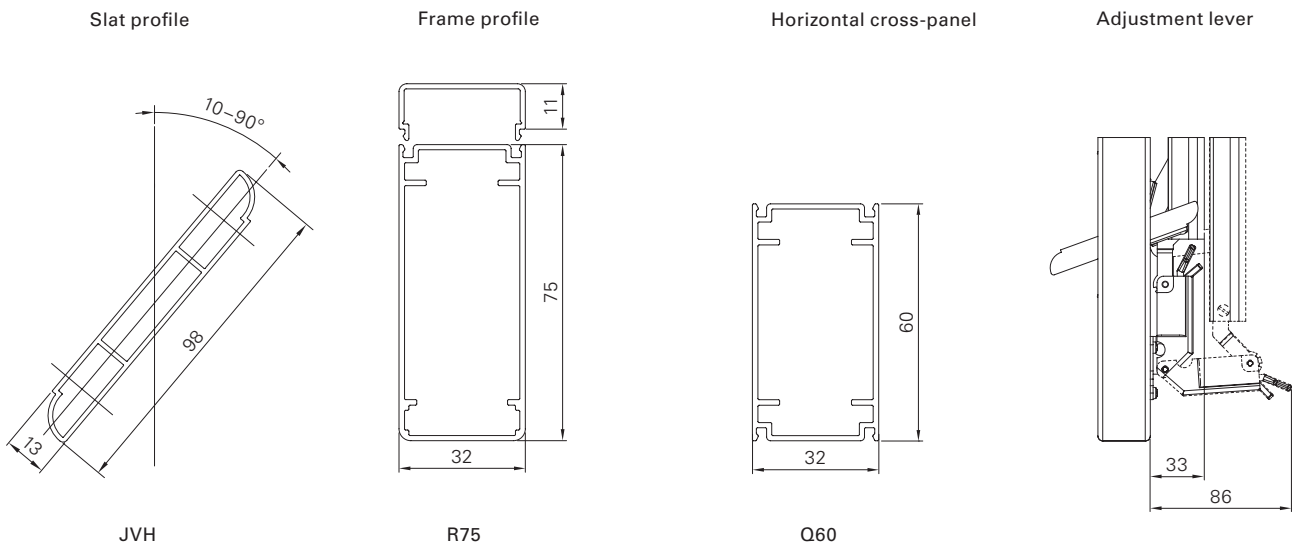


<b>Surface</b>	Fine structure matt (standard), silk gloss, matt Powder-coated 200°C before assembly
<b>Colours</b>	RAL Classic, RAL Design, NCS, VSR
<b>Finishes</b>	Wood, stone, rust
<b>Pretreatment</b>	Ocean Line Plus possible
<b>Notes</b>	<p>Distribution of horizontal cross-panel: 1/3 top, 2/3 bottom                      Division by dimensions specification possible (depending on distribution of slats)                      Inserts are exchangeable                      Drain holes at bottom of frame                      Slat end caps made of black or white plastic                      Slat with push rod connected by metal shaped part</p>

In the stop diagrams 2L, 2R, 3L, 3R and 4, the push rod must be adjusted 25 mm from its central position to the left and right respectively (shutter rod not possible in these cases)  
 Structural height when adjustment lever is closed: 30 mm, open: 100 mm

Opener can only be positioned in the centre panel  
 When shutter closures are used (art. no. 5315/5316) supports are required (art. no. 5323)





**Min./max. dimensions** Width: 280 to 800 mm  
Height: 800 to 2500 mm

**Min./max. infeed** 80,0–95,0 mm  
**Min./max. inclination angle** 10–90°  
**Weight** Approx. 8 kg/m<sup>2</sup>

**Frame profile** 75 × 32 mm extruded aluminium hollow chamber profile  
**Slat profile** 98 × 13 mm extruded aluminium  
**Slat carrier profile** 32 × 11 mm extruded aluminium profile  
**Horizontal cross-panel profile** 60 × 32 mm extruded aluminium hollow chamber profile  
**Centre** Polystyrene rigid foam board with double-sided aluminium sheeting

**Adjustment** Adjustable slats via central push rod lock with detent positions  
**Stop bead** Supplied loose, black or white rubber (depending on the sash colour)

**Corner connections** Aluminium bracket, glued-in and additionally secured by plastic pins

**Options** Notching | Add-on lock | Opener | Floor locking | Electric drive | Rabbet bead | Catch | Half-round arch (mounted) | Vertical cross-panel | Slat end caps made of metal in sash colour | Horizontal cross-panel | Rod lock | Segmental arch, hollow (mounted) | Pre-installation | Segmental arch, solid (mounted) | Catch | Frames | Easyflex