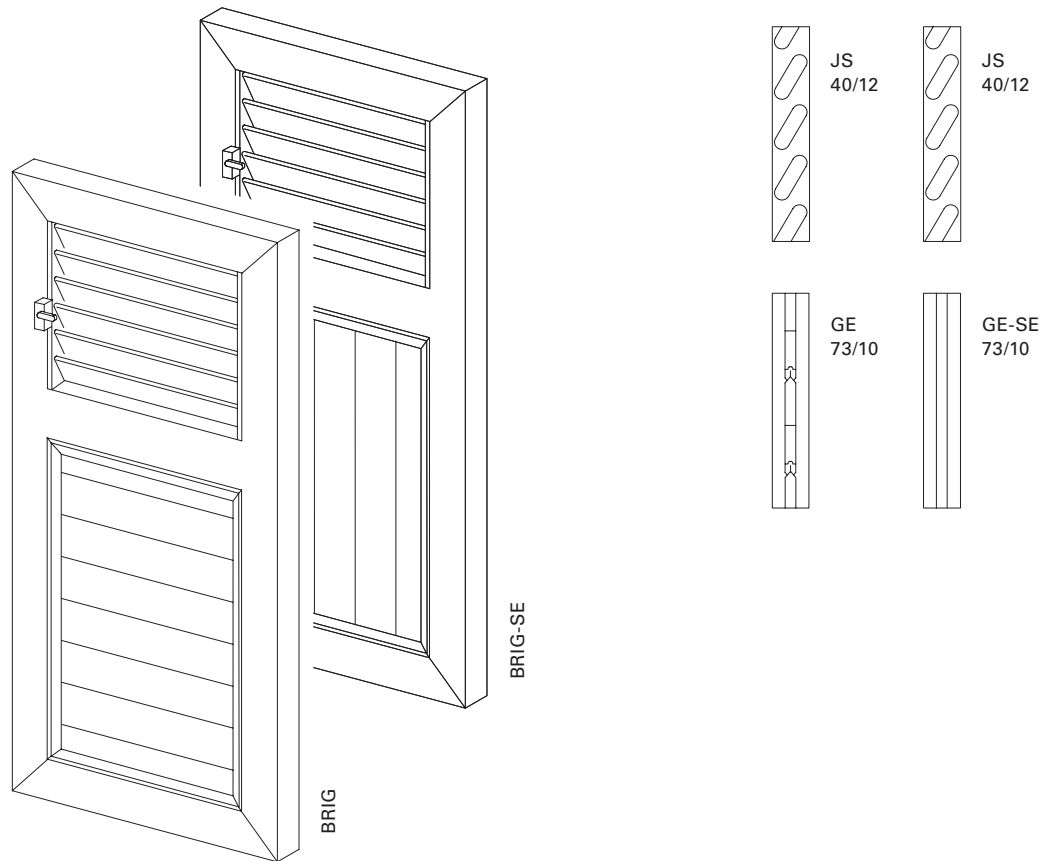
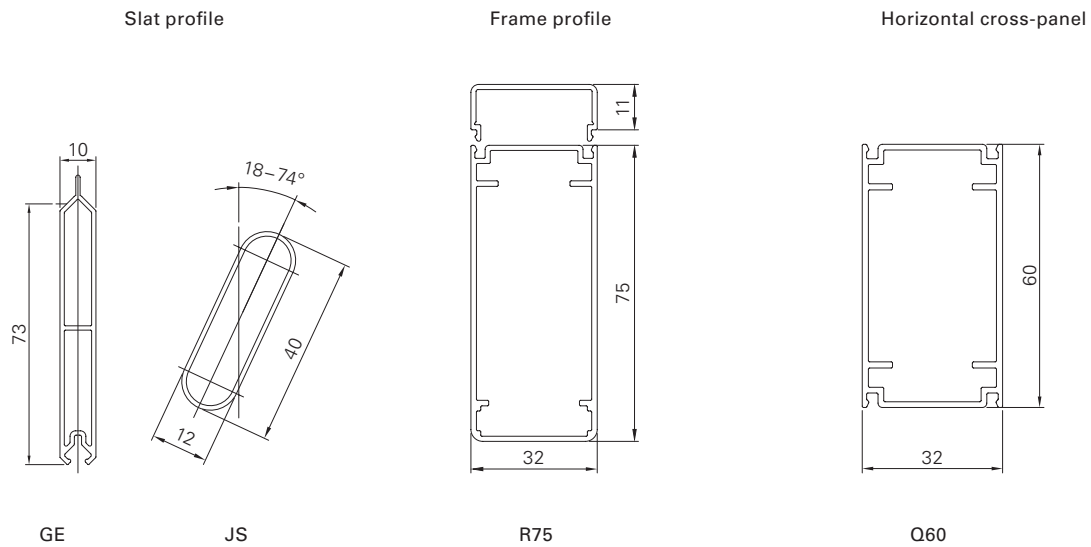


BRIG (-SE)



Surface	Fine structure matt (standard), silk gloss, matt Powder-coated 200 °C before assembly
Colours	RAL Classic, RAL Design, NCS, VSR
Finishes	Wood, stone, rust
Pretreatment	Ocean Line Plus possible
Notes	<p>Distribution of horizontal cross-panel: 1/3 top, 2/3 bottom Division by dimensions specification possible (depending on distribution of slats) Inserts are exchangeable</p> <p>Slat end caps made of black plastic Adjustment lever is positioned roughly in the centre of the adjustable panel Structural height of adjustment lever approx. 30 mm – please observe in regard to cranking</p> <p>Drain holes at bottom of frame Opener can only be positioned in the centre panel When shutter closures are used (art. no. 5315/5316) supports are required (art. no. 5323)</p>





Min./max. dimensions Width: 280 to 800 mm
 Height: 800 to 2500 mm

Min./max. infeed 34,0–36,0 mm

Min./max. inclination angle 18–74°

Weight Approx. 9 kg/m²

Frame profile 75 × 32 mm extruded aluminium hollow chamber profile

Slat profile 40 × 12 mm extruded aluminium hollow chamber profile

Slat carrier profile 32 × 11 mm extruded aluminium profile

Horizontal cross-panel profile 60 × 32 mm extruded aluminium hollow chamber profile

Centre 73 × 10 mm extruded aluminium hollow chamber profile

Adjustment Adjustable slats via lateral swivel lever lock with detent positions

Stop bead Supplied loose, black or white rubber (depending on the sash colour)

Corner connections Aluminium bracket, glued-in and additionally secured by plastic pins

Options Notching | Add-on lock | Opener | Floor locking | Electric drive | Rabbet bead | Vertical cross-panel | Half-round arch (mounted) | Horizontal cross-panel | Inside opener crank | Rod lock | Basic frame | Pre-installation | Segmental arch, hollow (mounted) | Catch | Segmental arch, solid (mounted) | Frames | Easyflex