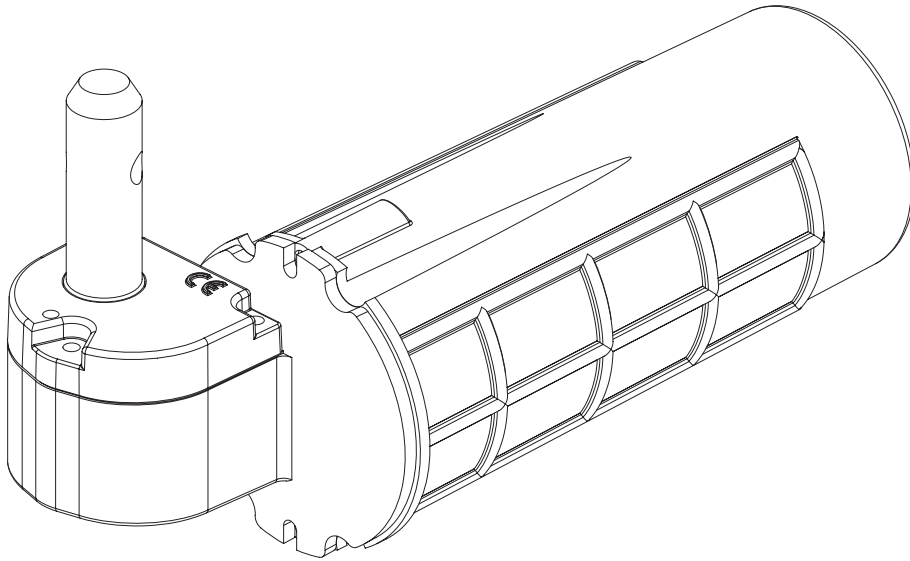


# E-motion

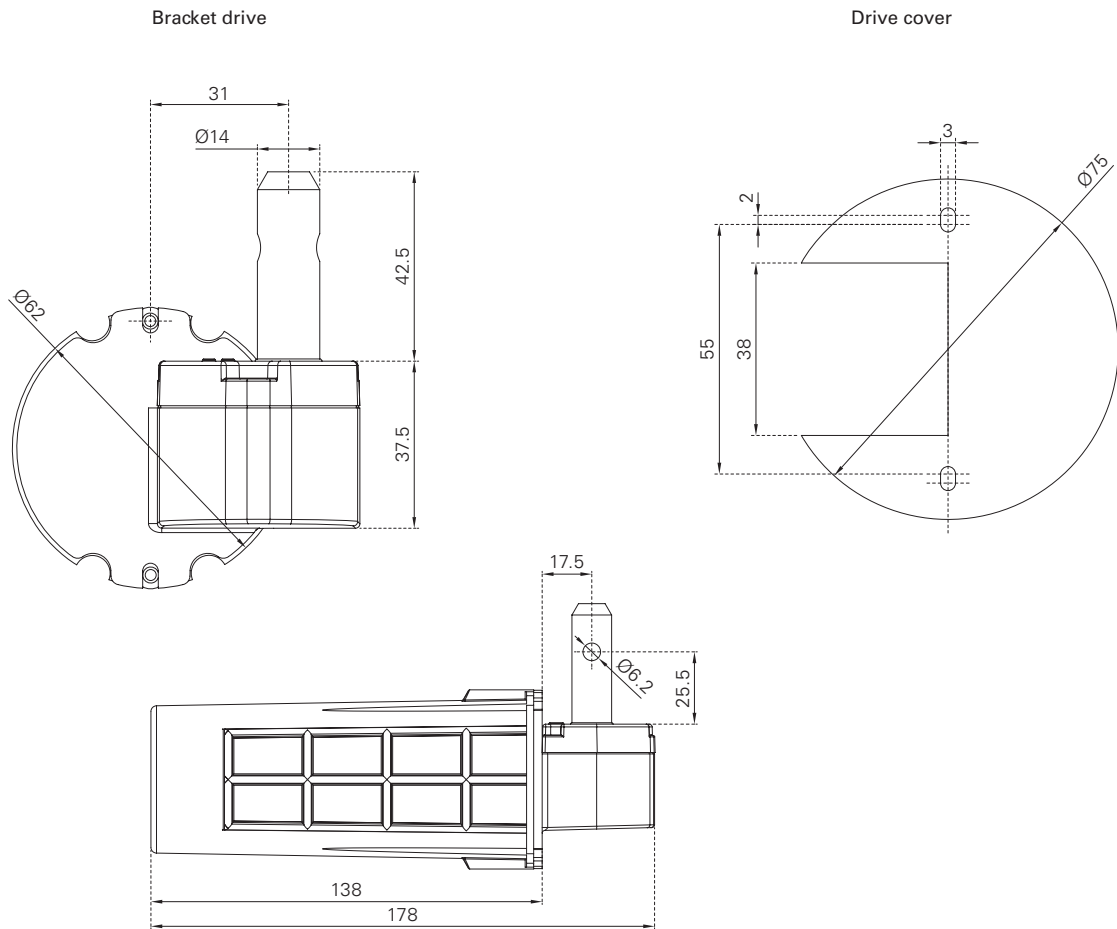


**E-motion**  
Bracket drive for window shutters

---

<b>E-motion</b>	Invisible bracket drive system for a max. of 2 sashes per side for actuation of window shutters
<b>Clear width</b>	According to dimensional specifications; With 1 motor (1L/1R, 2L/2R): 280 mm to 1600 mm With 2 motors (2, 3L/3R, 4): 560 mm to 3200 mm
<b>Area on each side</b>	1 sash: 1.6 m <sup>2</sup> 2 sashes: 3.2 m <sup>2</sup>
<b>Weight per drive</b>	max. 50 kg
<b>Colours</b>	Bracket drive in black; Motor cover coating, spacer ring and bolt stop can be customised (black as standard)
<b>Operation</b>	Remote control via hand-held transmitter (2-channel), radio frequency 433.92 MHz or pushbutton control
<b>Guarantee</b>	5 years
<b>Quantity</b>	1-2 window shutters can be operated by each electric drive





<b>System drawing</b>	1R/1L, 2, 2R/2L, 3R/3L, 4 No RA / LA installation possible!
<b>Voltage supply</b>	230 V – 24 V DC +/- 10%
<b>Torque nom.</b>	25 Nm per motor; Speed = 1.9 rpm
<b>Opening or closing time</b>	16 seconds
<b>Power consumption</b>	100 W
<b>Operating temperature</b>	-30°C to +70°C
<b>Disconnection</b>	Load switch-off (stops at obstacles)
<b>Scope of delivery</b>	Bracket drive with wireless remote control or pushbutton, control unit, screen sleeve, drilling template for façades, drive cover, retaining rings, coupling rod for double sashes, spacer rings, fastening screws
<b>Essential accessories</b>	Switching power supply, fastening and sealing accessories (injection mortar)
<b>Options</b>	Electromagnetic lock set, deadbolt, wireless pushbutton, hand-held transmitter with holder, drilling template for driven hinges, stop button, bolt stop, stop buffer
<b>Notes</b>	Express hinges made of steel are used for the E-motion bracket drive. The frame features inside opener reinforcement (Art. no. 10006). Non-driven brackets must be ordered separately for new installations. When using 3 brackets on each side (from height $\geq$ 1900 mm), we recommend using the middle bracket as the drive bracket. Bracket drive pin diameter: Ø14 mm Break-in prevention by blocking when closed