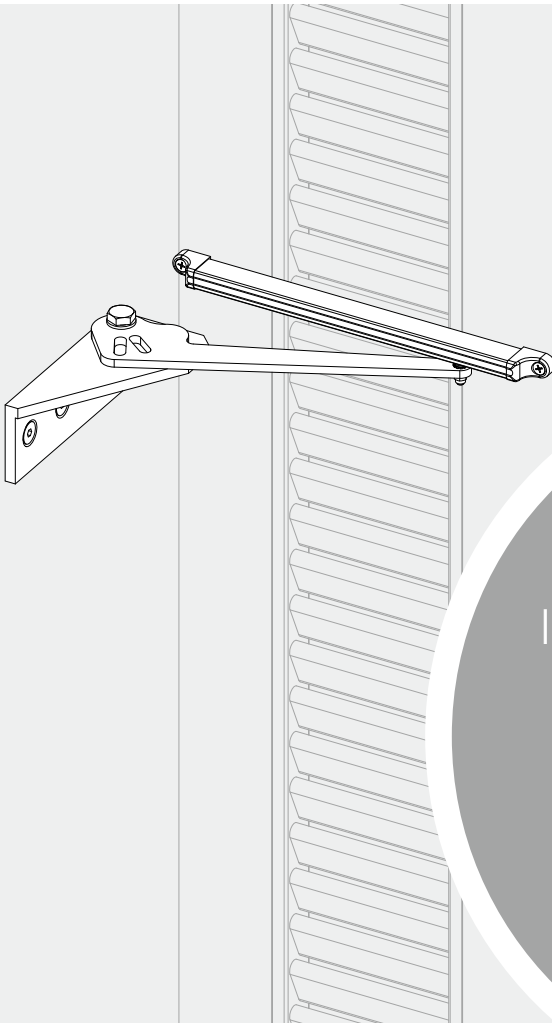


Aluminium folding sliding shutters Roll-over protection



Installation instructions

INSTALLATION BY
SPECIALIST PERSONNEL
Valid from 12.2015

E 629.1

Notes

These installation instructions describe how to install the optional roll-over protection for EHRET folding sliding shutters.

It is essential to install the folding sliding system in accordance with the specifications laid out in the installation instructions for EHRET folding sliding shutters before installing the optional roll-over protection.

These installation instructions are a component part of the product and are therefore always to be retained until the product is disposed of.

These installation instructions are to be passed along in the event of the sale of this product.

These instructions are addressed to qualified specialist personnel. Qualified specialist personnel are persons who are familiar with the transport, set-up, installation, commissioning and operation of the product and who have appropriate qualifications for their work.

Specialist personnel must know and observe the relevant standards and/or guidelines.

This product complies with the general rules of technology. Safety-conscious behaviour is necessary for commissioning the product safely. For this reason, observe the following notes.

Carefully read through these instructions prior to commissioning. Observe the specified process steps and take into account the notes and recommendations given. Knowledge of and technically impeccable implementation of the given safety notes and warnings are prerequisites for safe and proper operation of the folding sliding shutters. Insufficient knowledge at the time of commissioning and utilisation lead to the loss of any liability claims against EHRET GmbH.

Should any of the information in these installation instructions not be absolutely clear, it is essential that you contact the specialist personnel at EHRET GmbH, 77972 Mahlberg (Germany).

Bore hole sizes and fastening material are recommendations only and may vary depending on the substrate!

Contents

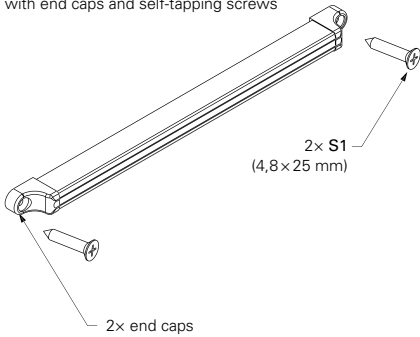
Notes	2
1 Product description	
Scope of delivery	4
2 Installation instructions	
Preparation.	5
Attaching the guide rail to the sash	5
Positioning the roll-over protection	6
Securing the roll-over protection to the reveal	6
Function check and fine-tuning	7

1 Product description

Scope of delivery

Guide rail

with end caps and self-tapping screws



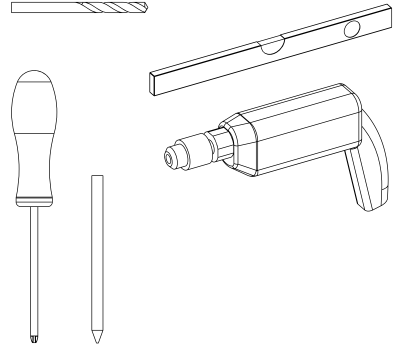
Tools required*

*not included in the scope of delivery

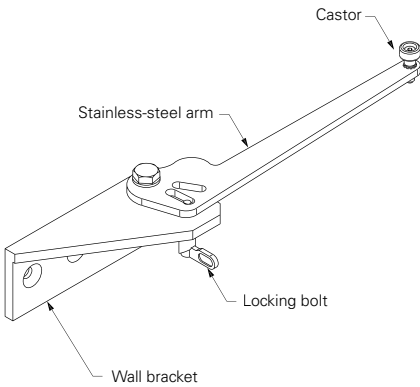
Masonry drill



Drill Ø 4.2 mm



Roll-over protection



INFO Fastening material to be provided by the customer!

2 Installation instructions

Preparation

⚠ WARNING

Danger of injury / property damage caused by unsuitable fastening materials

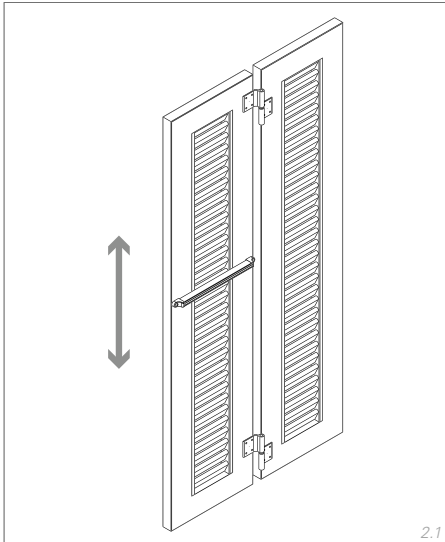
- ▶ Select the fastening material in accordance with the load capacity of the installation substrates!

NOTES

The selection of the fastening method is dependent on the substrate and is therefore exclusively your own responsibility.

- ▶ Check the scope of delivery for completeness.
- ▶ Establish the installation height of the guide rail on the sash.

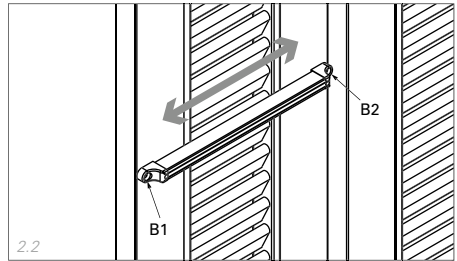
The installation height is dependent on the operating height of the locking bolt on the roll-over protection and can be freely selected.



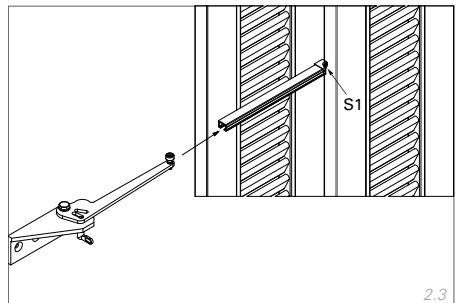
2.1

Attaching the guide rail to the sash

- ▶ Position the guide rail horizontally in the centre of the sash and use a spirit level to ensure it is straight.
- ▶ Mark bore holes **B1** and **B2** on the sash and drill through with $\text{Ø}4.2$ mm.



- ▶ Remove the end cap at the outer end of the guide rail (at B1).
- ▶ Screw the end cap at the inner end of the guide rail (at B2) to the sash using **SCREW S1**.
- ▶ Insert the castor for the roll-over protection into the guide rail groove.



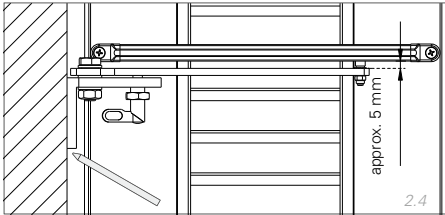
2.3

- ▶ Reattach the end cap at the outer end of the guide rail and screw to the sash using **SCREW S1**.

Positioning the roll-over protection

Vertical alignment

- ▶ Position the wall bracket vertically in the reveal with a gap of approximately 5 mm between the upper edge of the stainless-steel arm and the lower edge of the guide rail.
- ▶ Mark the vertical position.

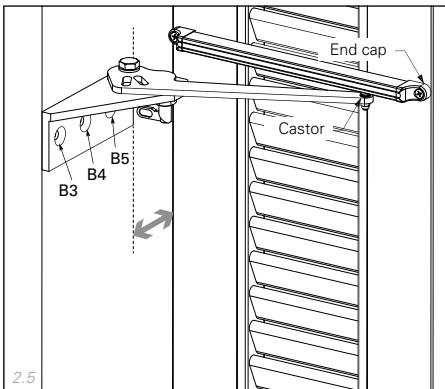


Horizontal alignment

- ▶ Position the wall bracket horizontally in the reveal so that the sashes can open and close without colliding.

The distance between the wall bracket and the sash is correct if the guide rail does not hit the end caps when opening and closing.

- ▶ Mark bore holes B3, B4 and B5.



Securing the roll-over protection to the reveal

⚠ WARNING

Danger of injury / property damage caused by unsuitable fastening materials

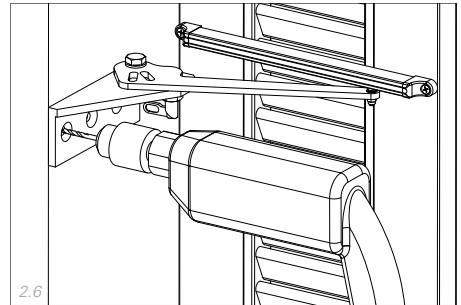
- ▶ Select the fastening material in accordance with the load capacity of the installation substrates!

NOTES

The selection of the fastening method is dependent on the substrate and is therefore exclusively your own responsibility.

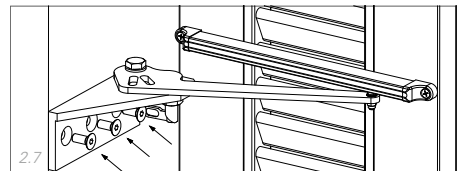
The fastening material is not included in the scope of delivery and must therefore be provided by the customer.

- ▶ Drill bore holes B3, B4 and B5 for the wall bracket.



- ▶ Screw the wall bracket to the reveal with 3 screws.

EHRET recommends using countersunk head screws.



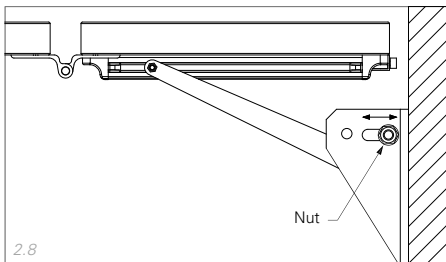
Function check and fine-tuning

Function check

- ▶ Open the sash fully and close it again.
 - *It is not possible to open/close the sash fully.*
 - *The castor hits the guide rail end caps when opening/closing.*
 - *The castor does not run smoothly in the guide rail or gets jammed when opening/closing the sash.*
- ▶ Carry out fine-tuning.

Fine-tuning

- ▶ Unscrew the nut on the bottom of the stainless-steel arm.
- ▶ Position the nut in the oblong bore hole area and make any necessary adjustments.



View from below

EHRET GmbH

Aluminium Shutters

Bahnhofstrasse 14-18

D-77972 Mahlberg

Tel. + 49 (0) 78 22/439-0

Fax + 49 (0) 78 22/439-116

www.ehret.com