

PERSIENNE

Aluminium folding shutters



Installation instructions

INSTALLATION BY
SPECIALIST PERSONNEL
Valid from 06.2017

E 634.2

Notes

These installation instructions describe the installation and commissioning of PERSIENNE folding shutters.

Carefully read through these instructions prior to commissioning. Observe the specified process steps and take into account the notes and recommendations given. Knowledge of and technically impeccable implementation of the given safety notes and warnings are prerequisites for safe and proper operation of the folding shutters. Insufficient knowledge at the time of commissioning and utilisation lead to the loss of any liability claims against EHRET GmbH. Installation and/or operation in full or partial deviation from our installation and operating instructions will lead to the warranty for defects becoming void.

These installation instructions are a component part of the product and are therefore always to be retained until the product is disposed of. These installation instructions are to be passed along in the event of the sale of this product.

These instructions are addressed to qualified specialist personnel. Qualified specialist personnel are persons who are familiar with the transport, set-up, installation, commissioning and operation of the product and who have appropriate qualifications for their work. Specialist personnel must know and observe the relevant standards and/or guidelines.

This product complies with the general rules of technology. Safety-conscious behaviour is necessary for commissioning the product safely. For this reason, observe the following notes.

Should any of the information in these installation instructions not be absolutely clear, it is essential that you contact the specialist personnel at EHRET GmbH, 77972 Mahlberg (Germany).

► *Remove the labels stuck to the shutters after installation!*


Bore hole sizes and fastening material are recommendations only and may vary depending on the substrate!

Contents


Notes	2
Explanation of signs and symbols	4
Safety notes	4
CE EC Declaration of Conformity	6
Installation FAQs.	7
1 Product description	
Scope of delivery	8
Tools required	9
Operating principle	10
2 Installation instructions	
Pre-drilling the hinge profile	12
Fastening sash packet 1 to the connection profile	12
Fastening sash packet 2 to the connection profile (for double-sided diagrams)	14
Mounting the shutter catch	14
Mounting the stop angle.	15

Explanation of signs and symbols


Warning notes

 **DANGER**

▶ Designates an imminent danger that could lead to death or severe injuries if the respective precautionary measures are not implemented.

 **WARNING**

▶ Means that death, severe bodily injury or major property damage could occur if the respective precautionary measures are not implemented.


 **CAUTION**

▶ Means a possible danger that could lead to minor injuries or property damage if it is not avoided.

- ▶ Directives for action


Safety notes

- ▶ Only qualified specialist personnel may carry out installation and commissioning!

 **WARNING**

Incorrect installation could lead to severe injuries and/or damage to property.

▶ Follow all installation instructions.

 **WARNING**

▶ Take into account the following notes and warnings in order to avoid dangers and to protect the product.

- ▶ Observe the accident prevention regulations of the Accident Prevention & Insurance Association.
- ▶ Observe the rules of the road during transport.
- ▶ Make sure that the load is well-secured on the means of transport.
- ▶ Cordon off a generously large area around the installation site.
- ▶ Observe without limitation the regulations of the manufacturers of dowel and fitting materials.
- ▶ The mounting bases of the installation site are to be checked for load-bearing capacity prior to installation.
- ▶ In the event of uncertainties about the mounting bases, contact your responsible building experts.
- ▶ Check the product for damage prior to installation. Products requiring repair may not be used.

- ▶ No personnel or obstacles are permitted to be within the range of pivoting and/or travelling shutters while they are moving. Keep personnel and objects away until the shutters have reached their final position.
- ▶ Do not reach into moving parts or closing areas while shutters are opening or closing.
- ▶ Make sure that no articles of clothing or body parts are able to be caught by moving parts in the system.
- ▶ Ice could form on the product in the event of snowfall, sleet or icy rain. Do not operate equipment until the ice formation is no longer present, and switch automatic controls to manual.
- ▶ Make sure that the shutters are locked before any wind load occurs.
- ▶ The shutters may not be operated at wind speeds from 62 km/h (stormy wind).
- ▶ No additional loads such as persons or objects are permitted to have an effect on the shutters.
- ▶ Shutters are not intended to protect individuals from falls.

 WARNING**Danger of injury from the weight of the product!**

- ▶ Due to the weight of the products, transport and installation must be carried out by at least two individuals.

- ▶ Transport the product carefully in order to avoid damage.
- ▶ Take care to ensure that the product is not damaged when the packaging material is removed.

 WARNING**Danger of suffocation from packaging foil.**

- ▶ The packaging foil must be kept out of reach of children.
 - ▶ Store the foil carefully until you turn it in for recycling.
- ▶ Turn the packaging materials in for recycling.

CE EC Declaration of Conformity

(Original EC Declaration of Conformity)

In accordance with the Construction Products Directive 89/106/EEC

The manufacturer: EHRET GmbH
Aluminium shutters
Bahnhofstrasse 14-18
77972 Mahlberg, Germany

declares that the product: **PERSIENNE folding shutter**
Description of function: Sun/glare protection and screen

to which this guideline refers, meets the requirements of the EC Directives specified above.

The following harmonised standards have been applied in full:

EN 13659: 2015-05	Shutters and external venetian blinds – Performance requirements including safety
EN 1932: 2013-06	External blinds and shutters – Resistance to wind loads
EN 13527: 1999-10	Shutters and blinds – Measurement of operating force

—

Name and address of the individual who is authorised to assemble the technical documentation:

Ralf Gielen
Head of Technology

Location: 77972 Mahlberg, Germany
Date: 01.05.2017



EHRET GmbH
Eberhard Schopferer
Management

Installation FAQs

Which parts have been delivered?

- Sash packet per stop diagram, complete, with pre-installed hinge profile and espagnolette closure
- Shutter catch and stop angle per stop diagram, supplied loose in package, with accessories (supporting block and rivets)

Which means of attachment are being used?

- The fitting materials are not included in the scope of delivery!
- The selection of the fitting materials is based on the mounting bases on hand, the load-bearing capacities of which are to be checked before the installation. Observe without limitation the regulations of the manufacturers of dowel and fitting materials.



WARNING

Danger of injury/property damage caused by unsuitable fitting materials

- ▶ The fitting materials are to be selected in accordance with the load-bearing capacity of the mounting bases.

Which parts are to be positioned where on the structure?

- Sash packet with pre-installed hinge profile on the on-site connection profile
- Shutter catch on the reveal
- Stop angle in the centre of the espagnolette
- Additional central stop angles for joint profiles PE-G60/-G80/-G100

What must be observed during on-site performance?

- The connection profile must be aligned perpendicularly on-site prior to installation.
- The customer is responsible for ensuring that the sash packets are properly fastened to the connection profile and that suitable fitting materials are used.



WARNING

Danger of injury/property damage caused by falling folding sliding sashes

Missing or incorrectly set locking parts may result in the sash packets falling.

- ▶ Secure the sash packets using the shutter catches when open and the espagnolette when closed.



CAUTION

Risk of cutting injuries caused by the sharp edges on the vertical profiles

- ▶ Use gloves for the installation.

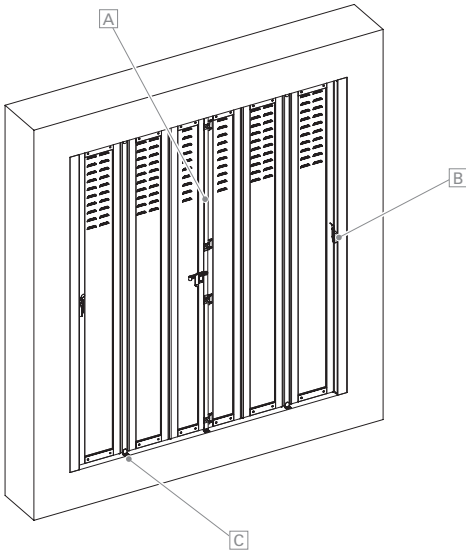
What is to be taken into account with the function check?

- In the case of double-sided diagrams, do the sash packets align in the middle when closed?
- Is there a sufficient gap (10 mm) between the frame edge and edge of the reveal to prevent the screw heads from touching?
- Are the locking parts, espagnolette and shutter catches installed in the correct manner?

Scope of delivery

PERSIENNE

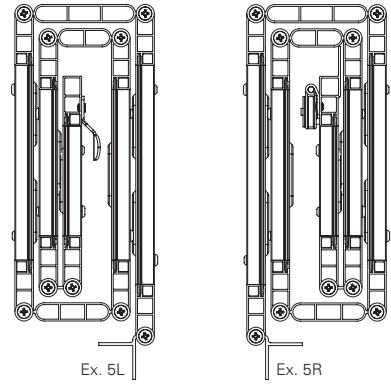
Example view of 3L-3R



- A** Espagnolette closure, pre-installed
- B** Shutter catch, loose
- C** Stop angle, loose

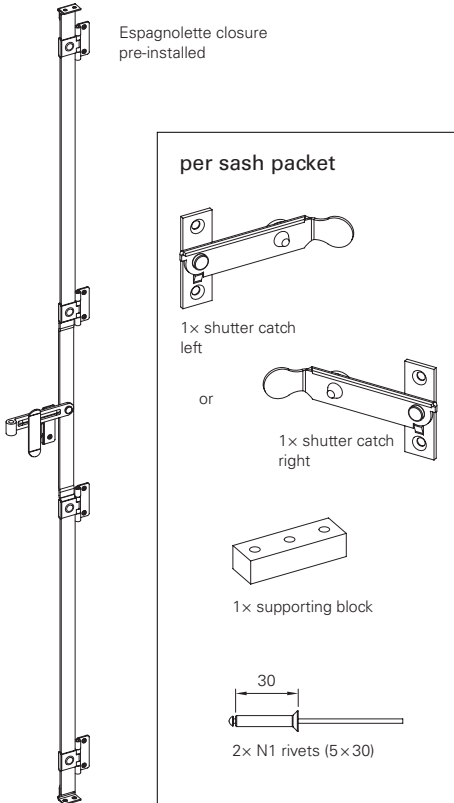
Scope of delivery

Sash packets



Accessories

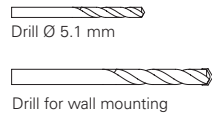
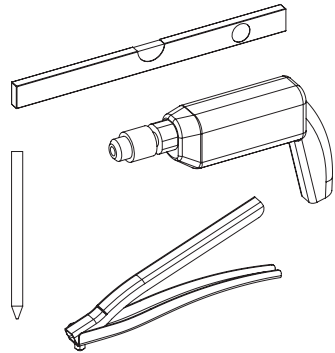
Locking



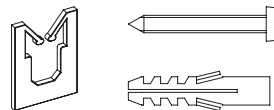
2x stop angles for espagnolette closure
+ 2x stop angles each for joint profiles PE-G60/G80/G100

Tools required

not included in the scope of delivery



not included in the scope of delivery



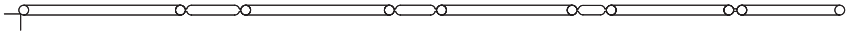
INFO Fitting material to be provided by the customer!

Operating principle

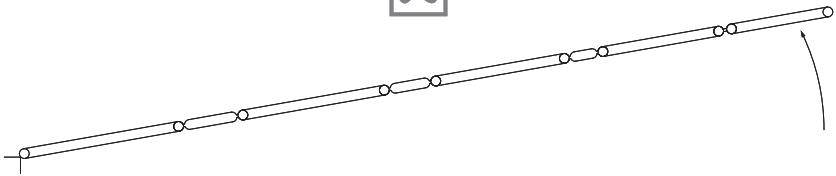
Opening the PERSIENNE

Example 5L

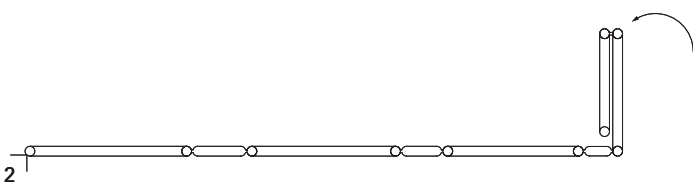
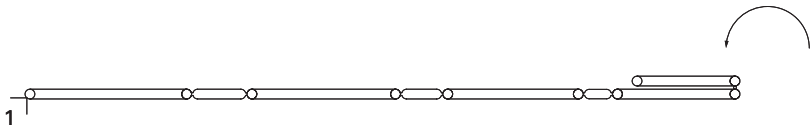
Closed PERSIENNE

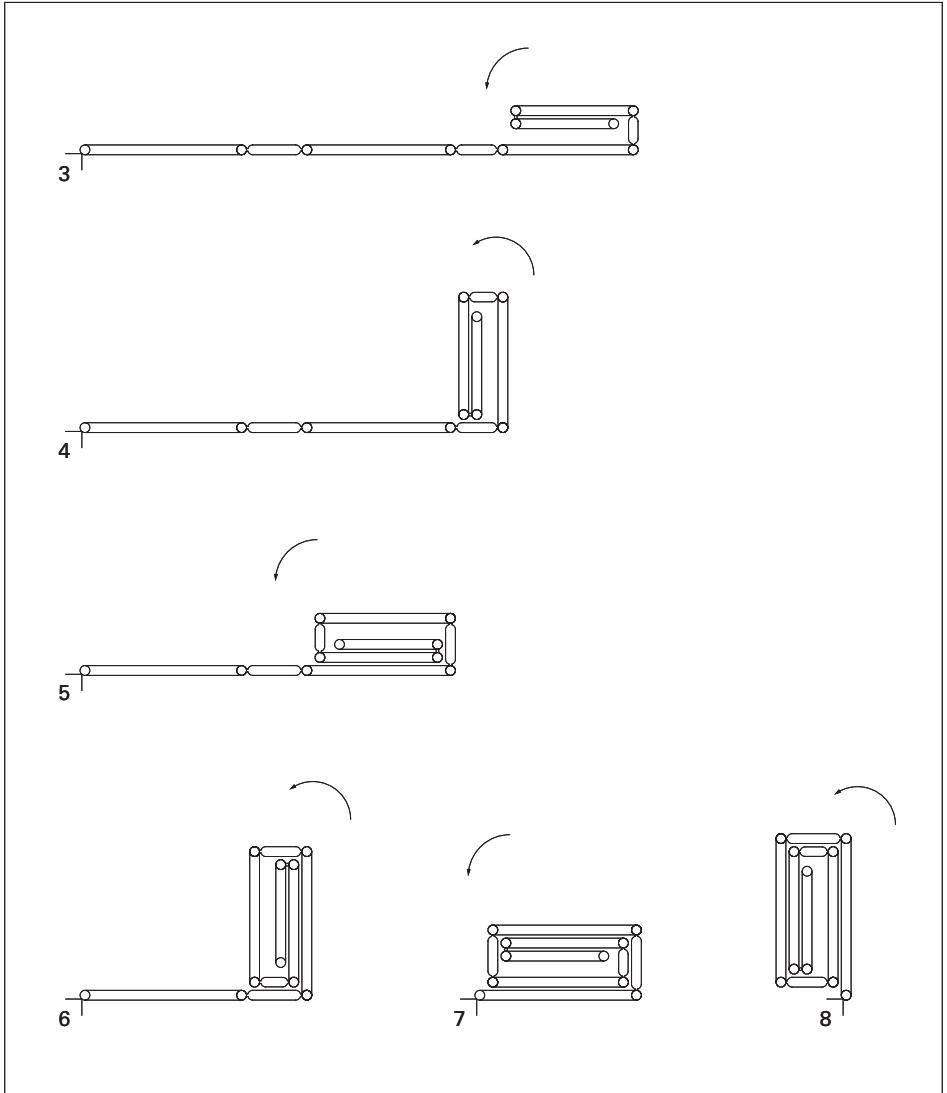


Wrong way to open



Right way to open (winding)





2 Installation instructions

Pre-drilling the hinge profile

⚠ WARNING

Danger of injury/property damage caused by unsuitable fastening materials

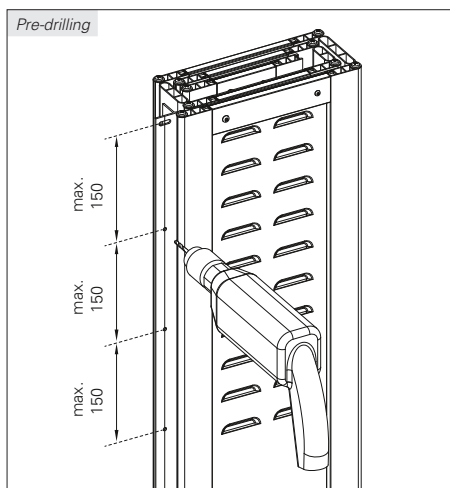
- ▶ Select fastening material in accordance with the load capacity of the installation substrates!

NOTE

The selection of the fastening method is dependent on the substrate and is therefore exclusively your own responsibility.

- ▶ The connection profile must be aligned perpendicularly on-site
- ▶ Unpack the delivery, check the state of the items and that all items are included
- ▶ Select the number of fastening holes as well as connecting elements
- ▶ Pre-drill the hinge profile

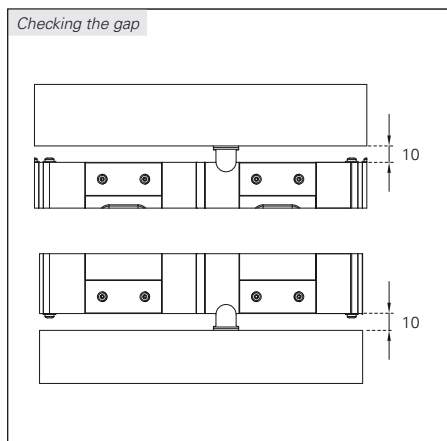
EHRET recommends fastenings with a distance of max. 70 mm to the top/bottom frame edges and max. 150 mm between the other fastenings.



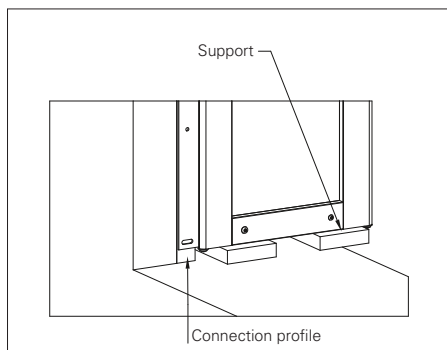
Fastening sash packet 1

to the connection profile

- ▶ Place the support under the sash packet
Ensure that the screw heads do not touch the upper edge of the reveal!
- ▶ Check the gap at the top and bottom
There must be a 10 mm gap between both the upper or the lower sash edge and the edge of the reveal



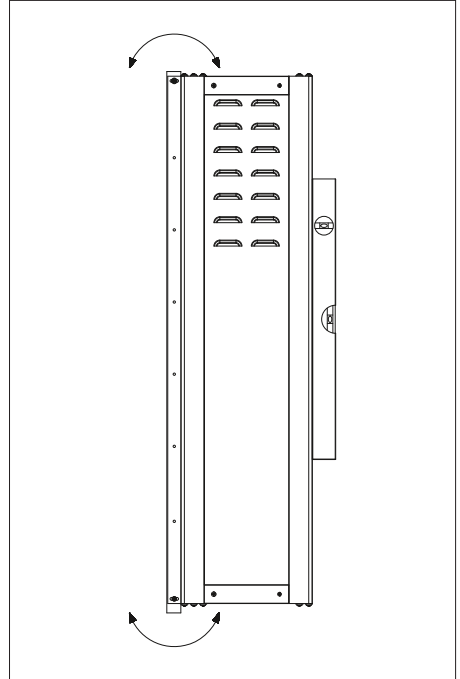
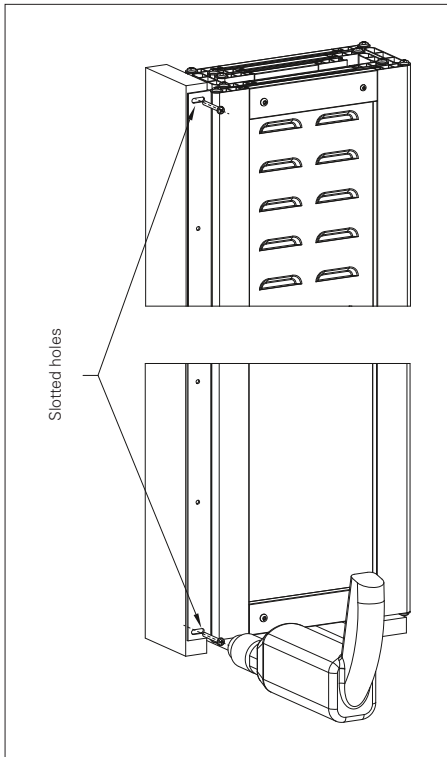
- ▶ Insert the sash packet with the pre-drilled hinge into the connection profile



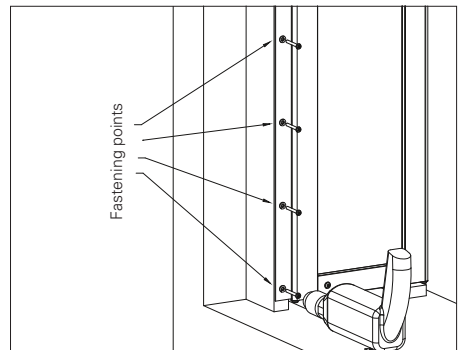
- ▶ Attach the left and right sash packages to both slotted holes with suitable fastening material.

- ▶ Align the sash packages vertically with the adjustment range of the slotted holes

Check whether the sashes close light-tight in the middle and readjust if necessary!



- ▶ Fasten the sash packet with a suitable fitting material in the connection profile

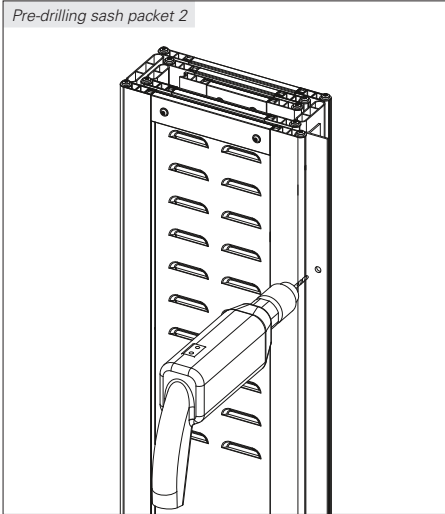


Fastening sash packet 2

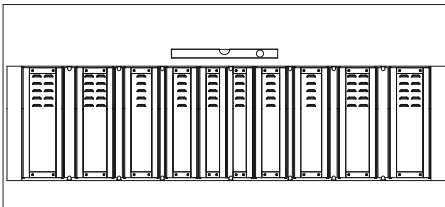
for double-sided diagrams

- ▶ First pre-drill and fasten the hinge profile at two locations at the top/bottom

Pre-drilling sash packet 2



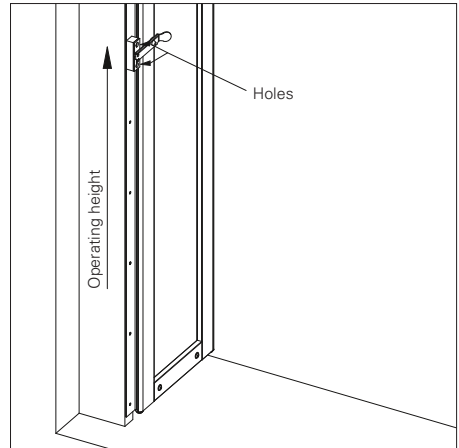
- ▶ Place the support under sash packet 2
- ▶ Check the gap at the top/bottom
- ▶ Close both sash packets and check that they align perpendicularly in the middle



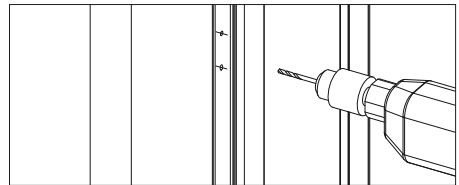
- ▶ Drill further fastening holes and fasten sash packet 2 in the connection profile with a suitable fitting material

Mounting the shutter catch

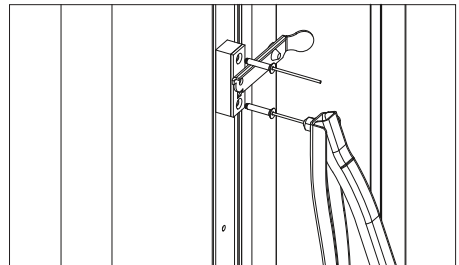
- ▶ Determine the operating height
- ▶ Mark the holes



- ▶ Drill the marked holes with a $\text{Ø } 5.1 \text{ mm}$ drill through the hinge profile and approx. 5 mm into the connection profile.

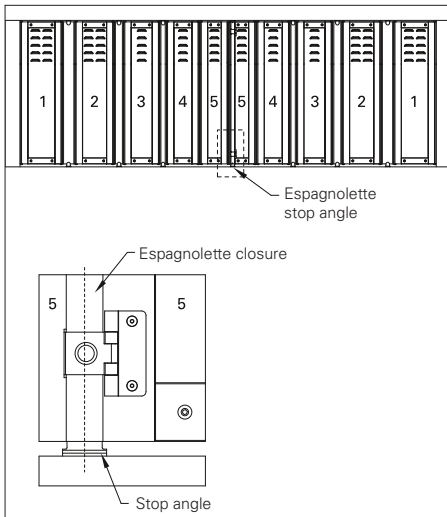


- ▶ Rivet the supporting block and shutter catch with N1 RIVETS.



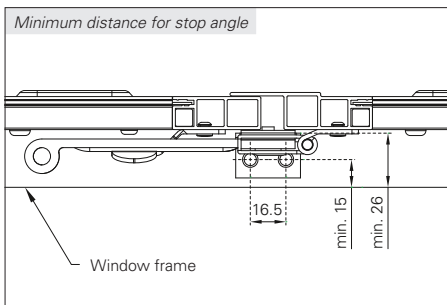
Mounting the stop angle

- ▶ Close the sash packet
- ▶ Position the stop angle for the espagnolette in the middle behind the closed espagnolette closure.



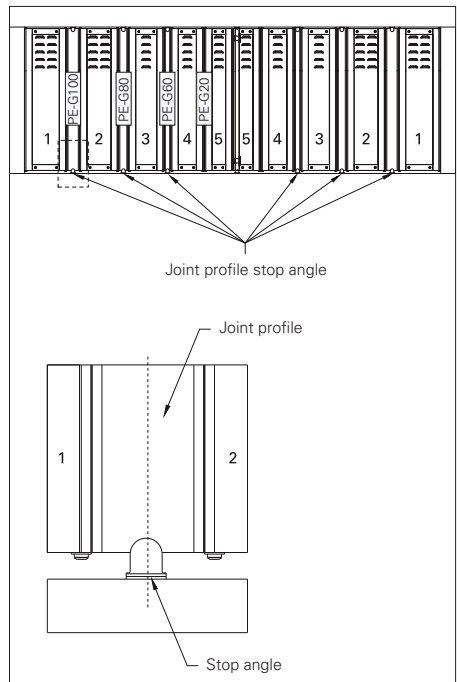
- ▶ Maintain a minimum distance from the window frame to the back of the stop angle (at least 26 mm) or to the stop angle hole (at least 15 mm).

The minimum distance ensures you can open and close the espagnolette properly.



- ▶ Drill the fastening holes
- ▶ Fix the stop angles
- ▶ Position additional stop angles for joint profiles PE-G60/G80/G100 in the middle of the joint profiles.

Ensure that the stop angles for joint profiles are aligned with the previously mounted stop angles for the espagnolette. No additional stop angle is provided for joint profile PE-G20.



- ▶ Drill the fastening holes
- ▶ Fix the stop angles

EHRET GmbH

Aluminium shutters

Bahnhofstrasse 14-18

77972 Mahlberg, Germany

Tel. +49(0)78 22/439-0

Fax +49(0)78 22/439-116

www.ehret.com