

## ELEGANCE fast frame Installation frames / Frames



### Installation instructions

INSTALLATION BY  
SPECIALIST PERSONNEL  
Valid from 11.2015

E 638.1

---

## Notes

These installation instructions describe how to install the ELEGANCE fast frame.

Carefully read through these installation instructions prior to commissioning. Observe the specified process steps and take into account the notes and recommendations given. Knowledge of and technically impeccable implementation of the given safety notes and warnings are prerequisites for safe and proper operation of the ELEGANCE fast frame. Insufficient knowledge at the time of commissioning and utilisation lead to the loss of any liability claims against EHRET GmbH.

These installation instructions are a component part of the product and are therefore always to be retained until the product is disposed of. These installation instructions are to be passed along in the event of the sale of this product.

These installation instructions are addressed to qualified specialist personnel. Qualified specialist personnel are persons who are familiar with the transport, set-up, installation, commissioning and operation of the product and who have appropriate qualifications for their work. Specialist personnel must know and observe the relevant standards and/or guidelines.

This product complies with the general rules of technology. Safety-conscious behaviour is necessary for commissioning the product safely. For this reason, observe the following notes.

Should any of the information in these installation instructions not be absolutely clear, it is essential that you contact the specialist personnel at EHRET GmbH, 77972 Mahlberg (Germany).


---

# Contents


Notes . . . . .	2
Explanation of signs and symbols . . . . .	4
Safety notes . . . . .	4
CE Declaration of Conformity . . . . .	6
Installation FAQs. . . . .	7
<b>1 Product description</b>	
Scope of delivery . . . . .	8
<b>2 Installation instructions</b>	
Assembling the frame . . . . .	10
Securing the frame in the reveal . . . . .	12
Hanging the sash . . . . .	13
Installing the locking bar. . . . .	14

## Explanation of signs and symbols


### Warning notes

 **DANGER**

▶ Designates an imminent danger that could lead to death or severe injuries if the respective precautionary measures are not implemented.

 **WARNING**

▶ Means that death, severe bodily injury or major property damage could occur if the respective precautionary measures are not implemented.


 **CAUTION**

▶ Means a possible danger that could lead to minor injuries or property damage if it is not avoided.

- ▶ Directives for action


## Safety notes

- ▶ Only qualified specialist personnel may carry out installation and commissioning!

 **WARNING**

**Incorrect installation could lead to severe injuries and/or damage to property.**

- ▶ Follow all installation instructions.

 **WARNING**

- ▶ Take into account the following notes and warnings in order to avoid dangers and to protect the product.

- ▶ Observe the accident prevention regulations of the Accident Prevention & Insurance Association.
- ▶ Observe the rules of the road during transport.
- ▶ Make sure that the load is well-secured on the means of transport.
- ▶ Cordon off a generously large area around the installation site.
- ▶ Observe without limitation the regulations of the manufacturers of dowel and fitting materials.
- ▶ The mounting bases of the installation site are to be checked for load-bearing capacity prior to installation.
- ▶ In the event of uncertainties about the mounting bases, contact your responsible building experts.
- ▶ Check the product for damage prior to installation. Products requiring repair may not be used.

- ▶ No personnel or obstacles are permitted to be within the range of pivoting and/or travelling shutters while they are moving. Keep personnel and objects away until the shutters have reached their final position.
- ▶ Do not reach into moving parts or closing areas while shutters are opening or closing.
- ▶ Make sure that no articles of clothing or body parts are able to be caught by moving parts in the system.
- ▶ Ice could form on the product in the event of snowfall, sleet or icy rain. Do not operate equipment until the ice formation is no longer present, and switch automatic controls to manual.
- ▶ Make sure that the shutters are locked before any wind load occurs.
- ▶ The shutters may not be operated at wind speeds from 62 km/h (stormy wind).
- ▶ No additional loads such as persons or objects are permitted to have an effect on the shutters.
- ▶ Shutters are not intended to protect individuals from falls.

** WARNING****Danger of injury from the weight of the product!**

- ▶ Due to the weight of the products, transport and installation must be carried out by at least two individuals.
- ▶ Transport the product carefully in order to avoid damage.
- ▶ Take care to ensure that the product is not damaged when the packaging material is removed.

** WARNING****Danger of suffocation from packaging foil.**

- ▶ The packaging foil must be kept out of reach of children.
  - ▶ Store the foil carefully until you turn it in for recycling.
- ▶ Turn the packaging materials in for recycling.

## CE EC Declaration of Conformity

(Original EC Declaration of Conformity)

In accordance with the Construction Products Directive 89/106/EEC

**The manufacturer:** EHRET GmbH  
Aluminium shutters  
Bahnhofstrasse 14-18  
77972 Mahlberg, Germany

declares that the product: **ELEGANCE fast frame**

to which this guideline refers meets all the applicable requirements of the EC Directives specified above,

and that the following harmonised standards have been applied in full:

**EN 13659:2004+A1:2008** Shutters – Performance requirements including safety

Name and address of the individual who is authorised to assemble the technical documentation:

Ralf Gielen  
Head of Technology

Location: 77972 Mahlberg, Germany  
Date: 01.11.2015



EHRET GmbH  
Eberhard Schopferer  
Management

## Installation FAQs

### Which parts have been delivered?

- 3× frame profiles, loose, with pre-mounted hinges as brackets
- 2× clamping brackets
- 2× corner brackets
- 4× M5 screws (S1)
- Sash with pre-mounted hinges
- Italian locking bar, with stop angle and rivets

### Which fitting materials are used?

- The fitting materials are not included in the scope of delivery!
- The selection of the fitting materials is based on the mounting bases on hand, the load-bearing capacities of which are to be checked before the installation. Observe without limitation the regulations of the manufacturers of dowel and fitting materials.



#### **WARNING**

**Danger of injury/property damage caused by unsuitable fitting materials**

- ▶ The fitting materials are to be selected in accordance with the load-bearing capacity of the mounting bases.

### How is the ELEGANCE fast frame installed?

- The three frame profiles are put together and bolted.
- The frame is aligned and fastened in the reveal.
- The sashes are hooked into place.
- The stop angle of the locking bar is mounted on the frame.
- The operating height of the locking bar is determined by the customer on an individual basis and the operating lever is attached to the sash.

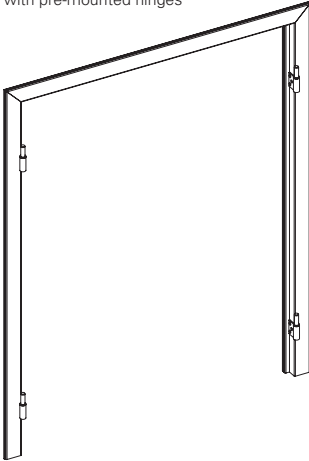
### What is to be taken into account during the function check?

- The frame must be installed parallel and at a right angle in the reveal to ensure that the window shutters work perfectly.

## Scope of delivery

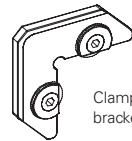
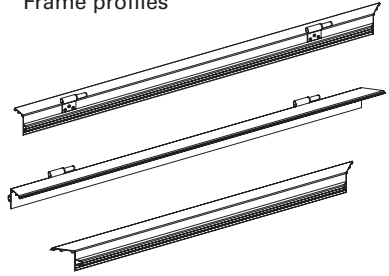
### ELEGANCE fast frame

Frame, 3-sided  
with pre-mounted hinges

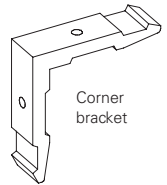


### Contained in the scope of delivery

Frame profiles

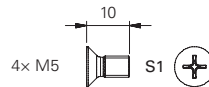
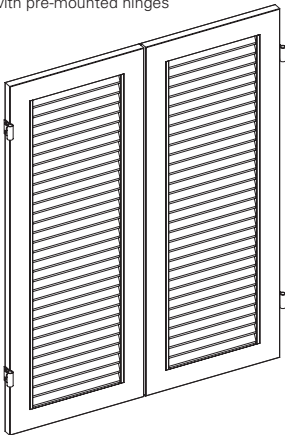


Clamping  
bracket



Corner  
bracket

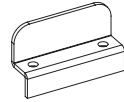
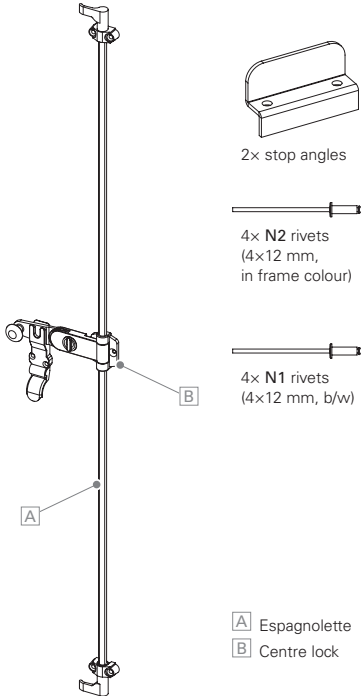
Sash as per stop diagram  
with pre-mounted hinges





## Italian locking bar

Espagnolette, pre-mounted on the sash



2x stop angles



4x N2 rivets  
(4x12 mm,  
in frame colour)



4x N1 rivets  
(4x12 mm, b/w)

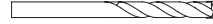
**A** Espagnolette

**B** Centre lock

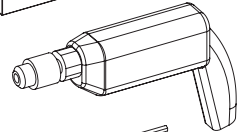
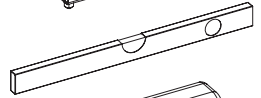
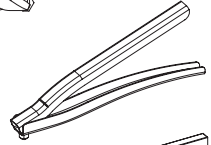
## Tools required\*

\*Not included in the scope of delivery

Masonry drill



Drill Ø 4.2 mm



WAF3

**INFO** Fitting material to be provided by the customer!

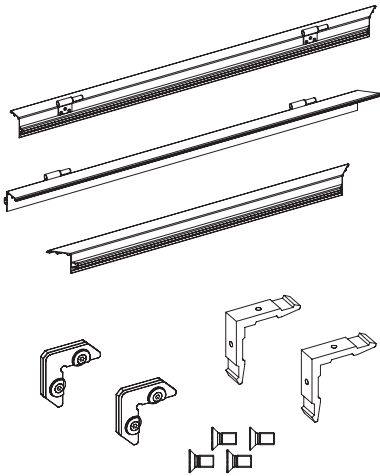
## 2 Installation instructions

### Assembling the frame

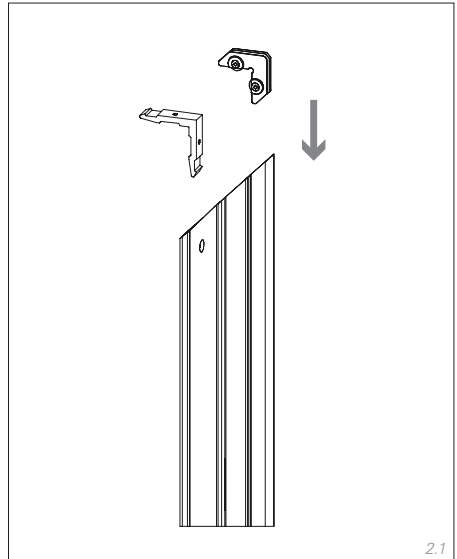
---

#### NOTES

- ▶ Check the scope of delivery for completeness prior to installation.
  - ▶ Keep the frame profiles, clamping and corner brackets, and S1 SCREWS required in this chapter on hand.
- 

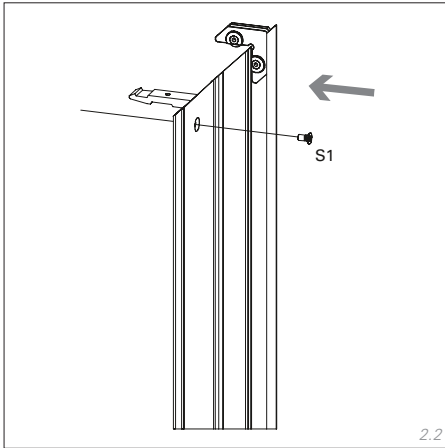


- ▶ Insert the corner and clamping brackets into the frame profile.

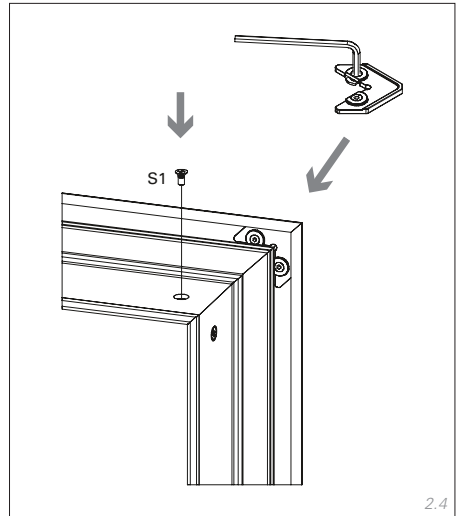


2.1

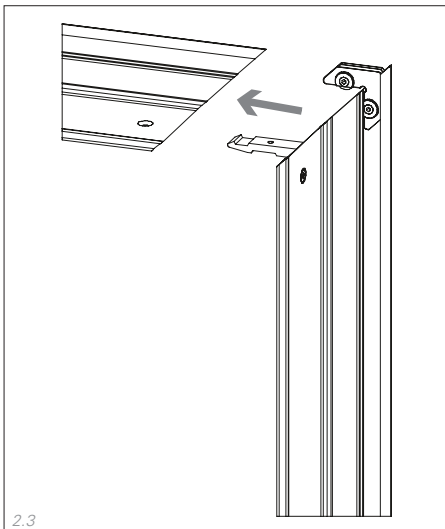
- ▶ Fasten the corner bracket using the S1 SCREWS.



- ▶ Fix the frame corner using the S1 SCREWS.
- ▶ Tension the clamping bracket.



- ▶ Put the frame corner together.



## Securing the frame in the reveal

### ⚠ WARNING

**Danger of injury and property damage caused by unsuitable fitting materials**

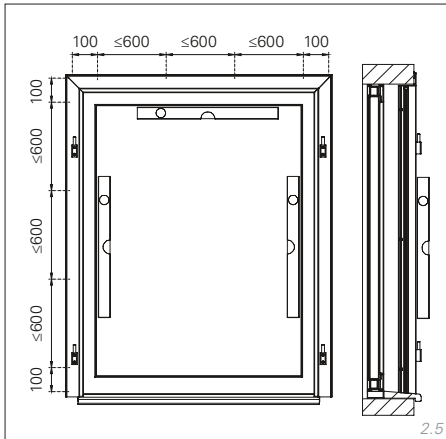
- ▶ Select the fitting material in accordance with the load capacity of the mounting bases!

### NOTES

- The selection of the fastening method is dependent on the base and is therefore exclusively your own responsibility.
- The installation material is not included in the scope of delivery.
- Note that the frame must be installed parallel and at a right angle in the reveal to ensure that the window shutters work perfectly.

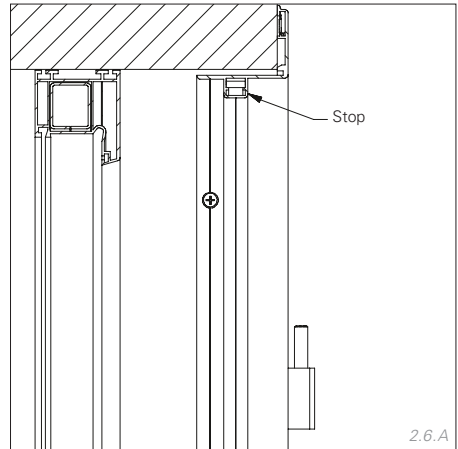
- ▶ Align the frame using a spirit level and check that the horizontal profiles run parallel.
- ▶ Fasten the frame.

*EHRET recommends fastening the frame 100 mm away from each of the frame corners and also at intervals of max. 600 mm on all sides.*



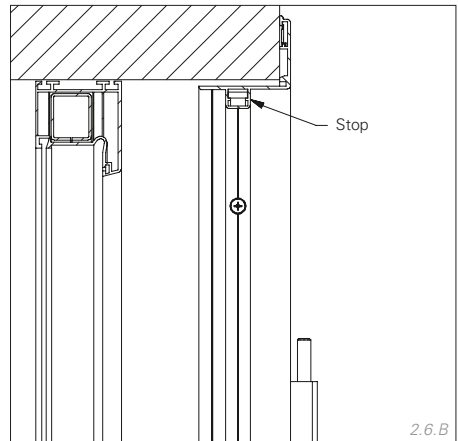
### Variant A

Frame fastened behind the stop



### Variant B

Frame fastened through the stop

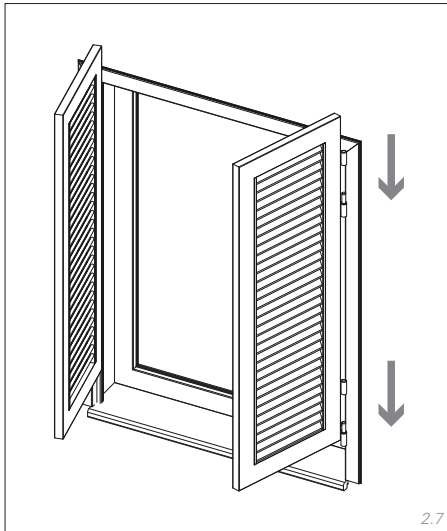


## Hanging the sash

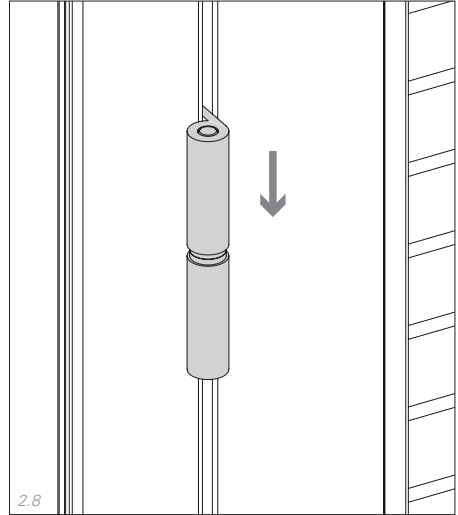
### NOTES

The Italian hinges are pre-mounted on the sashes.

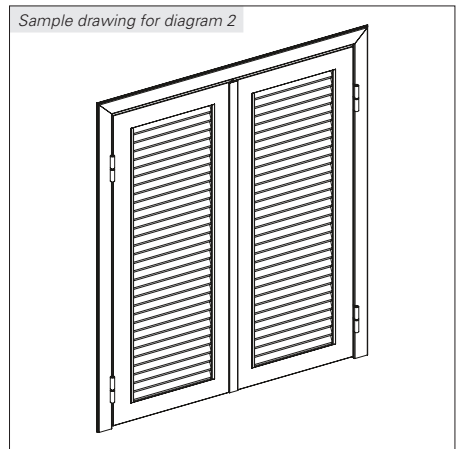
- ▶ Note whether a left-hand or right-hand sash is required.
- ▶ Lift the sash on the corresponding stop side so that the openings of the pre-mounted hinges on the sash are above the pin of the pre-mounted hinges on the frame.



- ▶ Push the hinges together.



Sample drawing for diagram 2



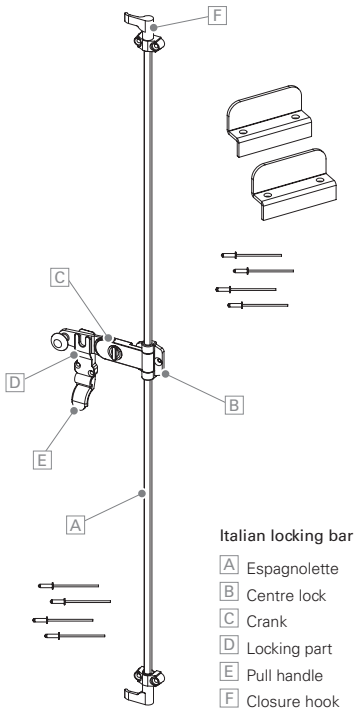
## Installing the locking bar

### NOTES

The espagnolette of the Italian locking bar is already pre-mounted on the sash.

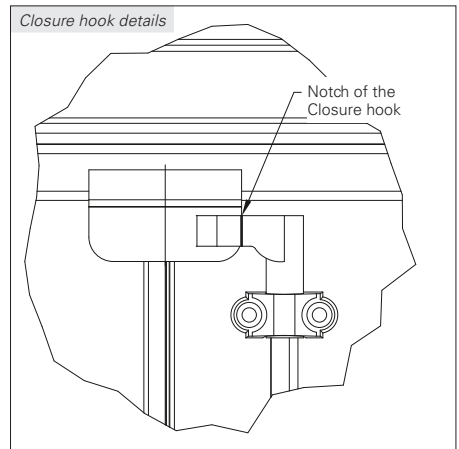
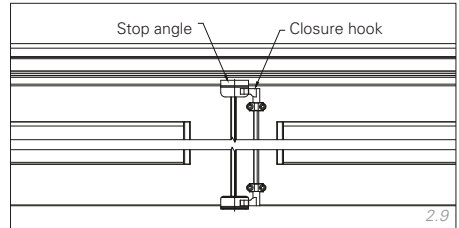
The customer installs the stop angles on the frame and the centre lock on the sash and the centre lock on the sash.

- ▶ Keep the locking elements of the Italian locking bar, the stop angles and N1 and N2 RIVETS required in this chapter on hand.



### Fastening the stop angles to the frame

- ▶ Position the two stop angles at the top/bottom on the frame so that the notch of the closure hook is flush with the outer edge of the stop angles.



- ▶ Mark each of the 2 fastening holes on the pre-drilled holes of the stop angles at the top/bottom.
- ▶ Drill fastening holes on the frame using a drill with  $\text{Ø}4.2 \text{ mm}$ .
- ▶ Fasten each stop angle with 2 N1 RIVETS at the top and bottom.

## Attaching the centre lock and the locking part

### NOTES

The centre lock is pushed onto the pre-mounted espagnolette. The fastening and operating height of the centre lock can be freely selected and is to be determined by the customer.

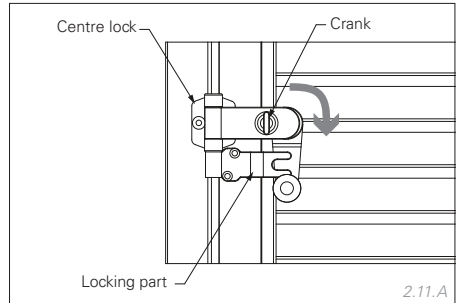
- ▶ Determine the desired operating height of the centre lock on the espagnolette.



- ▶ Mark the 2 fastening holes on the pre-drilled holes of the centre lock.
- ▶ Drill fastening holes on the sash using a drill with  $\text{Ø}4.2$  mm.
- ▶ Fasten the centre lock to the sash using 2 N2 RIVETS.

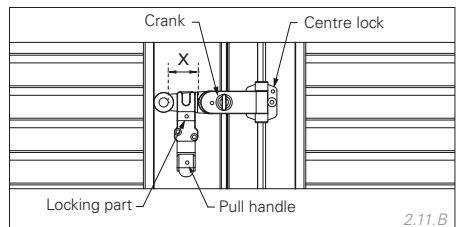
### Diagram 1L/1R, 2L/2R

- ▶ Position the locking part below the centre lock on the espagnolette.
- ▶ Pivot the crank 90° downwards into the fork of the locking part.
- ▶ Mark 2 fastening holes on the sash and drill them using a drill with  $\text{Ø}4.2$  mm.
- ▶ Fasten the locking part to the sash using 2 N2 RIVETS.



### Diagram 2, 3L/3R, 4

- ▶ Push the crank horizontally onto the adjacent sash.
- ▶ Put the locking part with pull handle over the crank and position it in the X area.
- ▶ Mark 2 fastening holes on the sash and drill them using a drill with  $\text{Ø}4.2$  mm.
- ▶ Fasten the locking part to the sash using 2 N2 RIVETS.



## **EHRET GmbH**

Aluminium shutters

Bahnhofstrasse 14–18

77972 Mahlberg, Germany

Tel. + 49 (0) 78 22/439-0

Fax + 49 (0) 78 22/439-116

[www.ehret.com](http://www.ehret.com)