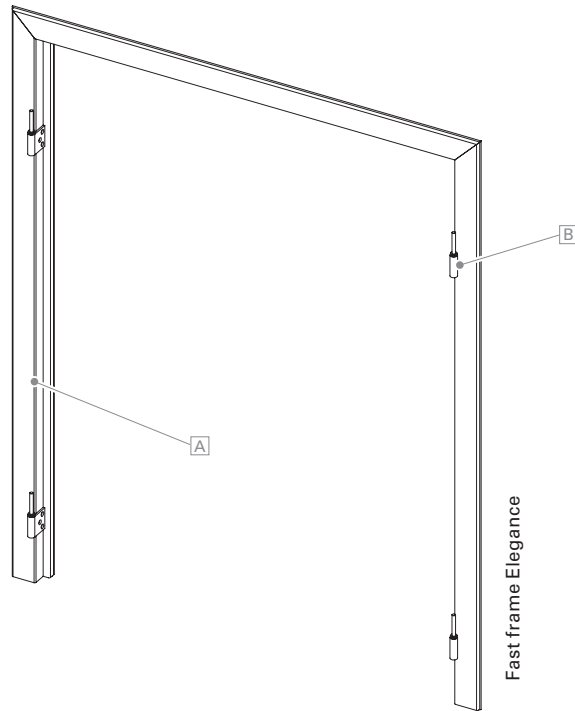


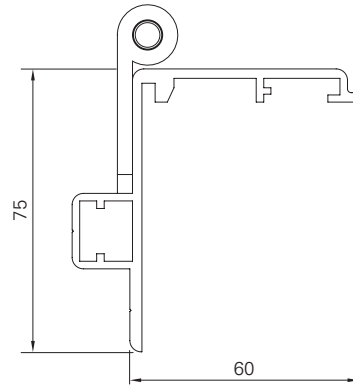
Fast frame Elegance



Surface	Fine structure matt (standard), silk gloss, matt Powder-coated 200 °C before assembly
Colours	RAL Classic, RAL Design, NCS, VSR
Finishes	Wood, stone, rust
Stop diagrams	1L/1R, 2L/2R, 2, 3L/3R, 4
Notes	3-sided frame A , loose Hinge leaves as brackets, installed B , without sash At a height over 2100 mm, 3 hinge leaves as brackets are used on each side



Frame profile



Z75

Min./max. dimensions	Width: 500 mm to 2800 mm Height: 800 mm to 2500 mm
Frame profile	75 × 60 mm extruded aluminium hollow chamber profile
Corner connections	Bolted aluminium bracket
Model selection	Models with Frame R75; Cannot be combined with moving or overlapping slats Cannot be combined with overlapping clamping profile (SRKÜ) Cannot be combined with model series BEAUNE and ISO
Options	Frame, 4-sided Frame extension Shutter closure Shutter lock Italian locking bar Shutter holder Sash lock