

## Aluminium window shutters

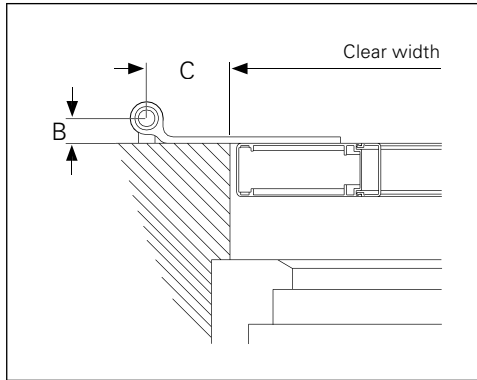
Clear build dimensions



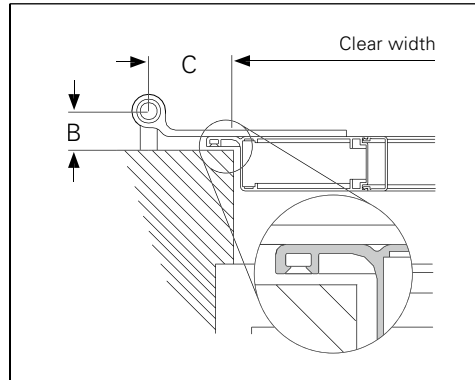
Order form and  
planning tool

# Measuring instructions

Installation type 1 butt in reveal



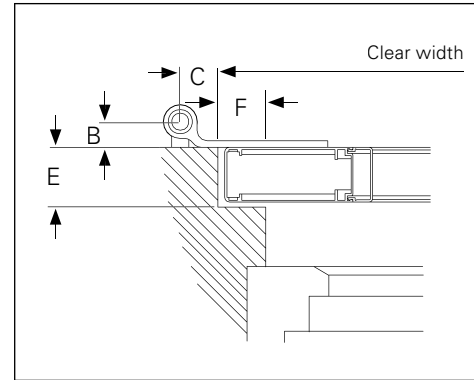
Installation type 2 butt with rabbet bead



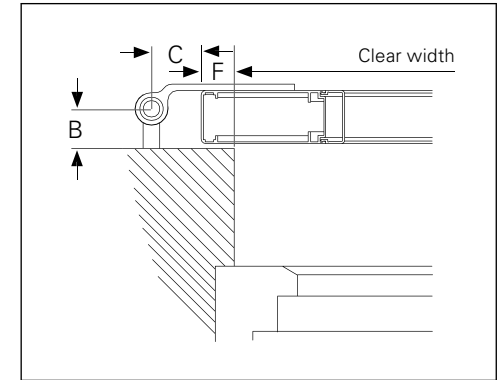
**Rabbet molding type:**

- Type 1: 3-sided (left, right and top)
- Type 2: 4-sided (left, right, top and bottom)
- Type 3: 1-sided (left)
- Type 4: 1-sided (right)
- Type 5: 1-sided (top)
- Type 6: 1-sided (bottom)
- Type 7: 2-sided (left and right)
- Type 8: 2-sided (top and bottom)
- Type 9: 2-sided (left and top)
- Type 10: 2-sided (right and top)

Installation type 3 in rabbet



Installation type 4 superjacent

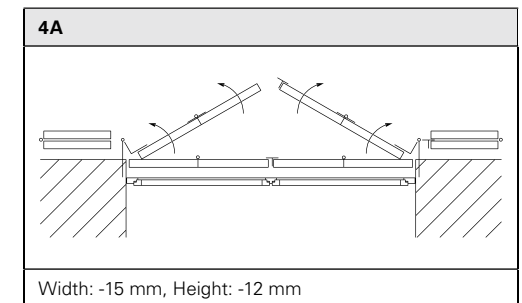
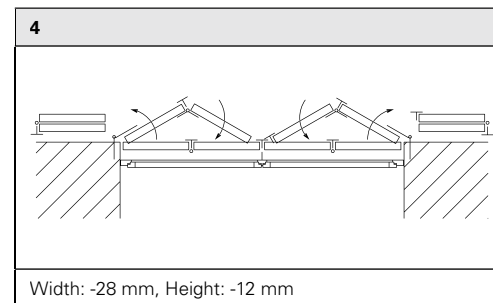
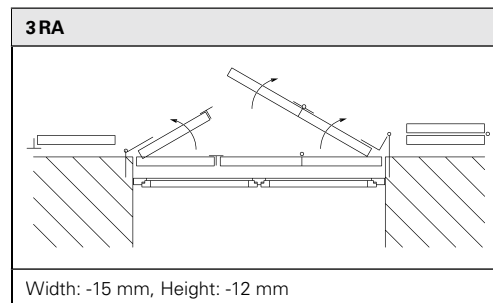
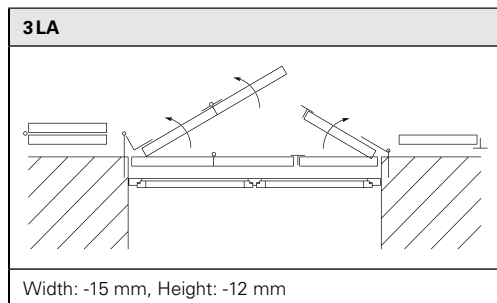
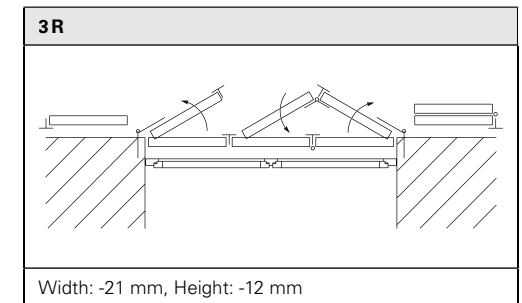
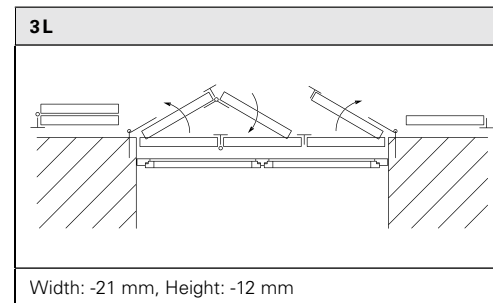
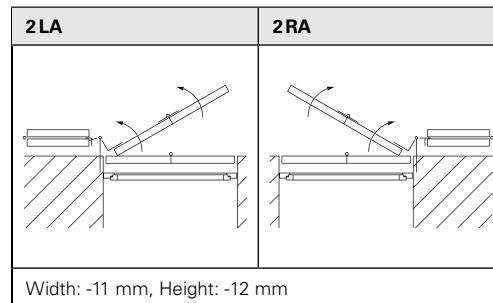
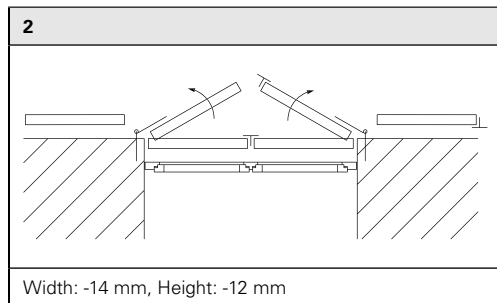
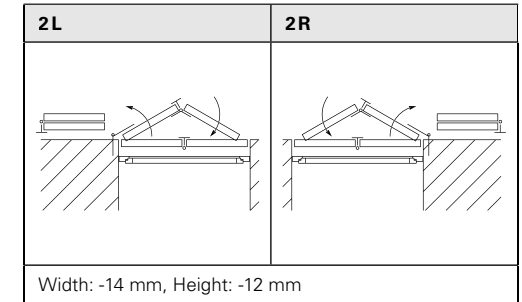
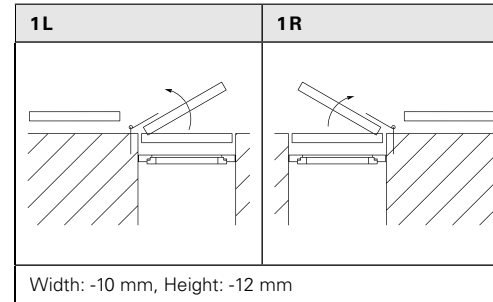


- The sketches show the most popular stop types and are designed to aid taking the measurements.
- The sashes are manufactured according to the specified production dimensions. We reserve the right to a production tolerance of 2 mm.
- The specified deduction clearances are taken into consideration as standard.
- To ensure the work is carried out quickly and smoothly, we recommend that you send us all orders on these order forms.

# Stop diagrams

Each view is from the inside!

The specified deduction clearances are taken into consideration as standard.  
 In round and pointed arches the deduction clearance in terms of height is -15 mm.



# Order form | Clear build dimensions

Date _____	Page _____ of _____	Consignment _____
Your address and signature _____		Window shutter model _____
_____		Split with combi models _____
Your customer number _____		Installation type (1-3) _____
Your processor _____		Ocean Line plus <input type="checkbox"/> yes
Preferred delivery date _____		

	<input type="checkbox"/> OFFER	<input type="checkbox"/> ORDER
	Surface	Colour system
	Colour no.	
Frame	<input type="checkbox"/> FSM	<input type="checkbox"/> RAL
	<input type="checkbox"/> Silk gloss	<input type="checkbox"/> NCS
	<input type="checkbox"/> Wood finish	<input type="checkbox"/> VSR
		<input type="checkbox"/> Various
Insert	<input type="checkbox"/> FSM	<input type="checkbox"/> RAL
	<input type="checkbox"/> Silk gloss	<input type="checkbox"/> NCS
	<input type="checkbox"/> Wood finish	<input type="checkbox"/> VSR
		<input type="checkbox"/> Various
Fittings	<input type="checkbox"/> FSM	<input type="checkbox"/> RAL
	<input type="checkbox"/> Silk gloss	<input type="checkbox"/> NCS
		<input type="checkbox"/> VSR
		<input type="checkbox"/> Various



**EHRET GmbH**  
 Bahnhofstrasse 14-18  
 D-77972 Mahlberg  
 Tel. + 49 (0) 78 22/439-0  
 Fax + 49 (0) 78 22/439-217  
[www.ehret.com](http://www.ehret.com)

Shutters									Fittings		
Clear build dimensions											
Item	Quantity Elements	Stop diagram	Sashes in total	Width	Height	Rabbit bead type no. (1-10)	T-bead	Miscellaneous	Pc.	Art. no.	Designation
							<input type="checkbox"/>				
							<input type="checkbox"/>				
							<input type="checkbox"/>				
							<input type="checkbox"/>				
							<input type="checkbox"/>				
							<input type="checkbox"/>				
							<input type="checkbox"/>				
							<input type="checkbox"/>				
							<input type="checkbox"/>				
							<input type="checkbox"/>				
							<input type="checkbox"/>				
							<input type="checkbox"/>				
							<input type="checkbox"/>				
							<input type="checkbox"/>				
							<input type="checkbox"/>				
							<input type="checkbox"/>				
							<input type="checkbox"/>				
							<input type="checkbox"/>				
							<input type="checkbox"/>				
							<input type="checkbox"/>				
							<input type="checkbox"/>				



**EHRET GmbH**

Bahnhofstrasse 14-18

D-77972 Mahlberg

Tel. +49(0) 78 22/439-0

Fax +49(0) 78 22/439-116

[www.ehret.com](http://www.ehret.com)

Made in Germany

© 02.2016 EHRET GmbH | F01.E | Subject to technical modifications