

## Aluminium window shutters

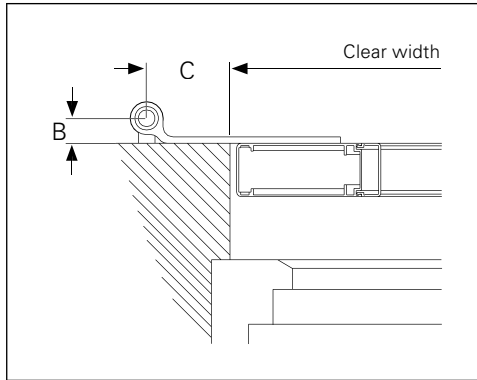
Clear build dimensions



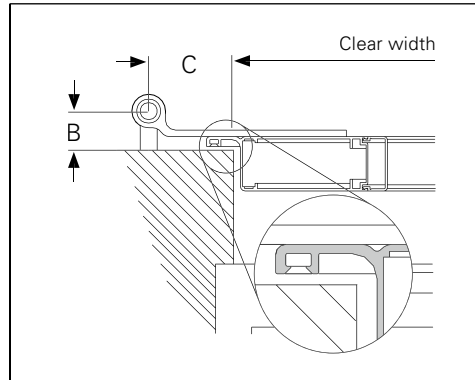
Order form and  
planning tool

# Measuring instructions

Installation type 1 butt in reveal



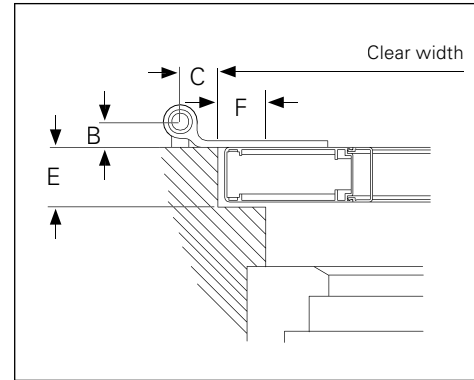
Installation type 2 butt with rabbet bead



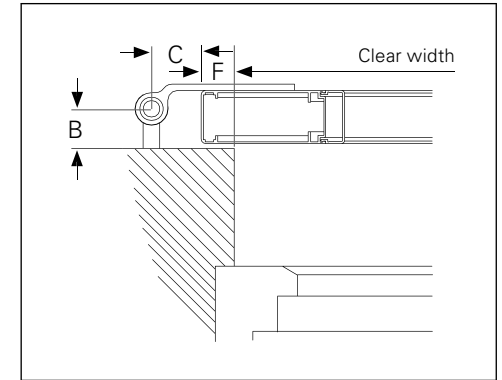
**Rabbet molding type:**

- Type 1: 3-sided (left, right and top)
- Type 2: 4-sided (left, right, top and bottom)
- Type 3: 1-sided (left)
- Type 4: 1-sided (right)
- Type 5: 1-sided (top)
- Type 6: 1-sided (bottom)
- Type 7: 2-sided (left and right)
- Type 8: 2-sided (top and bottom)
- Type 9: 2-sided (left and top)
- Type 10: 2-sided (right and top)

Installation type 3 in rabbet



Installation type 4 superjacent

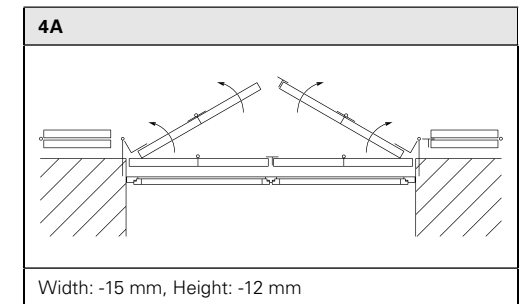
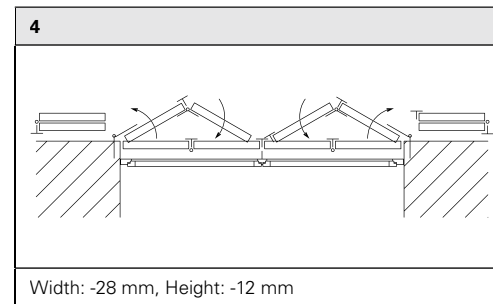
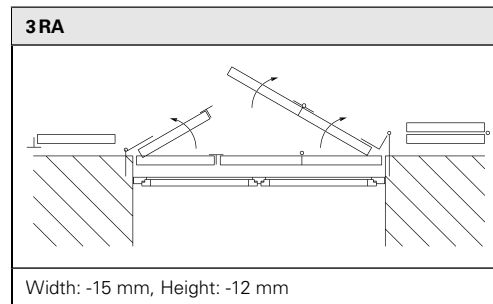
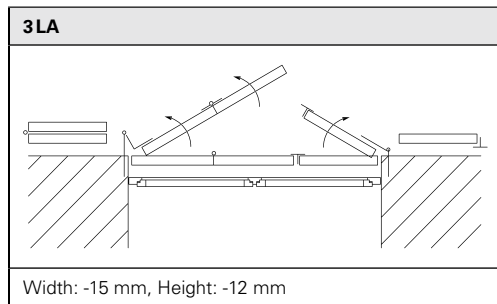
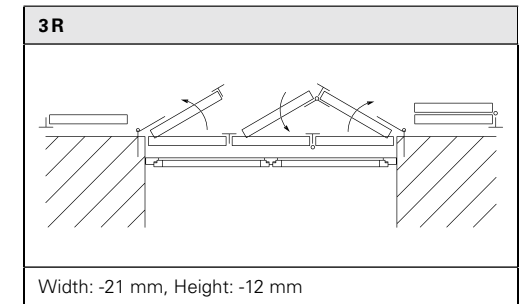
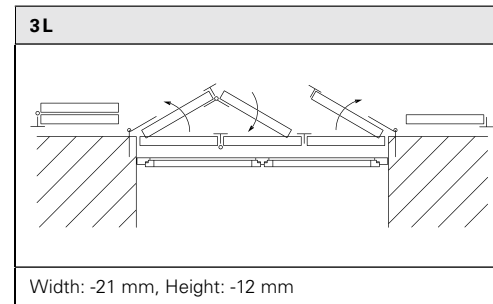
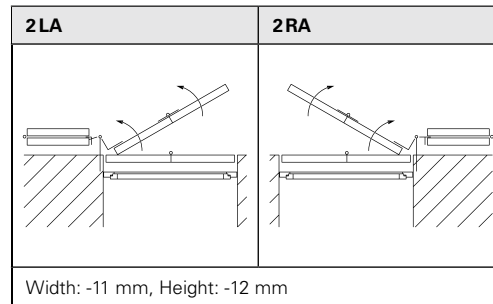
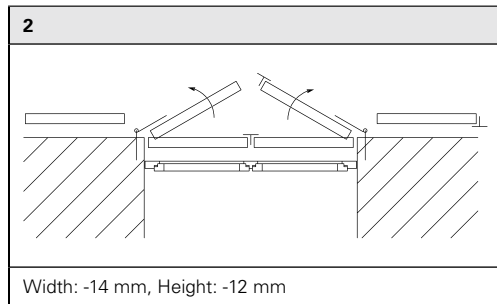
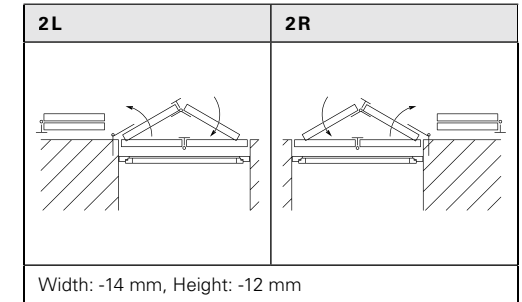
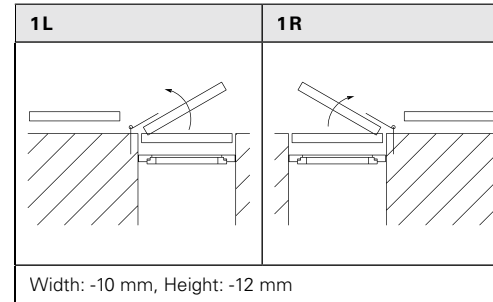


- The sketches show the most popular stop types and are designed to aid taking the measurements.
- The sashes are manufactured according to the specified production dimensions. We reserve the right to a production tolerance of 2 mm.
- The specified deduction clearances are taken into consideration as standard.
- To ensure the work is carried out quickly and smoothly, we recommend that you send us all orders on these order forms.

# Stop diagrams

Each view is from the inside!

The specified deduction clearances are taken into consideration as standard.  
 In round and pointed arches the deduction clearance in terms of height is -15 mm.



# Order form | Clear build dimensions

Date	Page	of	Consignment
Your address and signature			Window shutter model
Your customer number			Installation type (1-3)
Your processor			Ocean Line plus <input type="checkbox"/> yes
Preferred delivery date			

	<input type="checkbox"/> OFFER	<input type="checkbox"/> ORDER
Surface	Colour system	Colour no.
Frame	<input type="checkbox"/> FSM	<input type="checkbox"/> RAL
	<input type="checkbox"/> Wood finish	<input type="checkbox"/> NCS
	<input type="checkbox"/> Various	<input type="checkbox"/> VSR
Insert	<input type="checkbox"/> FSM	<input type="checkbox"/> RAL
	<input type="checkbox"/> Wood finish	<input type="checkbox"/> NCS
	<input type="checkbox"/> Various	<input type="checkbox"/> VSR
Fittings	<input type="checkbox"/> FSM	<input type="checkbox"/> RAL
	<input type="checkbox"/> Various	<input type="checkbox"/> NCS
		<input type="checkbox"/> VSR



Tel. +49(0)78 22/439-0  
 Fax +49(0)78 22/439-217  
 www.ehret.com


**Follow-up order**  
*The original order no. must be specified in the event of follow-up deliveries:*

--

Shutters									Fittings			
Item	Quantity Elements	Stop diagram	Sashes in total	Clear build dimensions				T-bead	Miscellaneous	Pc.	Art. no.	Designation
				Width	Height	Rabbit bead type no. (1-10)						
							<input type="checkbox"/>					
							<input type="checkbox"/>					
							<input type="checkbox"/>					
							<input type="checkbox"/>					
							<input type="checkbox"/>					
							<input type="checkbox"/>					
							<input type="checkbox"/>					
							<input type="checkbox"/>					
							<input type="checkbox"/>					
							<input type="checkbox"/>					
							<input type="checkbox"/>					
							<input type="checkbox"/>					
							<input type="checkbox"/>					

# Additional information | **Clear dimensions**

Date \_\_\_\_\_ Page \_\_\_\_\_ of \_\_\_\_\_ Consignment \_\_\_\_\_ Your customer number \_\_\_\_\_

Item	Additional information

**EHRET GmbH**

Bahnhofstrasse 14-18

D-77972 Mahlberg

Tel. +49(0) 78 22/439-0

Fax +49(0) 78 22/439-116

[www.ehret.com](http://www.ehret.com)

Made in Germany

© 05.2019 EHRET GmbH | F01.E | Subject to technical modifications