

## Aluminium window shutters

Pre-installation – clear build dimensions

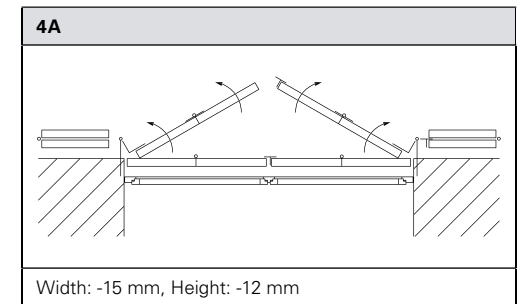
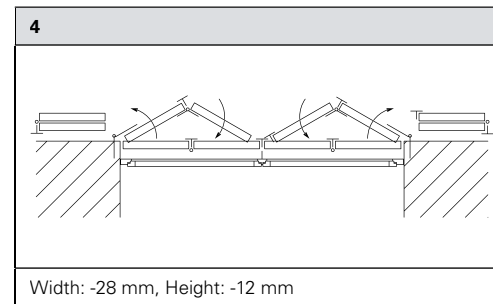
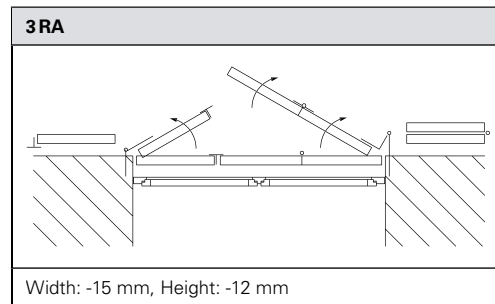
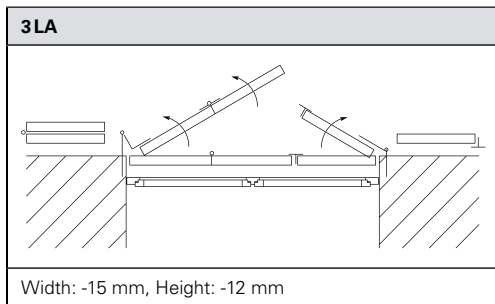
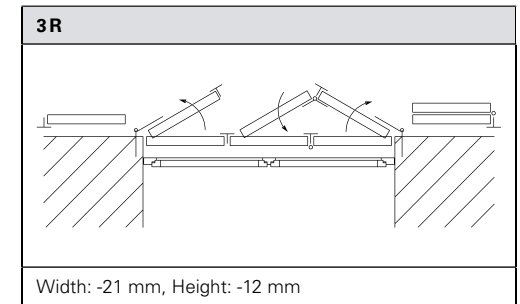
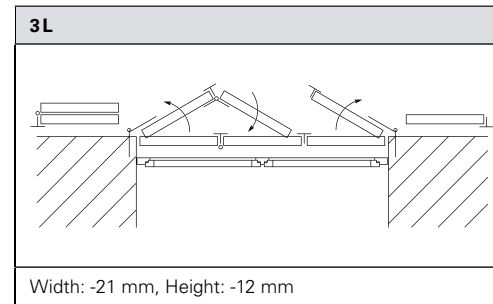
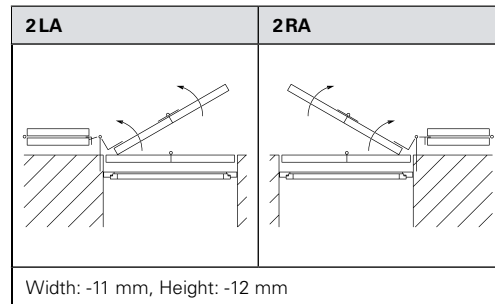
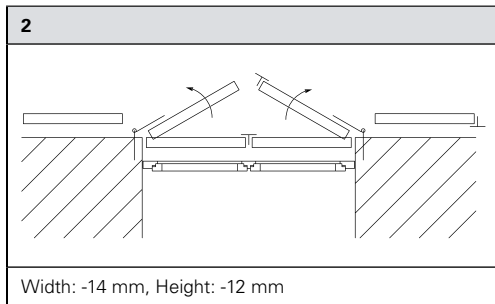
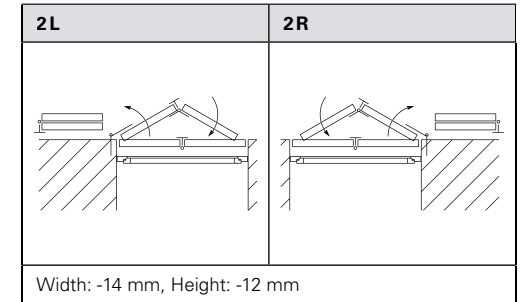
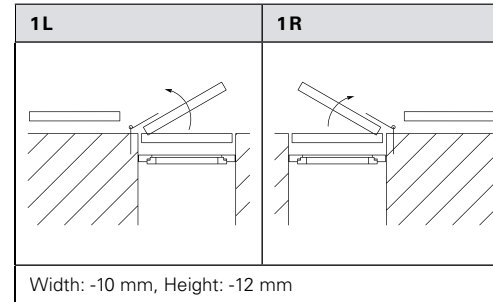


Order form and  
planning tool

# Stop diagrams

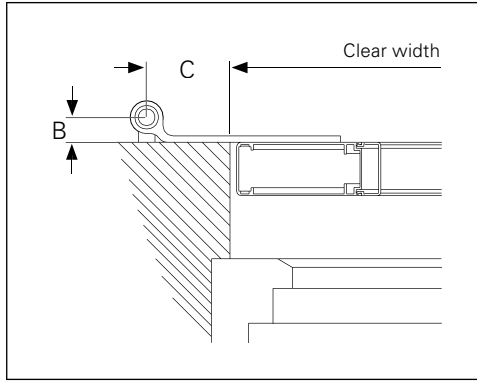
Each view is from the inside!

The specified deduction clearances are taken into consideration as standard.  
 In round and pointed arches the deduction clearance in terms of height is -15 mm.

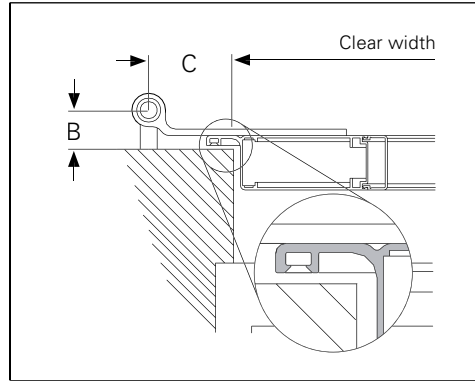


# Measuring instructions

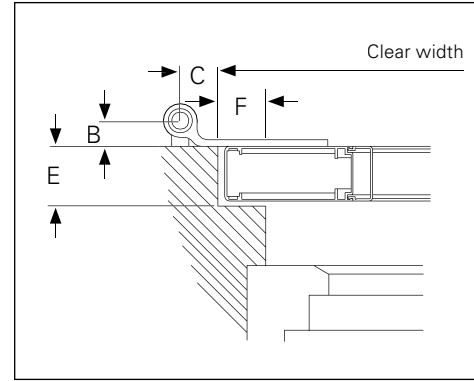
Installation type 1 butt in reveal



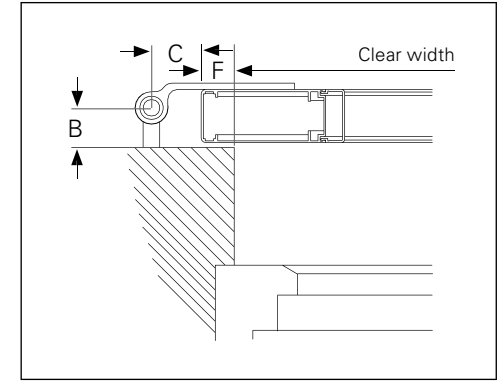
Installation type 2 butt with rabbet bead



Installation type 3 in rabbet



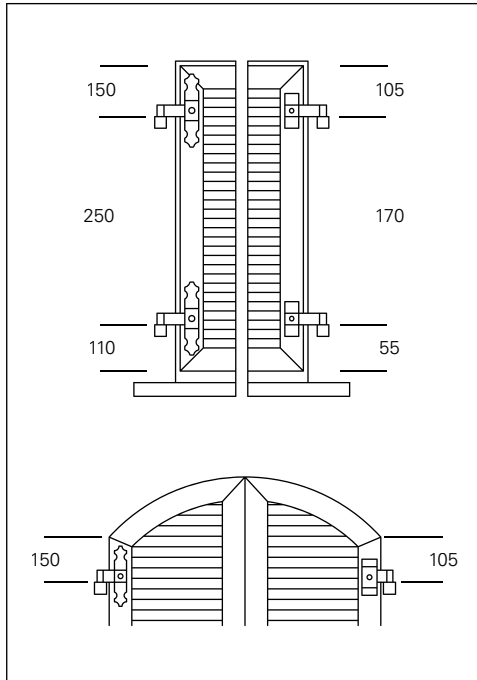
Installation type 4 superjacent



Rabbet molding type	sides	left	right	top	bottom
1	3	x	x	x	
2	4	x	x	x	x
3	1	x			
4	1		x		
5	1			x	
6	1				x
7	2	x	x		
8	2			x	x
9	2	x		x	
10	2		x	x	

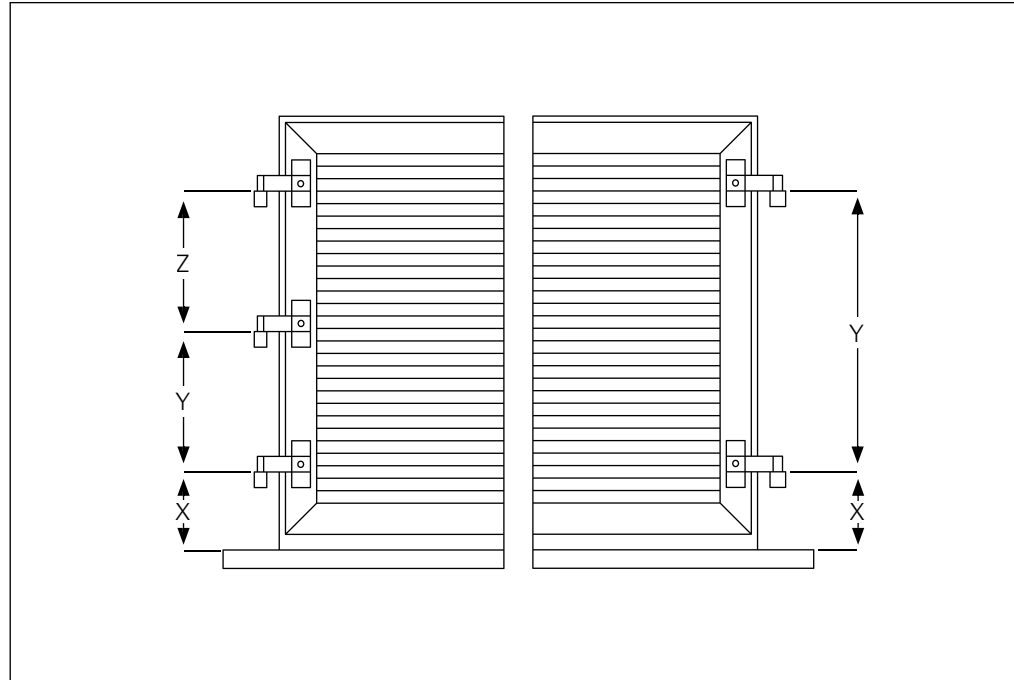
# Measuring instructions

## Minimum dimensions



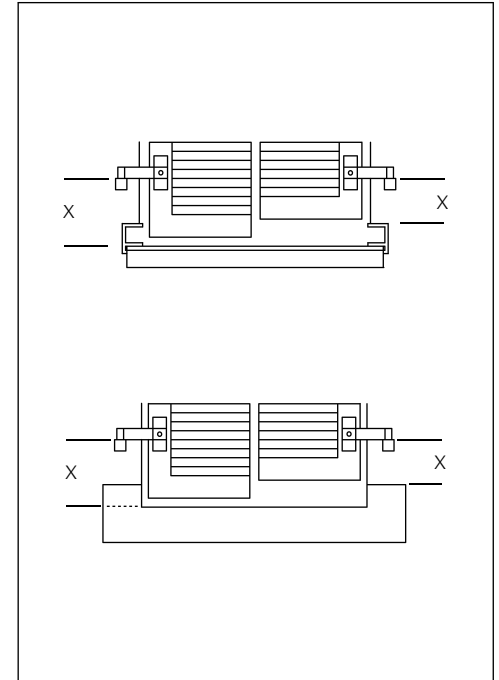
- Including 20 mm adjustment range (specifications in mm)

## Dimensions X, Y, Z



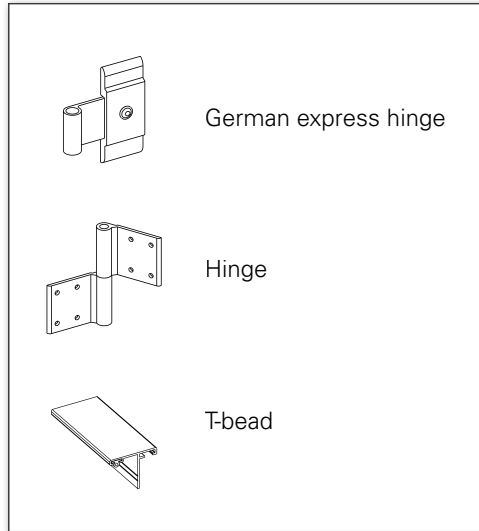
- 2 hinges are always installed in all double sashes.
- The dimensions X, Y, Z relate to the position of the hinges on the bracket.
- X is the measurement from the lower edge clear dimension to the lower edge of the hinge.
- A gap of 6 mm at the bottom is taken into consideration ex-works.

## More examples of X dimensions

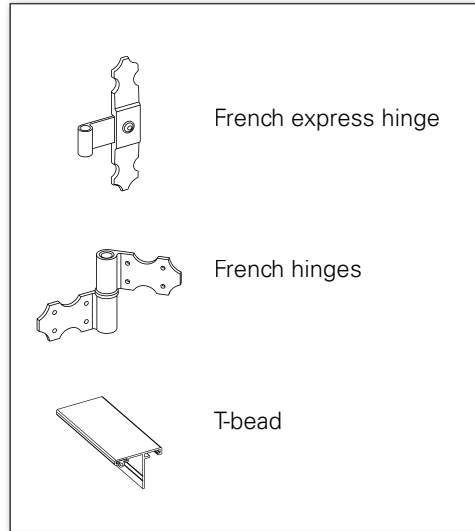


# Pre-installation packages

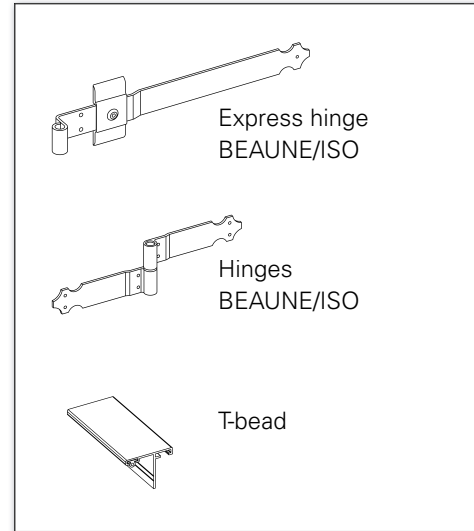
Paket 1 german



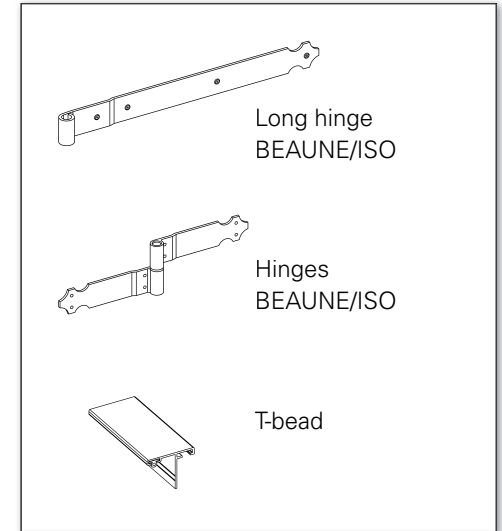
Paket 2 french



Paket 3 BEAUNE/ISO



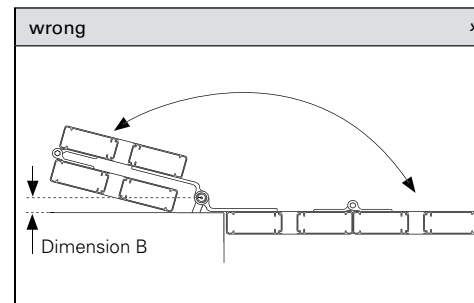
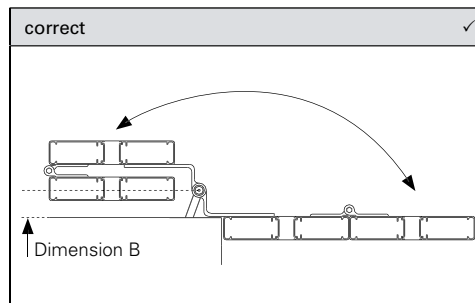
Paket 4 new installation



- only for new installation as per EHRET standard dimensions

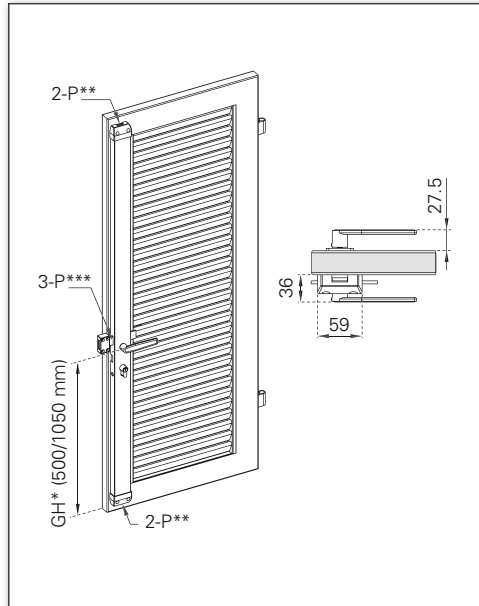
## Stop diagrams 2 LA/2 RA, 3 LA/3 RA, 4 A

- ▶ Dimension B (installation type) – check that there is sufficient clearance to the wall when open (see adjacent drawing)
- ▶ Dimension B will not be checked for this function!

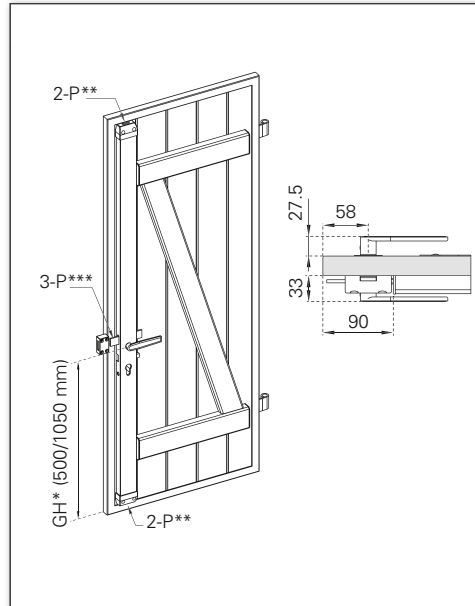


# Pre-installation | Options and accessories

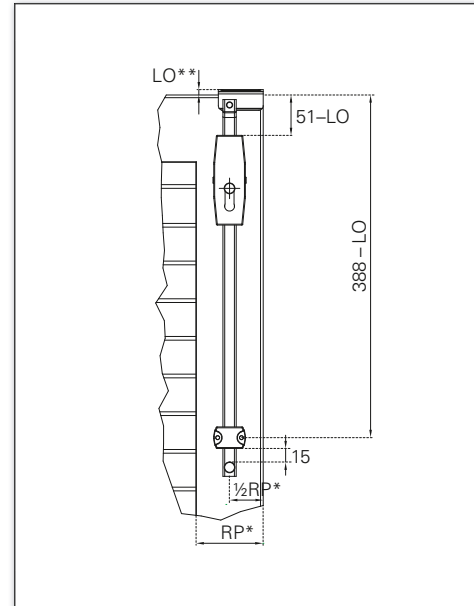
Add-on lock | R75 frame



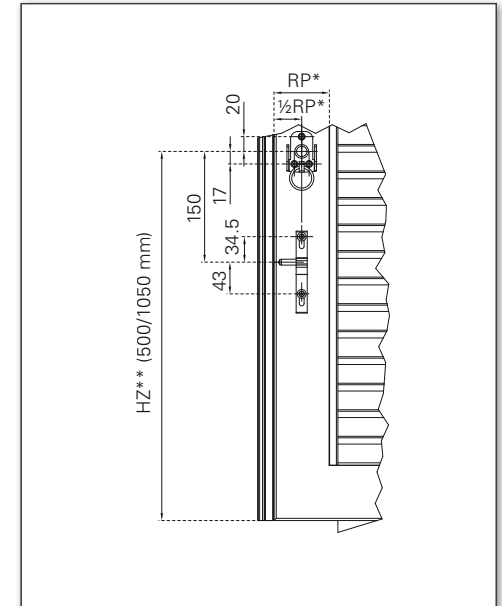
Add-on lock | BEAUNE/ISO



Fastening shutter bolt T20



Fastening accessories



\*GH = Handle height (Standard 500/1050 mm)

\*\*2-P = 2-points lock

\*\*\*3-P = 3-points lock

- Installation type 3 (in rabbet) only with diagram 2, 3L/3R, 3LA/3RA, 4.

\*GH = Handle height (Standard 500/1050 mm)

\*\*2-P = 2-points lock

\*\*\*3-P = 3-points lock

- Installation type 3 (in rabbet) only with diagram 2, 3L/3R, 3LA/3RA, 4.

Example: Installation type 1+2, shutter bolt L = 420 mm

\*RP = Width of frame profile (R75/R60/R48)

\*\*LO = Air above (Standard 6 mm)

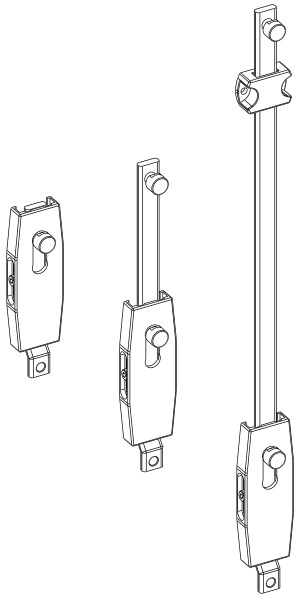
- Standard fastening width for accessories: central to the width of the frame profile (1/2 RP).
- For installation type 3 + 4, dimension F (see dimensional instructions) is taken into account and the shutter holder for doors, handle and lock is installed offset if necessary.

\*RP = Width of frame profile (R75/R60/R48)

\*\*HZ = Height for accessories (Standard 500/1050 mm)

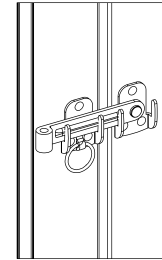
- Standard fastening width for accessories: central to the width of the frame profile (1/2 RP).
- If the shutter holder is combined with another pre-mounted fitting, the shutter holder is shifted downwards by 150 mm.
- For installation type 3 + 4, dimension F (see dimensional instructions) is taken into account and the shutter holder for doors, handle and lock is installed offset

## Pre-installation | Options and accessories



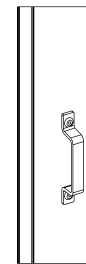
Pre-installation shutter bolt T20

120 mm, straight	935360
120 mm, offset	935361
220 mm, straight	935362
220 mm, offset	935363
420 mm, straight	935364
420 mm, offset	935365



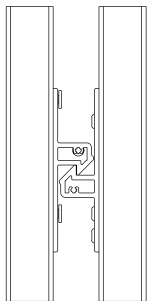
Pre-installation shutter closure with pull ring

935315



Pre-installation handle

935305



Pre-installation shutter support for doors

935803



Pre-installation aluminium Tubtara rivet M 6

935002

# Order form | Pre-installation – clear build dimensions

Date \_\_\_\_\_ Page \_\_\_\_\_ of \_\_\_\_\_

Your address and signature \_\_\_\_\_

Consignment \_\_\_\_\_

Window shutter model \_\_\_\_\_

### Pre-installation

- |   |   |
|---|---|
| <i>complete package</i>                           | <i>only hinges</i>                        |
| <input type="checkbox"/> 1 (german)               | <input type="checkbox"/> german           |
| <input type="checkbox"/> 2 (french)               | <input type="checkbox"/> french           |
| <input type="checkbox"/> 3 (BEAUNE/ISO)           | <input type="checkbox"/> BEAUNE/ISO       |
| <input type="checkbox"/> 4 (new installation)     | <input type="checkbox"/> new installation |
| <input type="checkbox"/> without pre-installation |   |

Mount T-bead  yes

Ocean Line plus  yes

Your customer number \_\_\_\_\_

Your processor \_\_\_\_\_

Preferred delivery date \_\_\_\_\_

	<input type="checkbox"/> OFFER	<input type="checkbox"/> ORDER
	Surface	Colour system
	Colour no.	
Frame	<input type="checkbox"/> FSM	<input type="checkbox"/> RAL
	<input type="checkbox"/> Wood finish	<input type="checkbox"/> NCS
	<input type="checkbox"/> Various	<input type="checkbox"/> VSR
Insert	<input type="checkbox"/> FSM	<input type="checkbox"/> RAL
	<input type="checkbox"/> Wood finish	<input type="checkbox"/> NCS
	<input type="checkbox"/> Various	<input type="checkbox"/> VSR
Fittings	<input type="checkbox"/> FSM	<input type="checkbox"/> RAL
	<input type="checkbox"/> Various	<input type="checkbox"/> NCS
		<input type="checkbox"/> VSR



Tel. +49 (0) 78 22/439-0  
 Fax +49 (0) 78 22/439-217  
 www.ehret.com

<input type="checkbox"/> <b>Follow-up order</b>
<i>The original order no. must be specified in the event of follow-up deliveries:</i>

▶ Please enter the fittings on the extra pages

Position	Number of elements	Stop diagram	Sashes in total	Installation type	Bracket Ø	Clear build dimensions		Rabbit molding type no.	Horizontal cross-panel	Pre-installation		LEFT viewed from inside						RIGHT viewed from inside																						
						Clear width	Clear height			Rod closure Ambiente	Differing handle height Standard 500/1050 mm	X	Y	Z	B	C	E	F	X	Y	Z	B	C	E	F															
										<input type="checkbox"/>																														
										<input type="checkbox"/>																														
										<input type="checkbox"/>																														
										<input type="checkbox"/>																														
										<input type="checkbox"/>																														
										<input type="checkbox"/>																														
										<input type="checkbox"/>																														
										<input type="checkbox"/>																														
										<input type="checkbox"/>																														
										<input type="checkbox"/>																														
										<input type="checkbox"/>																														



# Order form | Pre-installation – clear build dimensions

Date \_\_\_\_\_ Page \_\_\_\_\_ of \_\_\_\_\_ Consignment \_\_\_\_\_ Your customer number \_\_\_\_\_

Position	Number of elements	Stop diagram	Sashes in total	Installation type	Bracket Ø	Clear build dimensions		Rabbit molding type no.	Horizontal cross-panel	Pre-installation	LEFT viewed from inside				RIGHT viewed from inside																									
						Clear width	Clear height				Rod closure Ambiente	Differing handle height <small>Standard 500/1050 mm</small>	X	Y	Z	B	C	E	F	X	Y	Z	B	C	E	F														
										<input type="checkbox"/>																														
										<input type="checkbox"/>																														
										<input type="checkbox"/>																														
										<input type="checkbox"/>																														
										<input type="checkbox"/>																														
										<input type="checkbox"/>																														
										<input type="checkbox"/>																														
										<input type="checkbox"/>																														
										<input type="checkbox"/>																														
										<input type="checkbox"/>																														
										<input type="checkbox"/>																														
										<input type="checkbox"/>																														
										<input type="checkbox"/>																														
										<input type="checkbox"/>																														
										<input type="checkbox"/>																														
										<input type="checkbox"/>																														
										<input type="checkbox"/>																														
										<input type="checkbox"/>																														
										<input type="checkbox"/>																														
										<input type="checkbox"/>																														

Additional information | Pre-installation | Options and accessories (pre-installed)



Date \_\_\_\_\_ Page \_\_\_\_\_ of \_\_\_\_\_ Consignment \_\_\_\_\_ Your customer number \_\_\_\_\_

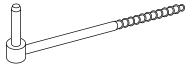
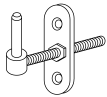
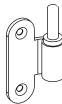

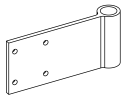
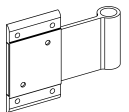
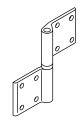
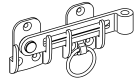
Pos.	Add-on lock*				Window	Door	Shutter bolt T20						Accessories*				Differing handle height	Additional information	
	2-points lock	3-points lock	Handle on the outside with profile cylinder				straight	offset	120 mm	220 mm	420 mm	upwards	downwards	Shutter holder for doors	Shutter closure (with pull ring)	Handle			Tubtara rivet for hooks
	<input type="checkbox"/>	<input type="checkbox"/>	<input type="checkbox"/>	<input type="checkbox"/>	<input type="checkbox"/>	<input type="checkbox"/>	<input type="checkbox"/>	<input type="checkbox"/>	<input type="checkbox"/>	<input type="checkbox"/>	<input type="checkbox"/>	<input type="checkbox"/>	<input type="checkbox"/>	<input type="checkbox"/>	<input type="checkbox"/>	<input type="checkbox"/>	<input type="checkbox"/>		
	<input type="checkbox"/>	<input type="checkbox"/>	<input type="checkbox"/>	<input type="checkbox"/>	<input type="checkbox"/>	<input type="checkbox"/>	<input type="checkbox"/>	<input type="checkbox"/>	<input type="checkbox"/>	<input type="checkbox"/>	<input type="checkbox"/>	<input type="checkbox"/>	<input type="checkbox"/>	<input type="checkbox"/>	<input type="checkbox"/>	<input type="checkbox"/>	<input type="checkbox"/>		
	<input type="checkbox"/>	<input type="checkbox"/>	<input type="checkbox"/>	<input type="checkbox"/>	<input type="checkbox"/>	<input type="checkbox"/>	<input type="checkbox"/>	<input type="checkbox"/>	<input type="checkbox"/>	<input type="checkbox"/>	<input type="checkbox"/>	<input type="checkbox"/>	<input type="checkbox"/>	<input type="checkbox"/>	<input type="checkbox"/>	<input type="checkbox"/>	<input type="checkbox"/>		
	<input type="checkbox"/>	<input type="checkbox"/>	<input type="checkbox"/>	<input type="checkbox"/>	<input type="checkbox"/>	<input type="checkbox"/>	<input type="checkbox"/>	<input type="checkbox"/>	<input type="checkbox"/>	<input type="checkbox"/>	<input type="checkbox"/>	<input type="checkbox"/>	<input type="checkbox"/>	<input type="checkbox"/>	<input type="checkbox"/>	<input type="checkbox"/>	<input type="checkbox"/>		
	<input type="checkbox"/>	<input type="checkbox"/>	<input type="checkbox"/>	<input type="checkbox"/>	<input type="checkbox"/>	<input type="checkbox"/>	<input type="checkbox"/>	<input type="checkbox"/>	<input type="checkbox"/>	<input type="checkbox"/>	<input type="checkbox"/>	<input type="checkbox"/>	<input type="checkbox"/>	<input type="checkbox"/>	<input type="checkbox"/>	<input type="checkbox"/>	<input type="checkbox"/>		
	<input type="checkbox"/>	<input type="checkbox"/>	<input type="checkbox"/>	<input type="checkbox"/>	<input type="checkbox"/>	<input type="checkbox"/>	<input type="checkbox"/>	<input type="checkbox"/>	<input type="checkbox"/>	<input type="checkbox"/>	<input type="checkbox"/>	<input type="checkbox"/>	<input type="checkbox"/>	<input type="checkbox"/>	<input type="checkbox"/>	<input type="checkbox"/>	<input type="checkbox"/>		
	<input type="checkbox"/>	<input type="checkbox"/>	<input type="checkbox"/>	<input type="checkbox"/>	<input type="checkbox"/>	<input type="checkbox"/>	<input type="checkbox"/>	<input type="checkbox"/>	<input type="checkbox"/>	<input type="checkbox"/>	<input type="checkbox"/>	<input type="checkbox"/>	<input type="checkbox"/>	<input type="checkbox"/>	<input type="checkbox"/>	<input type="checkbox"/>	<input type="checkbox"/>		
	<input type="checkbox"/>	<input type="checkbox"/>	<input type="checkbox"/>	<input type="checkbox"/>	<input type="checkbox"/>	<input type="checkbox"/>	<input type="checkbox"/>	<input type="checkbox"/>	<input type="checkbox"/>	<input type="checkbox"/>	<input type="checkbox"/>	<input type="checkbox"/>	<input type="checkbox"/>	<input type="checkbox"/>	<input type="checkbox"/>	<input type="checkbox"/>	<input type="checkbox"/>		
	<input type="checkbox"/>	<input type="checkbox"/>	<input type="checkbox"/>	<input type="checkbox"/>	<input type="checkbox"/>	<input type="checkbox"/>	<input type="checkbox"/>	<input type="checkbox"/>	<input type="checkbox"/>	<input type="checkbox"/>	<input type="checkbox"/>	<input type="checkbox"/>	<input type="checkbox"/>	<input type="checkbox"/>	<input type="checkbox"/>	<input type="checkbox"/>	<input type="checkbox"/>		
	<input type="checkbox"/>	<input type="checkbox"/>	<input type="checkbox"/>	<input type="checkbox"/>	<input type="checkbox"/>	<input type="checkbox"/>	<input type="checkbox"/>	<input type="checkbox"/>	<input type="checkbox"/>	<input type="checkbox"/>	<input type="checkbox"/>	<input type="checkbox"/>	<input type="checkbox"/>	<input type="checkbox"/>	<input type="checkbox"/>	<input type="checkbox"/>	<input type="checkbox"/>		

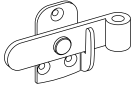

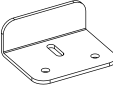
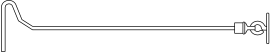

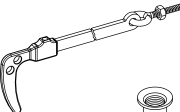



\*Standard fastening height for accessories: 500/1050 mm.  
If the shutter holder is combined with another pre-mounted fitting, the shutter holder is shifted downwards by 150 mm.

Pos.	Additional information

Order form | Pre-installation – clear build dimensions | Fittings (not preinstalled)

Date \_\_\_\_\_ Page \_\_\_\_\_ of \_\_\_\_\_ Consignment \_\_\_\_\_ Your customer number \_\_\_\_\_

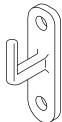




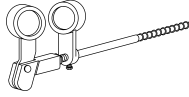
Article designation	Paint	Dimension	Qty.	Art. no.
 <b>Screw bracket</b> <input type="checkbox"/> M10 <input type="checkbox"/> ISO <input type="checkbox"/> Wood	<input type="checkbox"/>	L = L =		
 <b>Plate bracket</b> 20–130 mm	<input type="checkbox"/>	H =		
 <b>Plate bracket</b> Offset to side	<input type="checkbox"/>	H = H = H =		
 <b>Reduction sleeves</b> 7–13 mm				
 <input type="checkbox"/> Universal hinge   <input type="checkbox"/> Cross hinge	<input checked="" type="checkbox"/>	K = L = K = L = K = L = K = L =		
 <b>Hinge</b>	<input checked="" type="checkbox"/>	<input type="checkbox"/> Offset <input type="checkbox"/> Straight		5151 5150
 <b>Shutter closure with pull ring</b>	<input checked="" type="checkbox"/>			5315

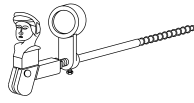
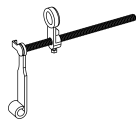


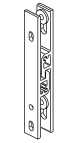

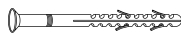

Article designation	Paint	Dimension	Qty.	Art. no.
 <b>Shutter closure from inside</b>	<input checked="" type="checkbox"/>	<input type="checkbox"/> Left (fig.) <input type="checkbox"/> Right		5335 5334
 <b>Bolt</b> <input type="checkbox"/> Offset <input type="checkbox"/> Straight	<input checked="" type="checkbox"/>	L = L =		
 <b>Bolt stop</b> L = 50/100 mm	<input type="checkbox"/>	L =		
 <b>Storm hook</b>	<input checked="" type="checkbox"/>			5400
 <b>Handle</b>	<input checked="" type="checkbox"/>			5305
 <b>Pull hook</b>	<input checked="" type="checkbox"/>			5503
 <b>Tubtara rivet</b>				10002
 <b>Hook guard</b>				5502
 <b>Hook coupling</b>	<input checked="" type="checkbox"/>			5501

# Order form | Pre-installation – clear build dimensions | Fittings (not preinstalled)



Date \_\_\_\_\_ Page \_\_\_\_\_ of \_\_\_\_\_ Consignment \_\_\_\_\_ Your customer number \_\_\_\_\_

Article designation	Paint	Dimension	Qty.	Art. no.
 <p>Angle bracket <input type="checkbox"/> Colour no.</p>	<input type="checkbox"/>			
 <p>Catch <input type="checkbox"/> Colour no.</p>	<input type="checkbox"/>			
<p>Shutter arrester rod</p>  <input type="checkbox"/>	<input checked="" type="checkbox"/>	L =		
		L =		
		L =		
<p>JVH shutter arrester rod</p>  <input type="checkbox"/>	<input checked="" type="checkbox"/>	L =		
		L =		
		L =		
<p>Blind rod</p> 	<input type="checkbox"/>	L =		
		L =		
		L =		
		L =		
		L =		
 <p>Shutter holder <input type="checkbox"/> M10 <input type="checkbox"/> ISO <input type="checkbox"/> Wood</p>	<input type="checkbox"/>	<input type="checkbox"/> Single		
		<input type="checkbox"/> Double		

Article designation	Paint	Dimension	Qty.	Art. no.
 <p>Lady head shutter holder <input type="checkbox"/> M10 <input type="checkbox"/> ISO <input type="checkbox"/> Wood</p>	<input type="checkbox"/>	<input type="checkbox"/> Single		
		<input type="checkbox"/> Double		
 <p>Sash lock <input type="checkbox"/> M10 <input type="checkbox"/> ISO</p>	<input type="checkbox"/>	<input type="checkbox"/> Single		
		<input type="checkbox"/> Double		
 <p>Scraper plate</p>	<input checked="" type="checkbox"/>			4370
 <p>Screw-on plate <input type="checkbox"/> M10 <input type="checkbox"/> 10.5 <input type="checkbox"/> With screw holes</p>	<input type="checkbox"/>			
 <p>Shutter support for doors <input type="checkbox"/> 17 mm <input type="checkbox"/> 30 mm <input type="checkbox"/> 40 mm</p>	<input checked="" type="checkbox"/>			
 <p>Rivets</p>	<input checked="" type="checkbox"/>			
 <p>Dowel</p>				10018
 <p>Touch-up paint in RAL colours, 12 ml</p>				5000
Miscellaneous				

**EHRET GmbH**

Bahnhofstrasse 14-18

77972 Mahlberg, Germany

Tel. +49(0) 78 22/439-0

Fax +49(0) 78 22/439-116

[www.ehret.com](http://www.ehret.com)

Made in Germany

© 02.2022 EHRET GmbH | F02.E | Subject to technical modifications