

Aluminium edge frame

Installation frames / Frames



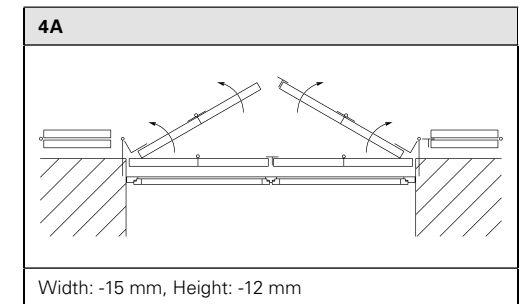
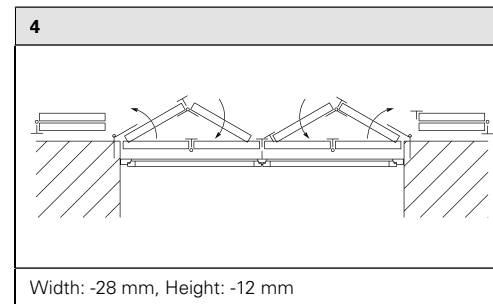
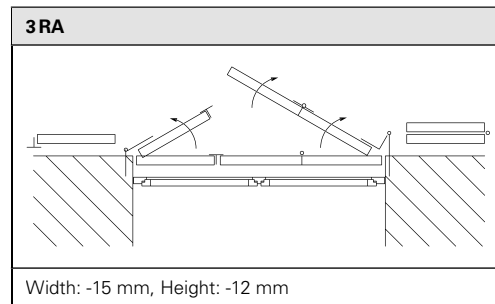
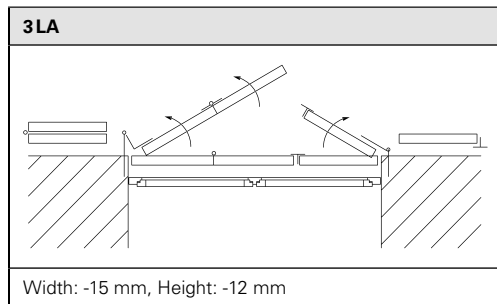
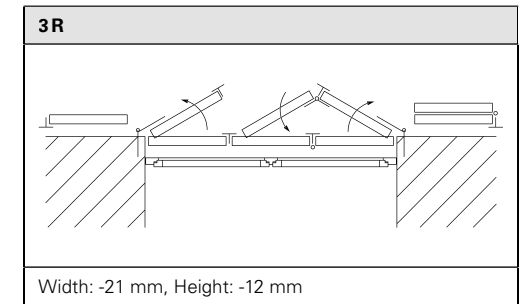
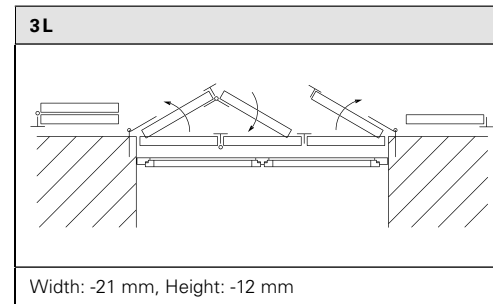
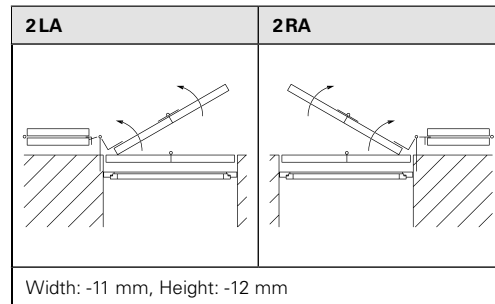
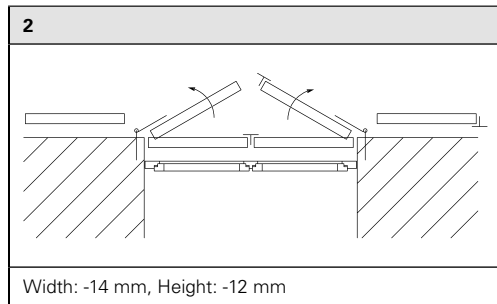
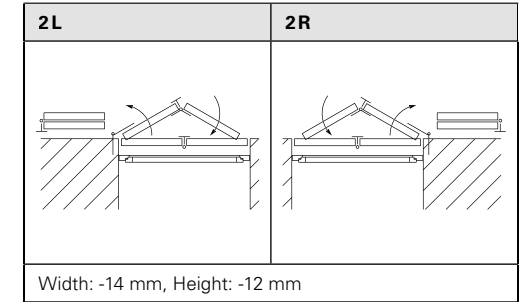
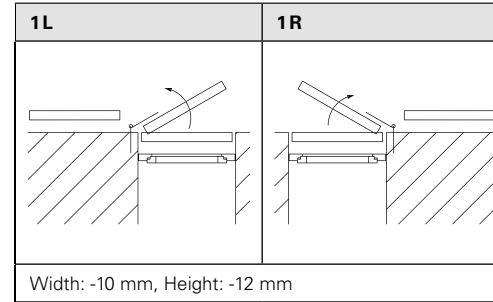
Order form
and planning tool

Stop diagrams

Each view is from the inside!

The specified deduction clearances between frame and sash are taken into consideration as standard.

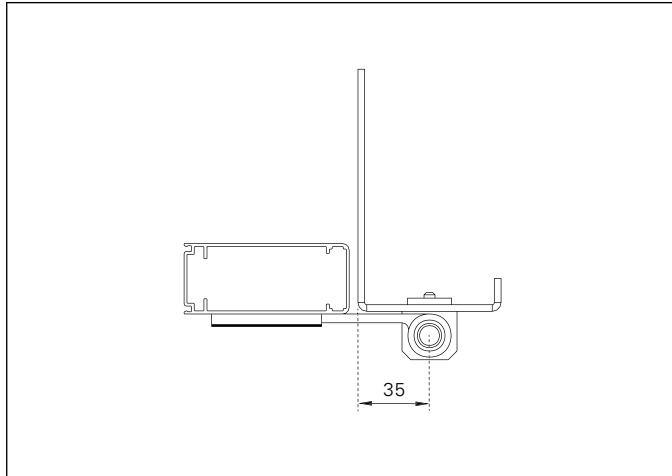
In round and pointed arches the deduction clearance in terms of height is -15 mm.



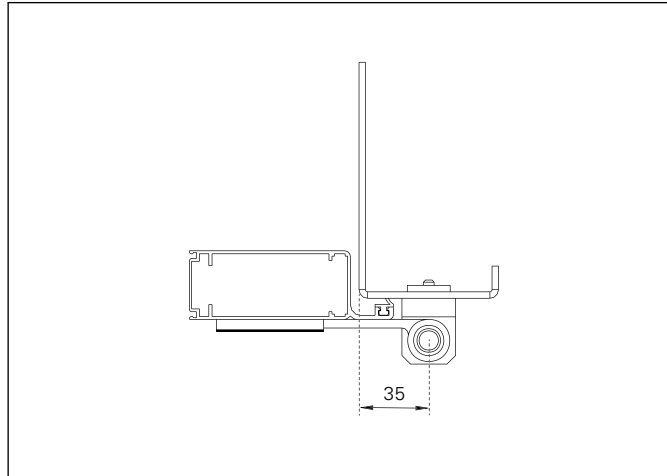
Measuring instructions

► In the case of the orders without sashes, please make sure to specify whether a rabbet bead is to be used later on.

Installation type 1 without rabbet bead



Installation type 2 with rabbet bead



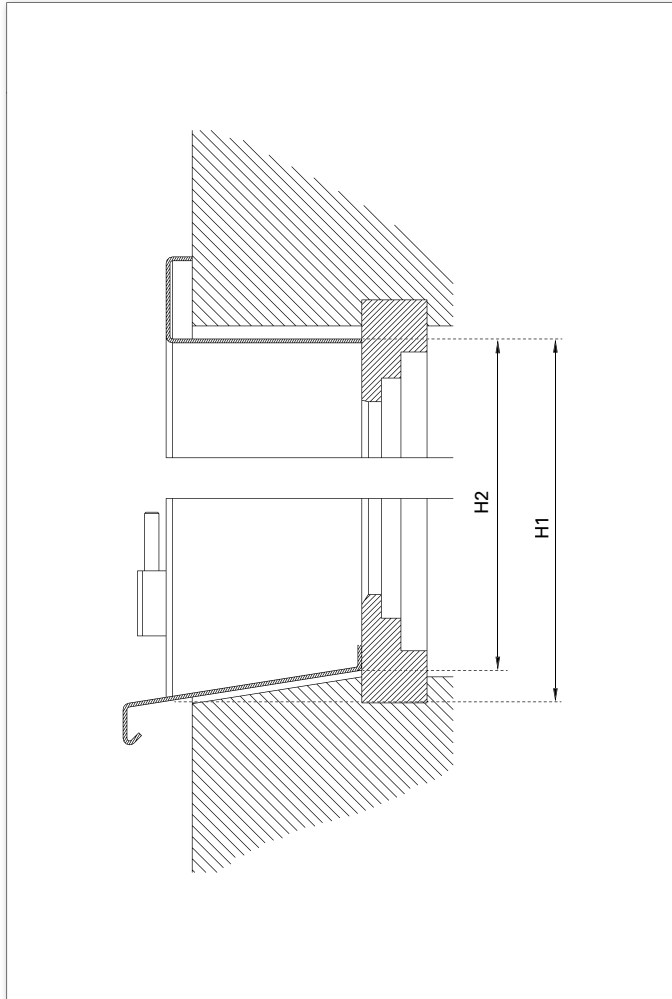
Type	Sides	Left	Right	Top	Bottom
1	3	x	x	x	
2	4	x	x	x	x
3	1	x			
4	1		x		
5	1			x	
6	1				x
7	2	x	x		
8	2			x	x
9	2	x		x	
10	2		x	x	

Measuring instructions

► Measurements taken with clear width / height and stop diagram

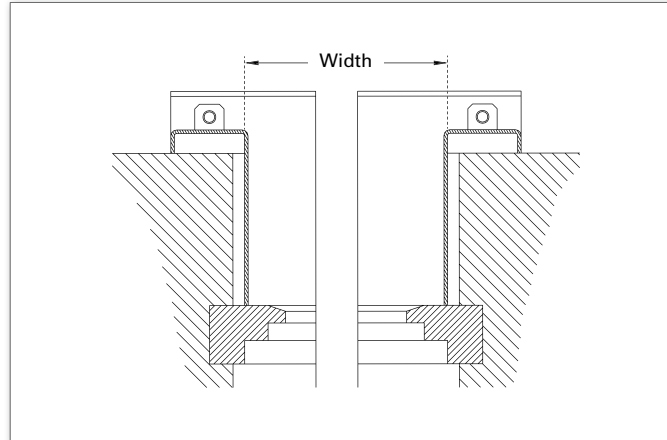
Dimensions H1 and H2

Frame height



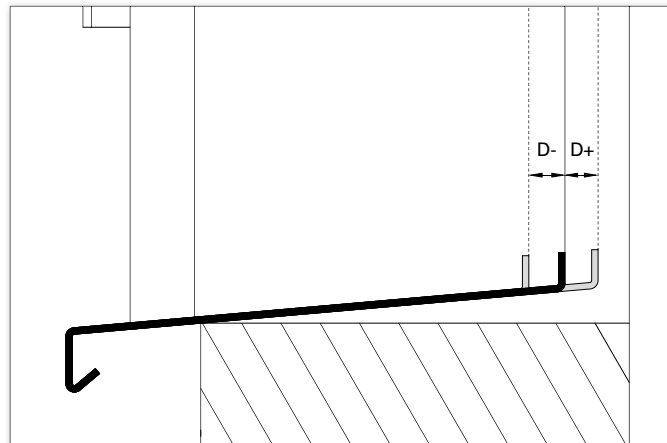
Width dimensions

Frame width



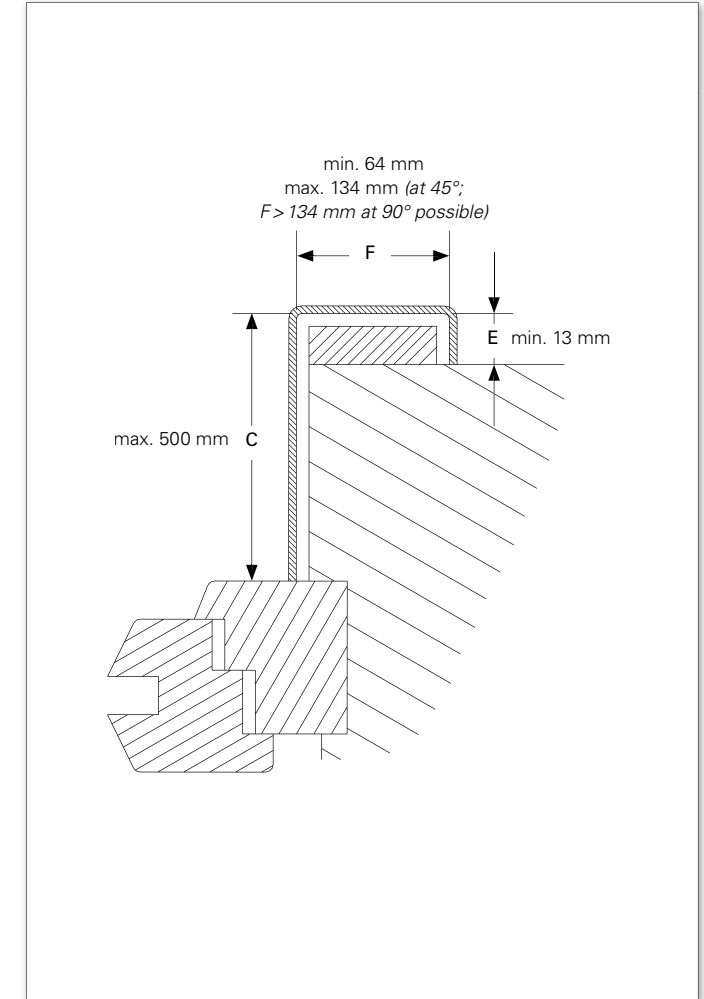
Dimension D (+/-)

Window sill extension / shortening



Dimensions C / E / F

Frame edging

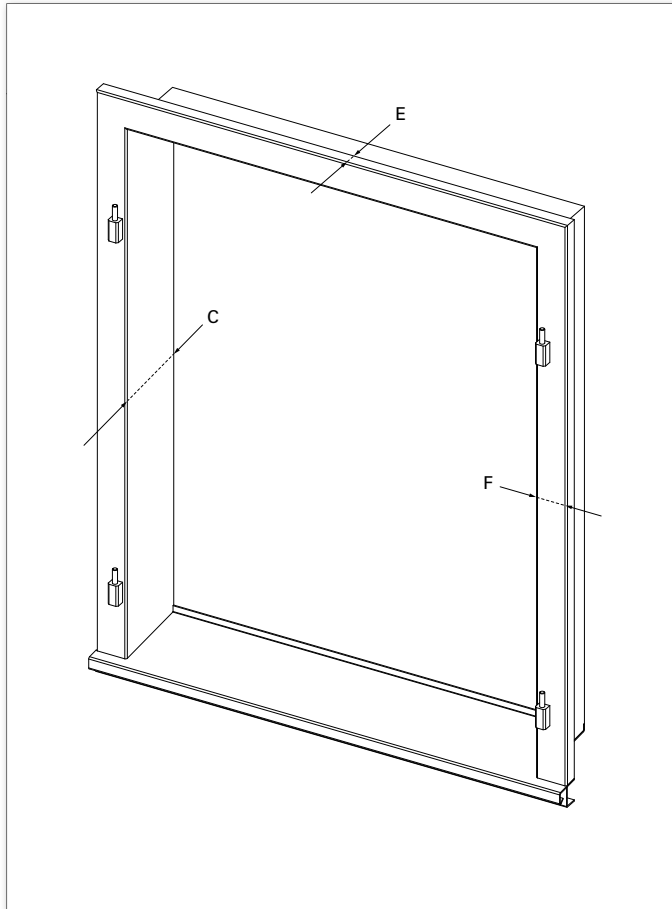


- Edge frames with dimension F > 134 mm only on request!

Measuring instructions | Frame edge shapes

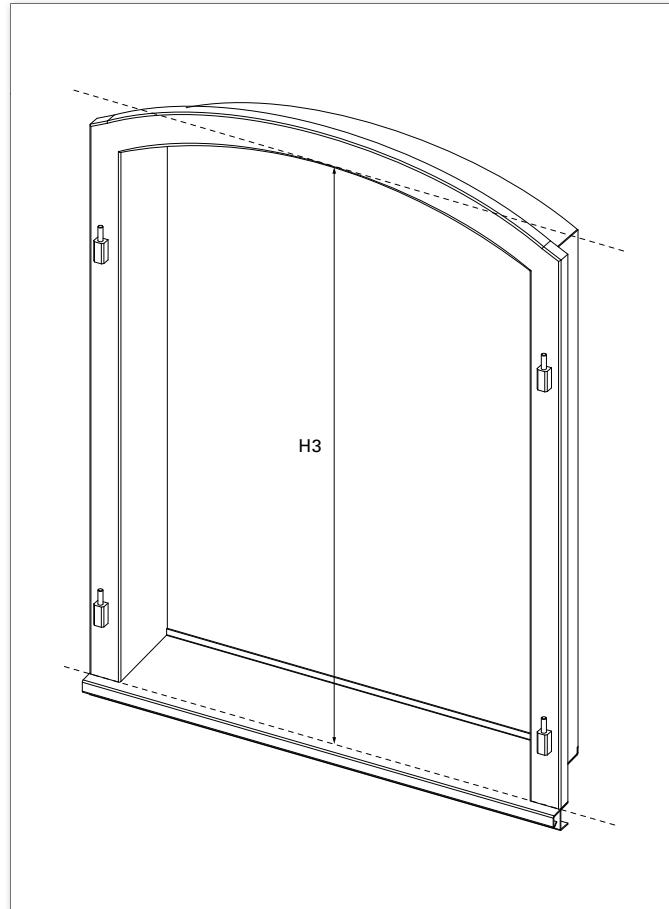
► Please enter frames with multiple and different measuring points for dimensions C / E / F on the additional "Irregular edge frames" order sheet.

Standard



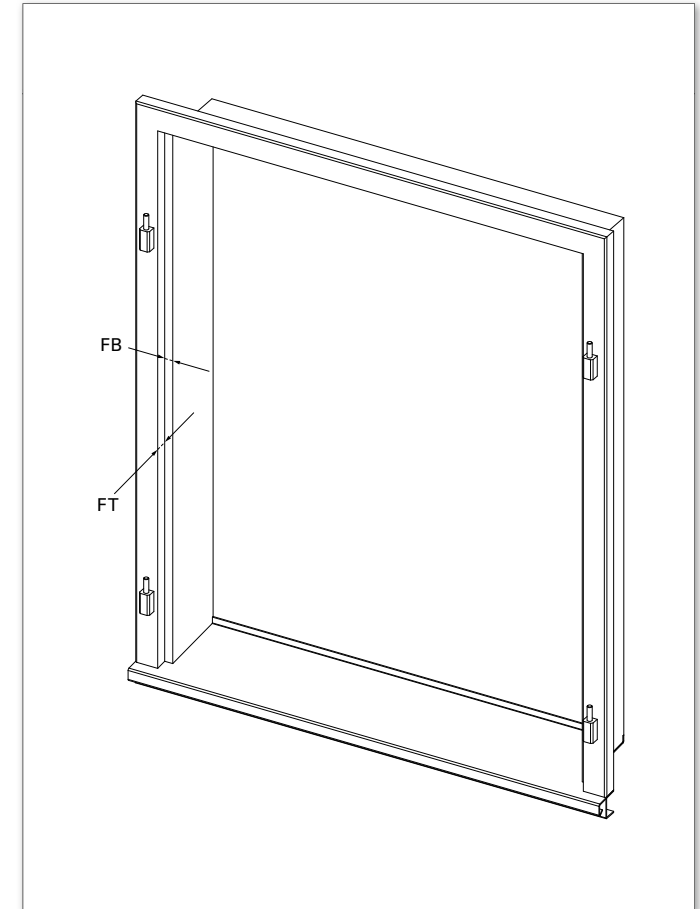
- C = frame depth (max. 500 mm)
- E = depth of frame trim (min. 12 mm)
- F = width of frame trim (min. 64 / max. 134 mm)

With round arch



- H3 = maximum height of round arch (the measuring point is parallel to the front edge of the frame)

With rabbet

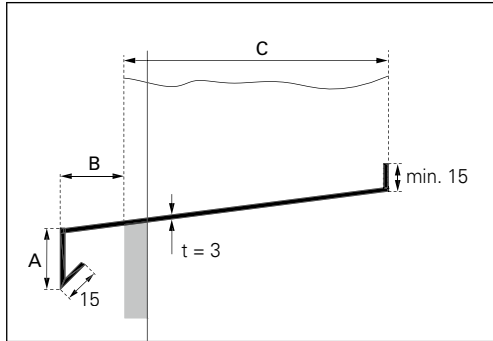


- FB = rabbet width
- FT = rabbet depth

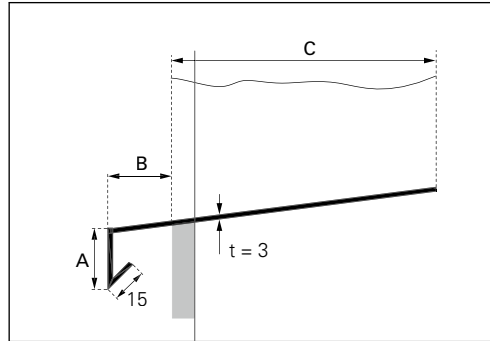
Measuring instructions | Window sill shapes

► Please specify the type on the order sheet or include a sketch.
The standard dimensions for dimensions A and B are both 30 mm.

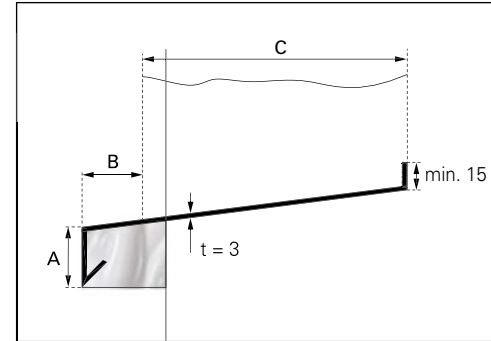
Type 1



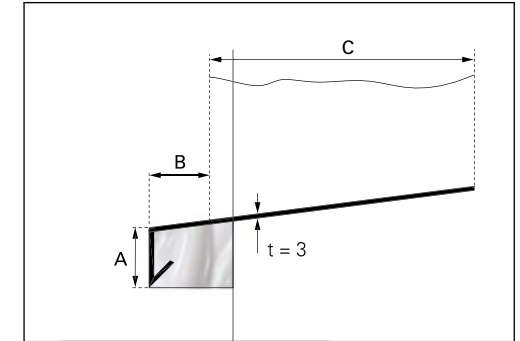
Type 2



Type 3

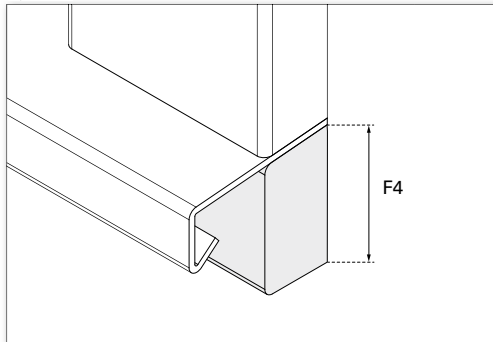


Type 4



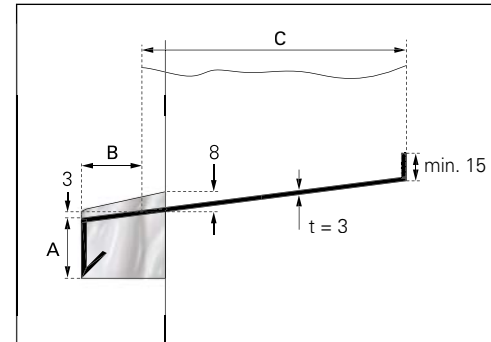
Additional edge part below

(optional)

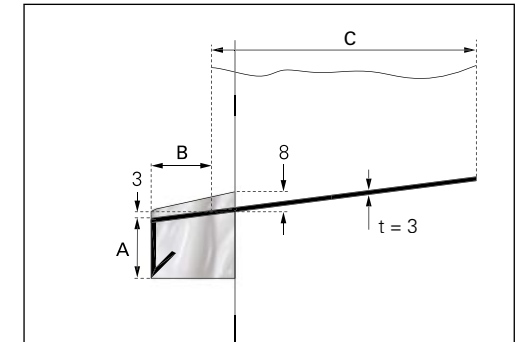


- As additional trim for façade
- Welded to frame window sill
- For type 1 and type 2 only
- Dimension F4 = Height additional edge part

Type 5

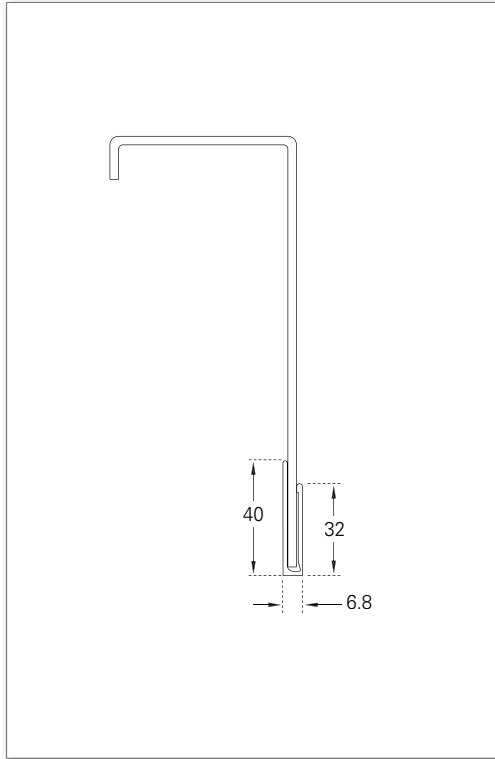


Type 6

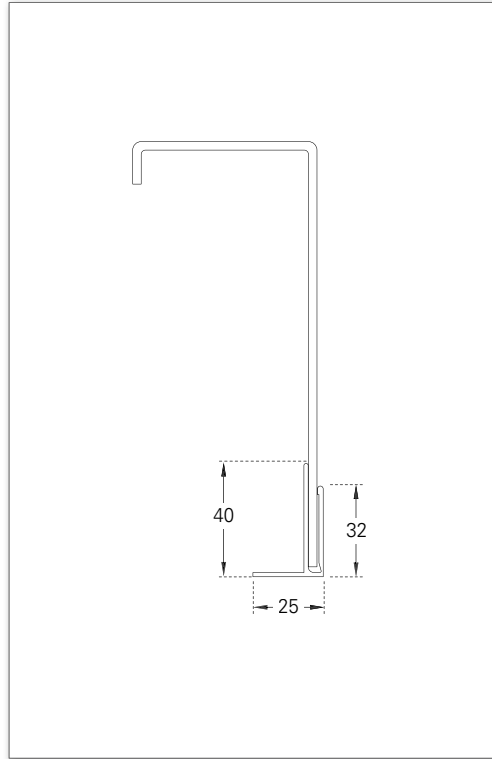


Measuring instructions | Additional profiles

U compensation profile



F compensation profile



Order form | Aluminium edge frame

Date _____ Page _____ of _____

Your address and signature _____

Consignment _____

Window shutter type _____

Split with combi models _____

Installation type 1 *without rabbet bead*
 2 *with rabbet bead*

Your customer number _____

Your processor _____

Preferred delivery date _____

Ocean Line plus yes

	<input type="checkbox"/> OFFER	<input type="checkbox"/> ORDER
Surface	<input type="checkbox"/> FSM	<input type="checkbox"/> RAL
Colour system	<input type="checkbox"/> Various	<input type="checkbox"/> NCS
Colour n°	<input type="checkbox"/> VSR	
Frame brackets	<input type="checkbox"/> Fittings colour	
Sash	<input type="checkbox"/> FSM	<input type="checkbox"/> RAL
	<input type="checkbox"/> Finish	<input type="checkbox"/> NCS
	<input type="checkbox"/> Various	<input type="checkbox"/> VSR
EHRET	<input type="checkbox"/> FSM	<input type="checkbox"/> RAL
Fittings	<input type="checkbox"/> Various	<input type="checkbox"/> NCS
		<input type="checkbox"/> VSR



Tel. +49 (0) 78 22/439-0
 Fax +49 (0) 78 22/439-217
 www.ehret.com

Additional order

If an additional delivery, ensure you specify the original order no.:

▶ Please enter irregular frames (dimensions C / E / F) and fittings on the additional sheet.

Item	Number of elements	Stop diagram	Frame			Finished dimensions			Dimension C* <i>max. 350 mm</i>	Dimension E <i>min. 13 mm</i>	Dimension F <i>min. 64 mm max. 134 mm</i>	Height H3 <i>For round arch only</i>	Rabbet width FB <i>For frame with rabbet only</i>	Rabbet depth FT <i>For frame with rabbet only</i>	Rabbet bead type <i>No. 1-10</i>	Window sill					Additional profiles									
			Standard	Round arch	With rabbet	Width	Height H1	Height H2								Type <i>1/2/3/4/5/6</i>	Dimension A <i>Standard 30 mm</i>	Dimension B <i>Standard 30 mm</i>	Additional edge part	Dimension F4 <i>Height: additional edge part</i>	Dimension D-D+ <i>Shortened / extended</i>	U compensation profile 3-sided	U compensation profile 4-sided	F compensation profile 3-sided	F compensation profile 4-sided					
			<input type="checkbox"/>	<input type="checkbox"/>	<input type="checkbox"/>																									
			<input type="checkbox"/>	<input type="checkbox"/>	<input type="checkbox"/>																									
			<input type="checkbox"/>	<input type="checkbox"/>	<input type="checkbox"/>																									
			<input type="checkbox"/>	<input type="checkbox"/>	<input type="checkbox"/>																									
			<input type="checkbox"/>	<input type="checkbox"/>	<input type="checkbox"/>																									
			<input type="checkbox"/>	<input type="checkbox"/>	<input type="checkbox"/>																									
			<input type="checkbox"/>	<input type="checkbox"/>	<input type="checkbox"/>																									
			<input type="checkbox"/>	<input type="checkbox"/>	<input type="checkbox"/>																									

*If using compensation profiles, please do not make any additional deductions to dimension C.

Order form | Aluminium edge frame | Fittings

Date _____ Page _____ of _____ Consignment _____ Your customer number _____

With pre-installation

- Express hinge – German
- Express hinge – French
- Express hinge – BEAUNE/ISO

Without pre-installation

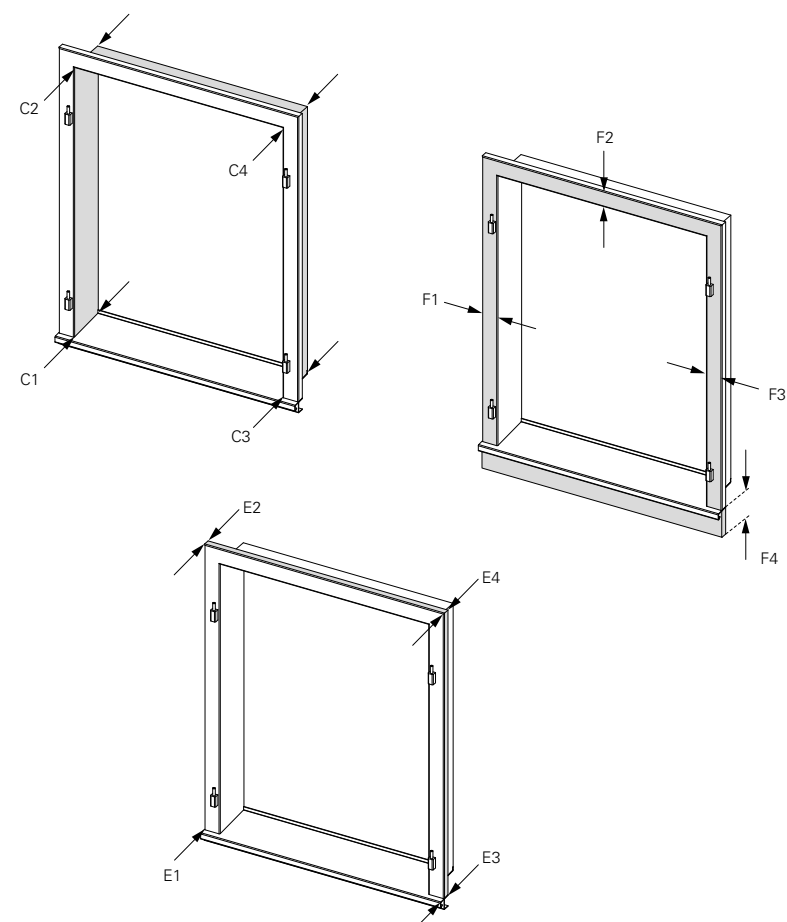
- Cross hinge – German
- Cross hinge – French
- BEAUNE/ISO long hinge

- Shutter closure & shutter lock
- Espagnolette closure – Ambiente
- Espagnolette closure – flat
- Shutter arrester rod & lock bar
- Hook & angle bracket
- Other accessories
- Standard shutter holder
- Lady head shutter holder
- Shutter fastener
- Pull catch
- Catch

Order form | Aluminium edge frame | Irregular frames

**Designation of the dimension points: Views from the inside!*

Item	C dimensions* max. 350 mm				E dimensions* min. 12 mm				F dimensions* min. 64 mm, max. 134 mm			
	C1 Bottom right	C2 Top right	C3 Bottom left	C4 Top left	E1 Bottom right	E2 Top right	E3 Bottom left	E4 Top left	F1 Right	F2 Top	F3 Left	F4 Bottom (additional edge part)



EHRET GmbH

Bahnhofstrasse 14-18

D-77972 Mahlberg

Tel. +49(0) 78 22/439-0

Fax +49(0) 78 22/439-116

www.ehret.com

Made in Germany

© 06.2021 EHRET GmbH | F08.E | Subject to technical modifications