

Security frame

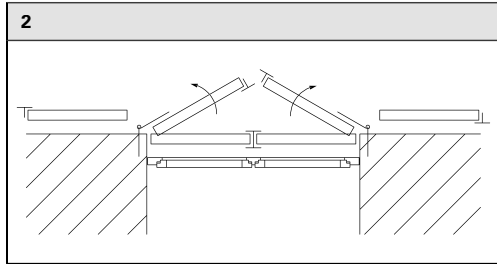
Installation frames / Frames



Order form and
planning tool

Stop diagrams

Horizontal section



View from inside!

The specified deduction clearances are taken into consideration as standard.

Security frame includes:

- 4-sided frame **A** incl. window sill **D**, completely welded
- Safety hinges **B**, pre-mounted on frame and sashes
- Pre-mounted shutter stop
- Milling for rod lock locking system

Calculated separately:

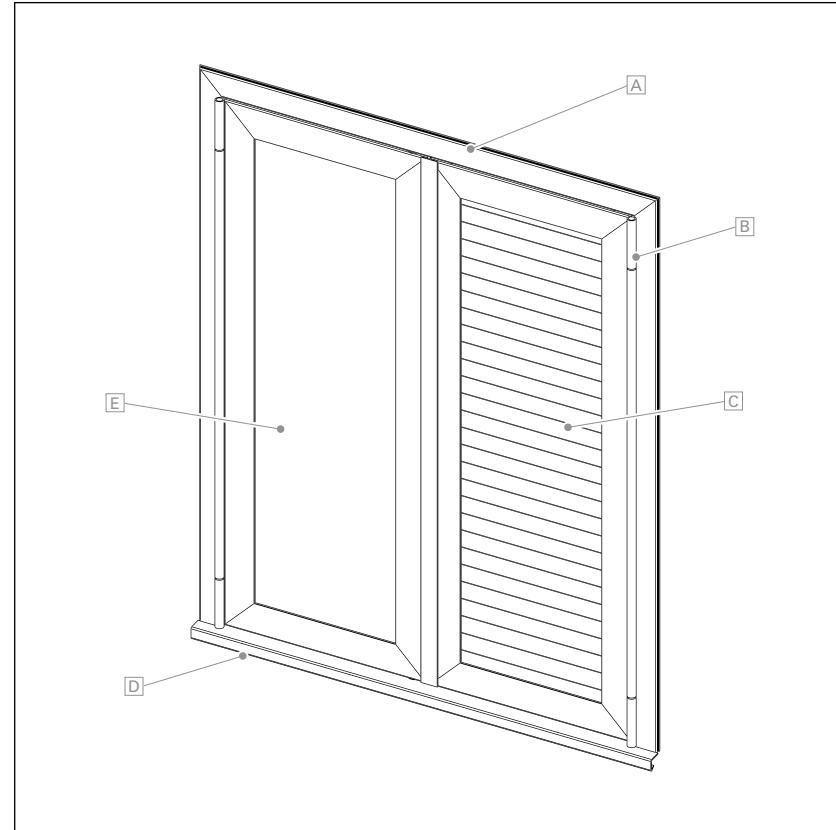
- Sashes, TIZO-S **C** (horizontal cross-panel required starting from 1901 mm height), TSW-S **E** (cross-panel required starting from 2201 mm height), TIZO-S-ROM
- Rod lock security frame (art. no. 5415)

Optional (for a surcharge):

- Shutter catch systems (e.g. lady head shutter holder, shutter fastener), see „Sales price list for window shutters“

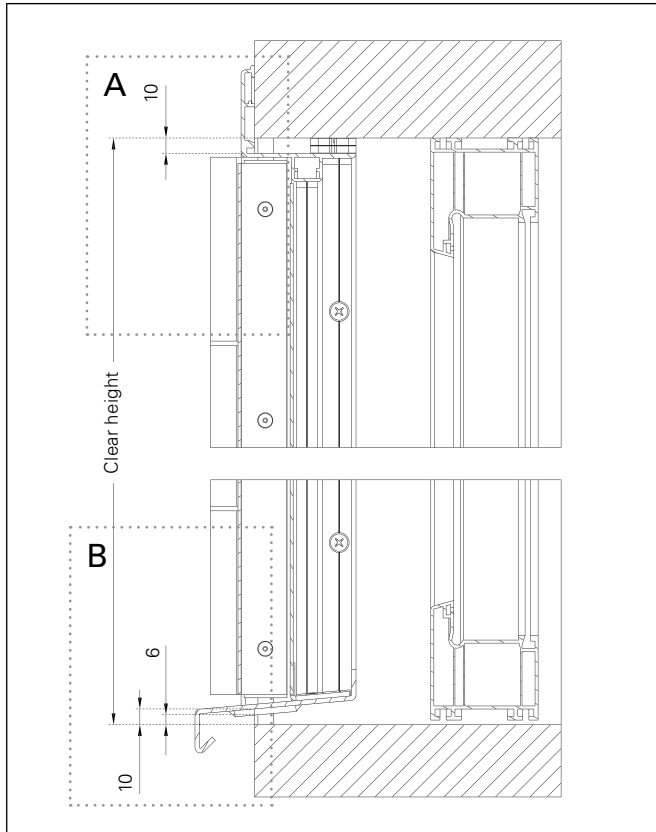
Diagram 2

View from outside

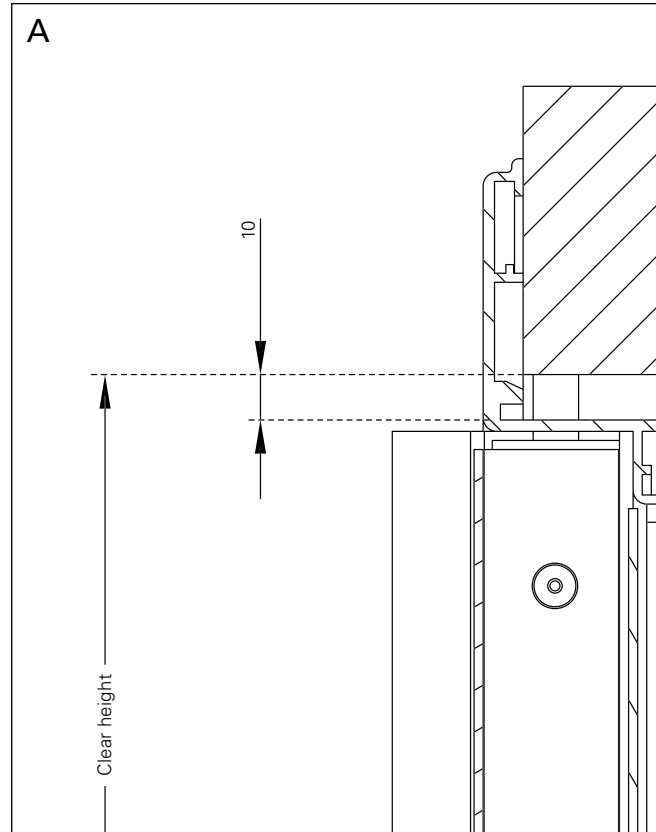


Measuring instructions

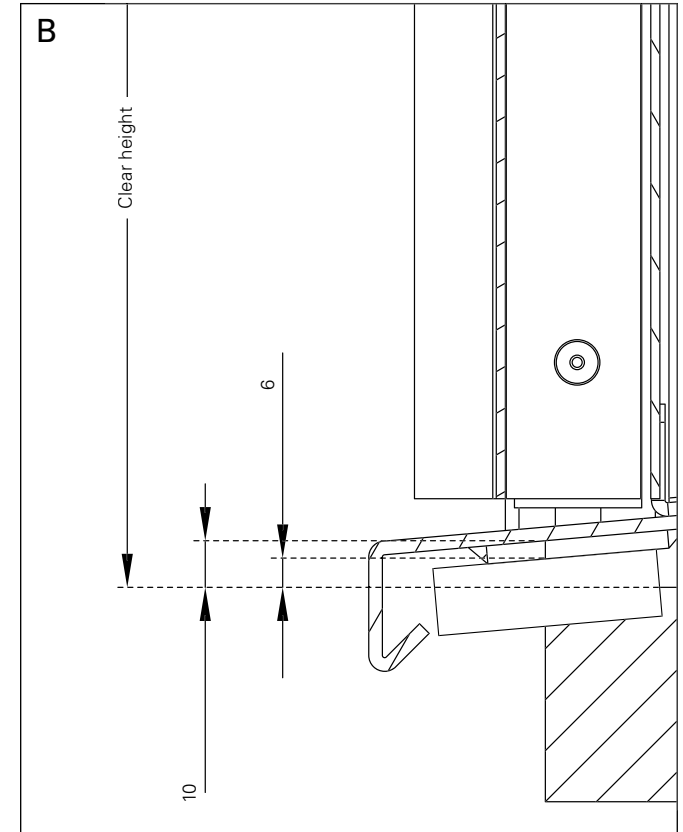
Measurements taken with clear width/height and stop diagram



Vertical section



Vertical section, detail A

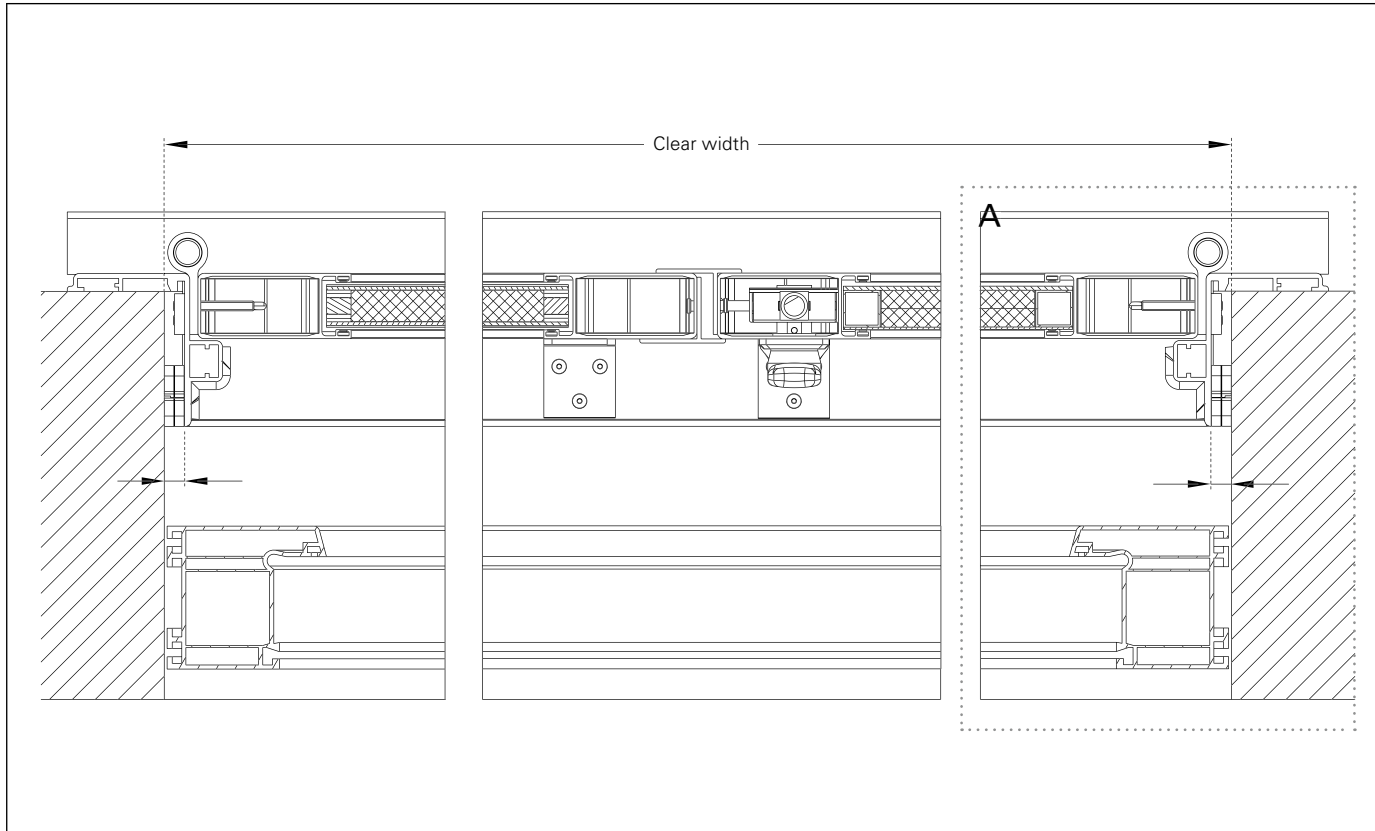


Vertical section, detail B

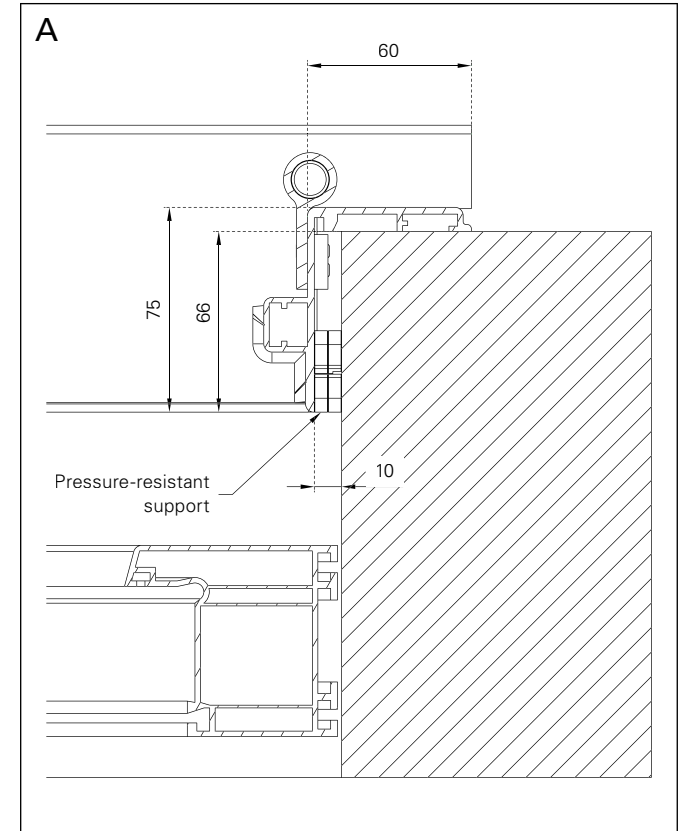
Clear height	
Min.	Max.
837 mm	2537 mm

Measuring instructions

Measurements taken with clear width/height and stop diagram



Horizontal section



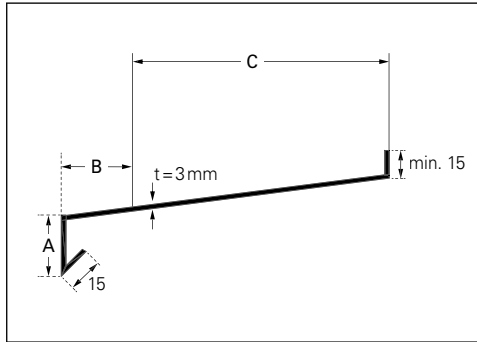
Horizontal section, detail A

Clear width	
Min.	Max.
743 mm	1643 mm

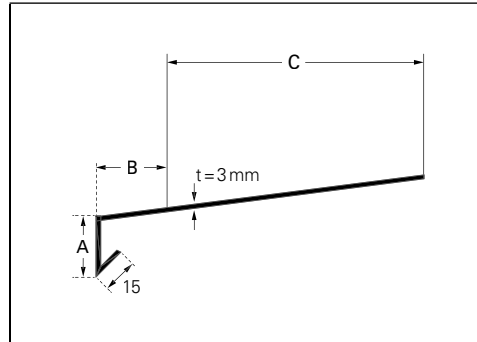
Measuring instructions

Window sill frame shapes

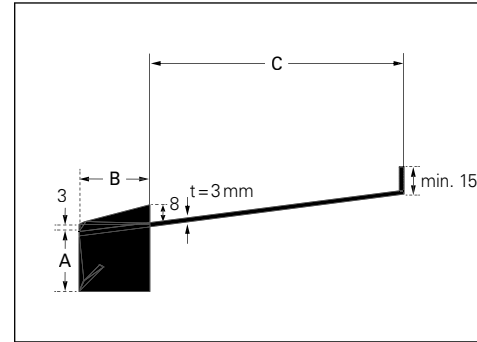
Type 1



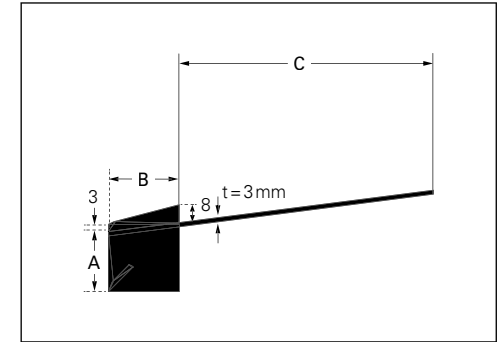
Type 2



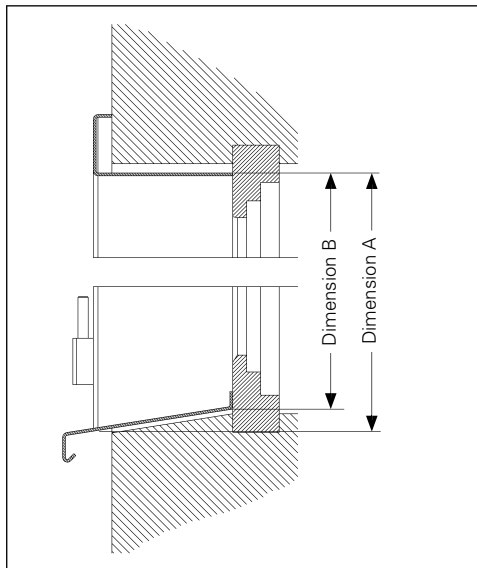
Type 5



Type 6

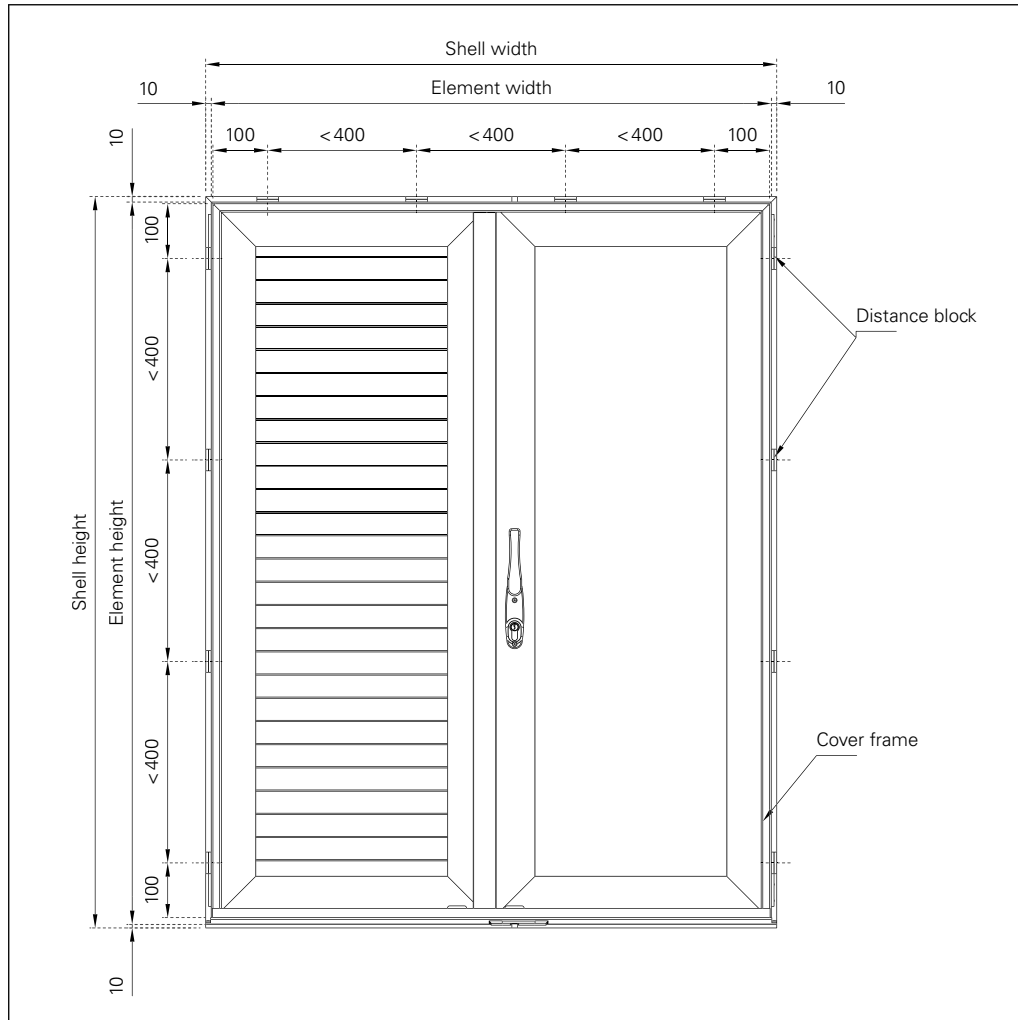


- The standard dimensions for measurements A and B are both 30 mm.



Drilling and blocking distances

Correct installation in accordance with DIN EN 1627 classification RC2



INFO

- ▶ If the original cylinder needs replacing, another cylinder of the type BKS 8900 SKG**27 N (half cylinder with drilling protection) must be used.

Structural attachments

After inserting the dowels:

- ▶ Cushion the space around the screw connections between the frame and structure using pressure-resistant supports (distance blocks, etc.).

This pressure-resistant cushioning is intended to prevent the cover frame from warping towards the structure in the event of break-in attempts using lever-type tools.

- ▶ Do not exceed the maximum blocking distances to the structure!

Maximum blocking distances

- Distance from the frame corner and window sill: 100 mm
- Distance between other fixing points on the wall: max. 400 mm

Security frame substrate

Correct installation in accordance with DIN EN 1627 classification RC2

Excerpt from DIN EN 1627, Table NA.2

Classification of resistance classes between anti-intruder components and solid walls						
Resistance class of the component in accordance with DIN EN 1627	Surrounding walls					
	Masonry in accordance with DIN 1053-1				Reinforced concrete in accordance with DIN 1045	
	Wall thickness (without plaster) in mm	Compressive strength class of bricks	Gross density class of bricks	Mortar group	Nominal thickness in mm (min.)	Strength class (min.)
RC 1 RC 2	≥ 115	≥ 12	–	Min. MG II / DM	≥ 100	B15

Excerpt from DIN EN 1627, Table NA.3

Classification of resistance classes between anti-intruder components and pervious concrete walls			
Pervious concrete wall			
Resistance class	Nominal thickness	Compressive strength of bricks	Design
RC 1 N RC 2 N	≥ 170	≥ 4	Cemented

Fixing screws

Screws for	Use
Steel frames	M6 x 40 mm screws or Ø6.3 x 38 mm self-tapping screws
Concrete	6 x 80 mm special screws for securing without dowels
Wood or dowel fixing	Ø 6.3 x 100 mm screws

EHRET GmbH

Bahnhofstrasse 14-18

D-77972 Mahlberg

Tel. +49(0) 78 22/439-0

Fax +49(0) 78 22/439-116

www.ehret.com

Made in Germany

© 08.2020 EHRET GmbH | F24.E | Subject to technical modifications