

## FSL-Light

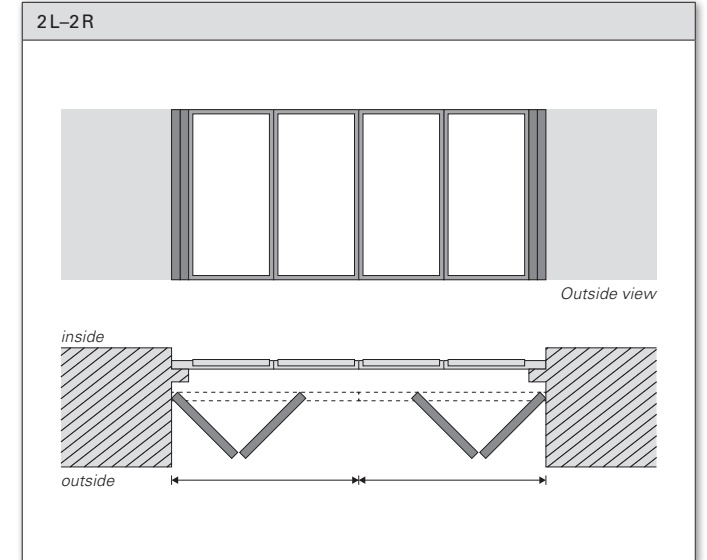
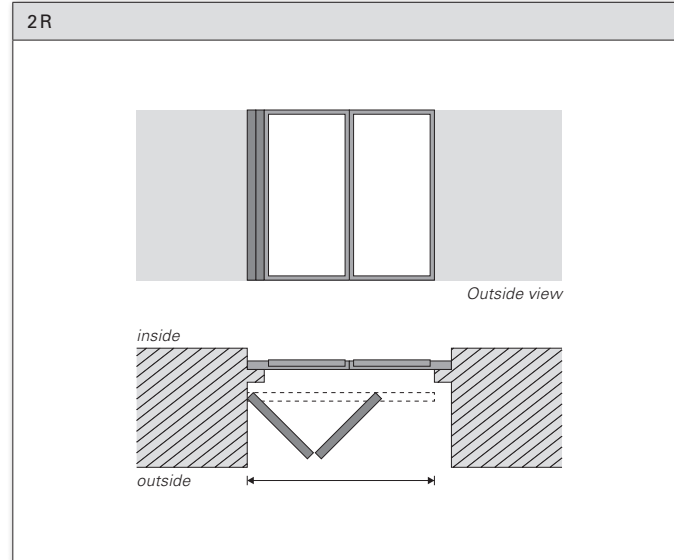
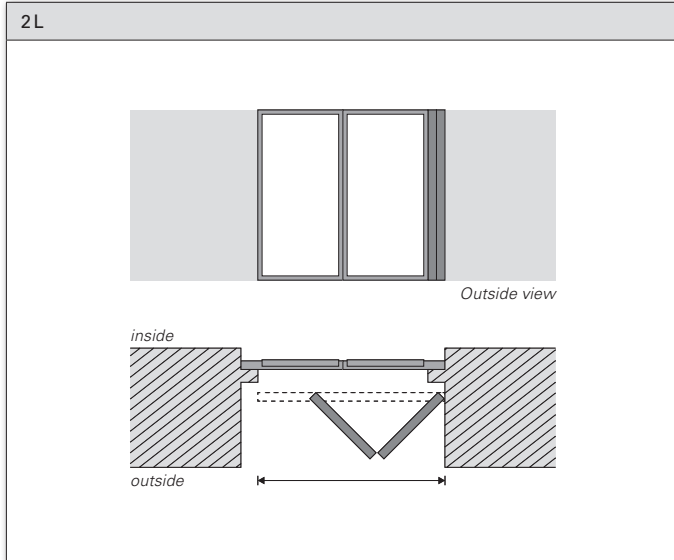
Aluminium folding sliding shutters



Order form and  
planning tool

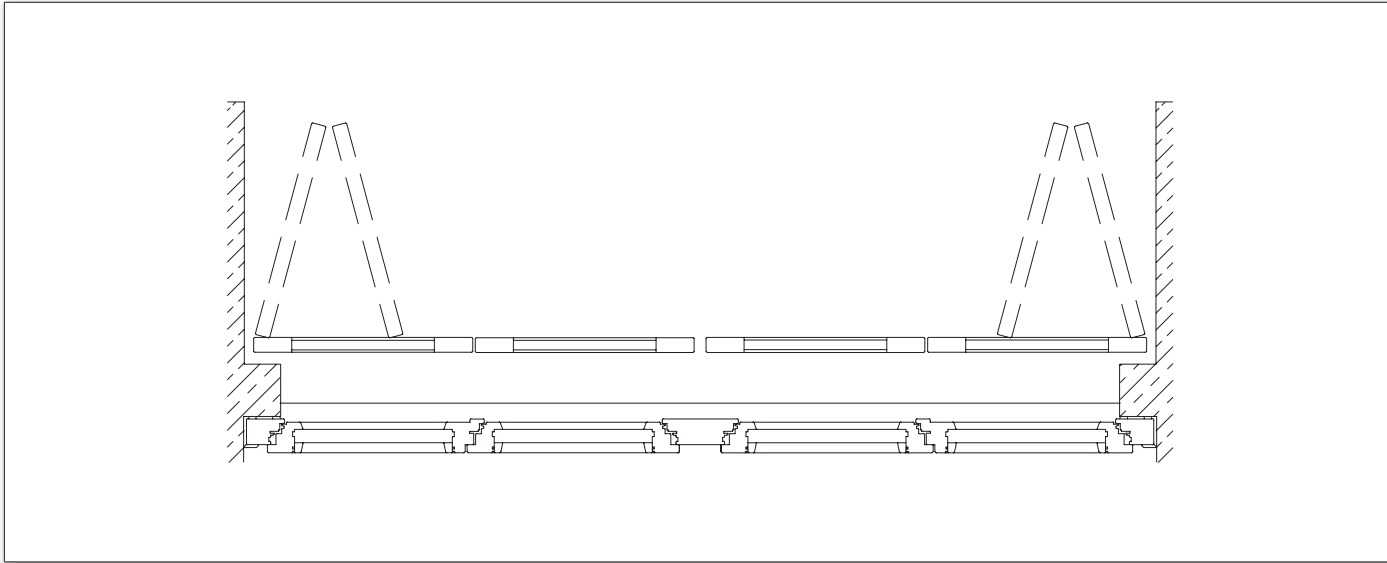
# Stop diagrams

The stop diagrams are sketched as if viewed from inside.  
The term 2L-2R stands for 2 sashes left (L) and 2 sashes right (R).



# Stop diagrams | Folding of sashes

Folding outwards



# Measuring instructions

## Measurements taken with clear width/height and stop diagram

► Specify the clear height and clear width.

Please observe the following:

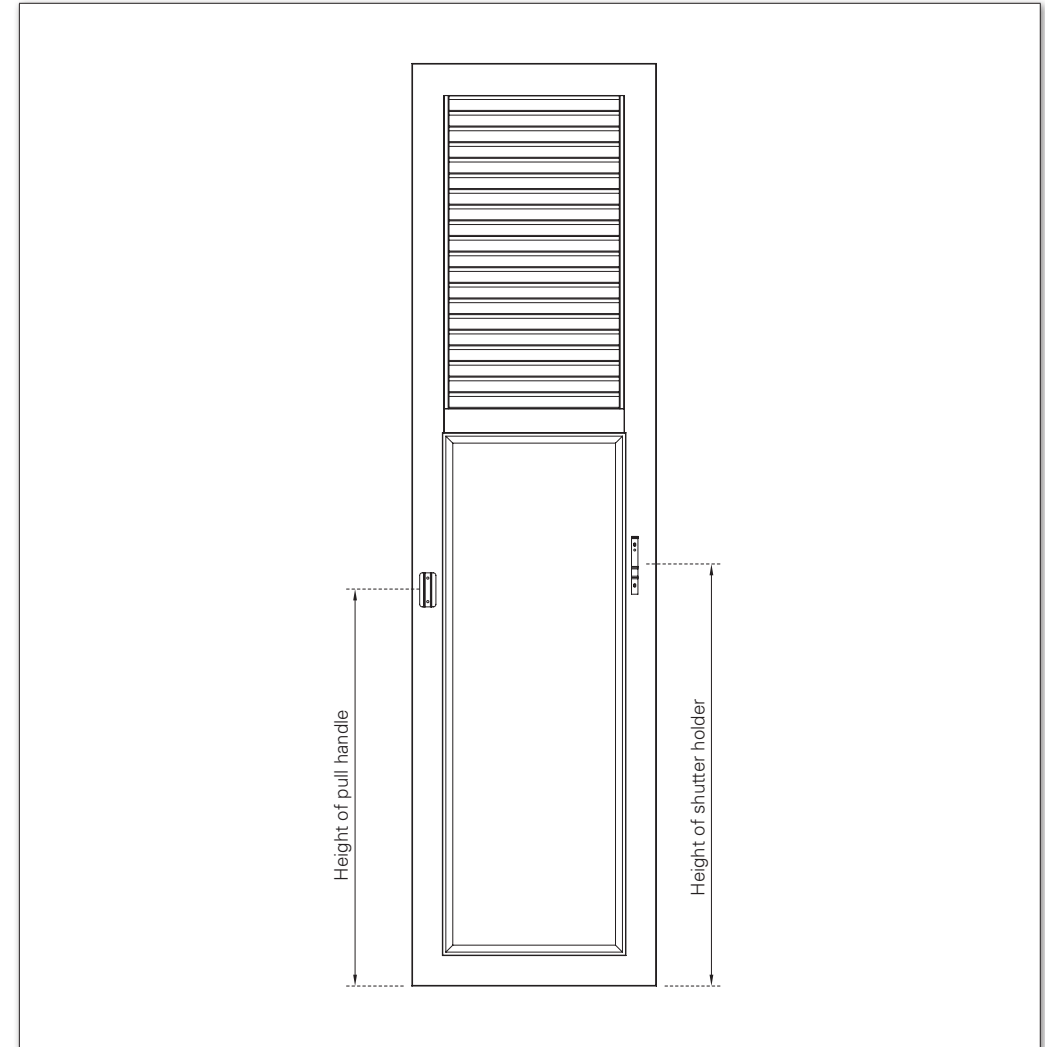
- Sash width of min. 280 mm (frame R75); min. 225 mm (frame R48), max. 600 mm
- Sash height of min. 800 mm, max. 2500 mm
- Only for models with fixed slats or centres.
- The sash package can only be positioned at right angles to the façade when open.
- Sashes are asymmetrical (see page 6: „Model sections“)

## Models for FSL-Light | Min./max. dimensions

| Frame | Model name | Width min. | Width max. | Height min. | Height max. | Horizontal crosspanel from height | Instead of horizontal crosspanel | Weight kg/m <sup>2</sup> | Horizontal / vertical crosspanel |
|-------|------------|------------|------------|-------------|-------------|-----------------------------------|----------------------------------|--------------------------|----------------------------------|
| R75   | GE/GE-SE   | 280        | 600        | 800         | 2500        | 2200                              | -                                | 10                       | Q60                              |
|       | JS         | 280        | 600        | 800         | 2500        | 2200                              | <sup>(1)</sup>                   | 9                        | Q60                              |
|       | MS         | 280        | 600        | 800         | 2500        | 2200                              | <sup>(1)</sup>                   | 9                        | Q60                              |
|       | PARIS      | 280        | 600        | 800         | 2500        | 2200                              | <sup>(2)</sup>                   | 8                        | Q60                              |
|       | PL         | 280        | 600        | 800         | 2500        | 3000                              | -                                | 9                        | Q60                              |
|       | PLLO       | 280        | 600        | 800         | 2500        | 3000                              | -                                | 9                        | Q60                              |
|       | SL-R75     | 280        | 600        | 800         | 2500        | 2200                              | <sup>(2)</sup>                   | 9                        | Q60                              |
|       | SUN-R75    | 280        | 600        | 800         | 2500        | 2200                              | <sup>(2)</sup>                   | 9                        | Q60                              |
|       | TZ R75     | TIZO       | 280        | 600         | 800         | 2500                              | 1900                             | <sup>(1)</sup>           | 13                               |
| TSW   |            | 280        | 600        | 800         | 2500        | 2200                              | -                                | 13                       | Q60                              |
| TZ    |            | 280        | 600        | 800         | 2500        | 1900                              | <sup>(1)</sup>                   | 12                       | Q60                              |
| TZO   |            | 280        | 600        | 800         | 2500        | 1900                              | <sup>(1)</sup>                   | 12                       | Q60                              |
| R48   |            | GE/GE-SE   | 280        | 600         | 800         | 2500                              | 1900                             | -                        | 10                               |
|       | JS         | 280        | 600        | 800         | 2500        | 1900                              | <sup>(1)</sup>                   | 8                        | Q60                              |
|       | MS         | 280        | 600        | 800         | 2500        | 1900                              | <sup>(1)</sup>                   | 8                        | Q60                              |
|       | PARIS      | 280        | 600        | 800         | 2500        | 1900                              | <sup>(2)</sup>                   | 8                        | Q60                              |
|       | SL-R48     | 280        | 600        | 800         | 2500        | 1900                              | <sup>(2)</sup>                   | 9                        | Q60                              |
|       | SUN-R48    | 280        | 600        | 800         | 2500        | 1900                              | <sup>(2)</sup>                   | 9                        | Q60                              |

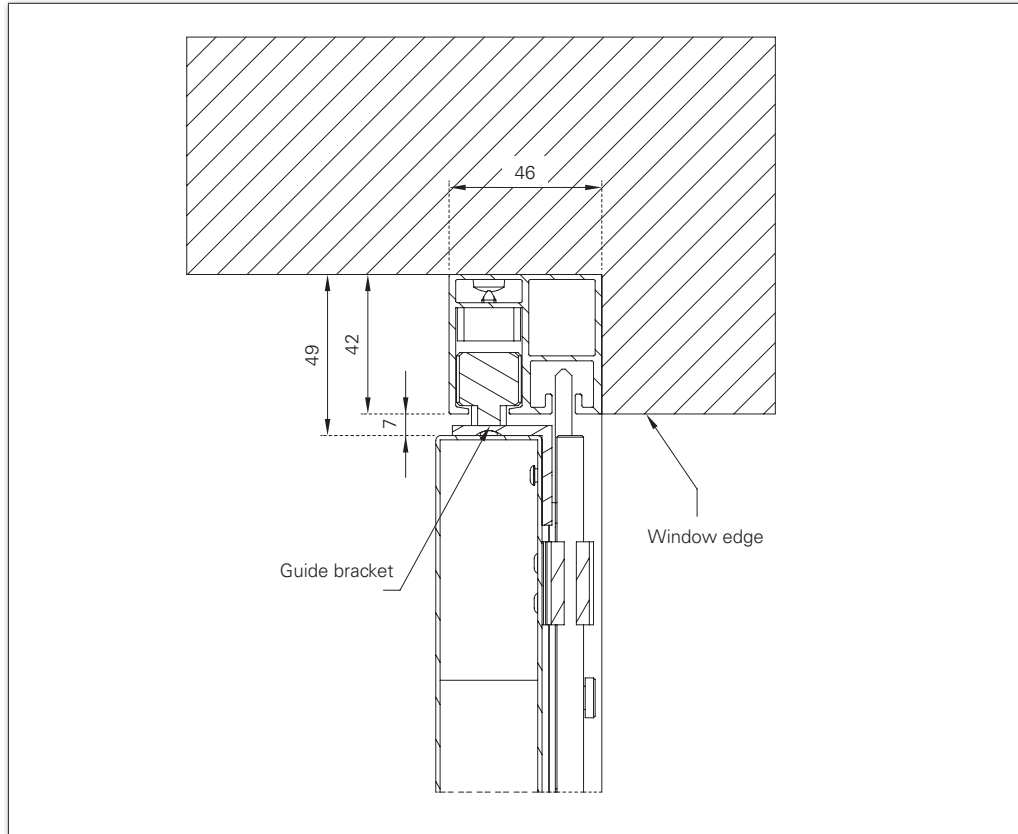
<sup>(1)</sup> Pin, <sup>(2)</sup> Screw slat

## Height of pull handle and shutter holder



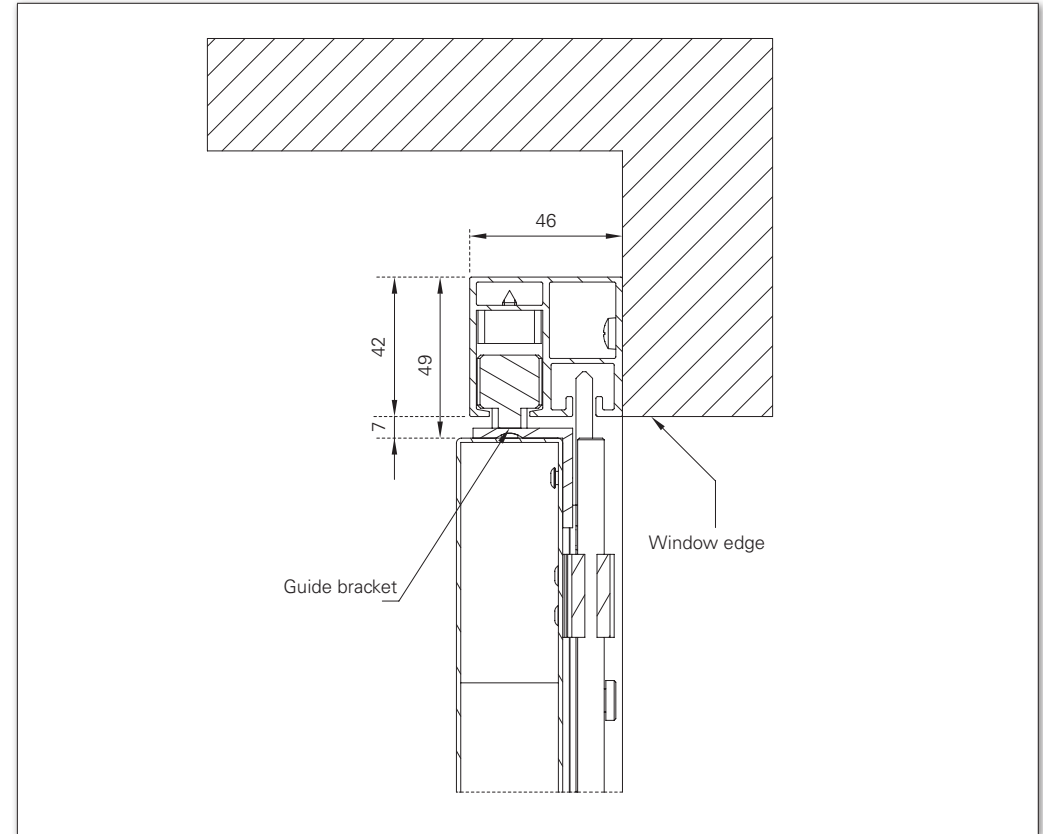
# Installation variants | Shutter guide at top

Header installation



- **Important:** no mounting holes in the guide profiles!
- The guide bracket can also be fitted on the outside of the sash if there is a lack of space during installation!

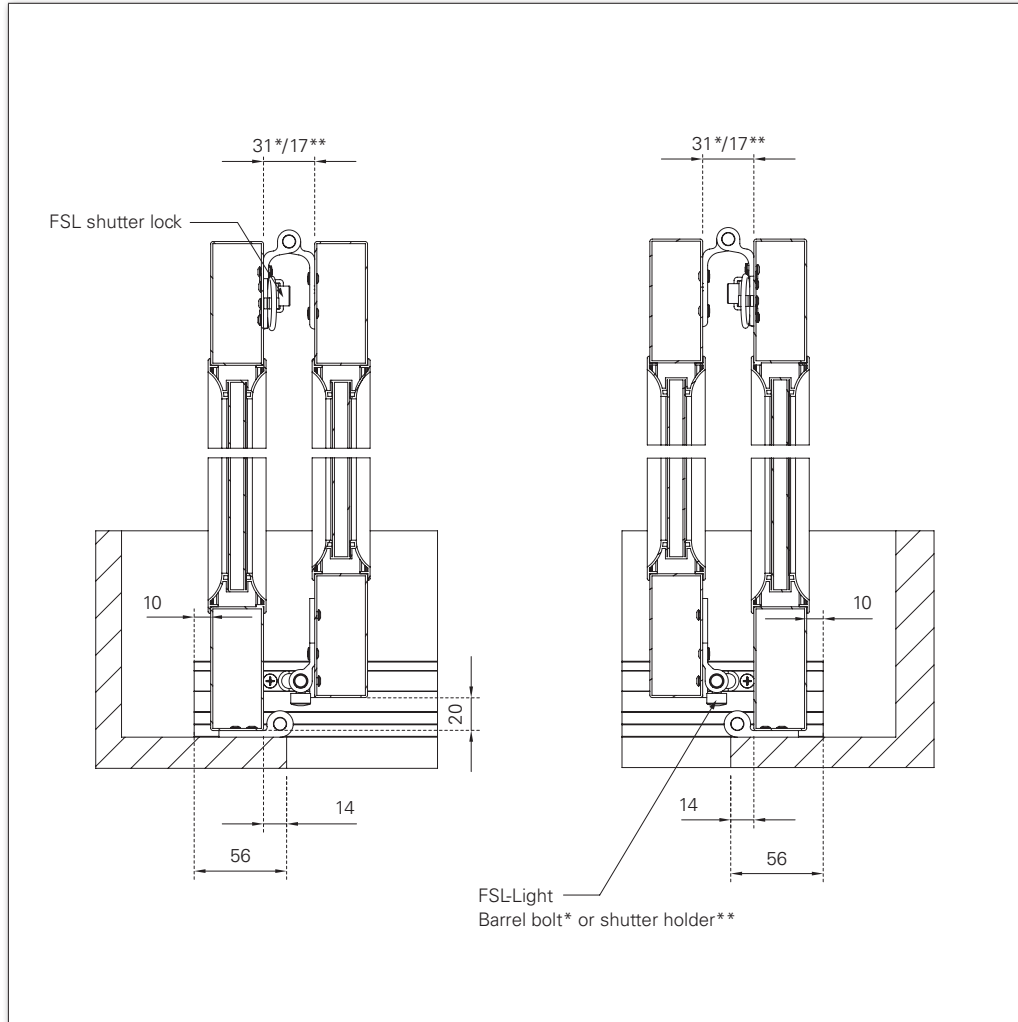
Wall installation



- **Important:** no mounting holes in the guide profiles!
- The guide bracket can also be fitted on the outside of the sash if there is a lack of space during installation!

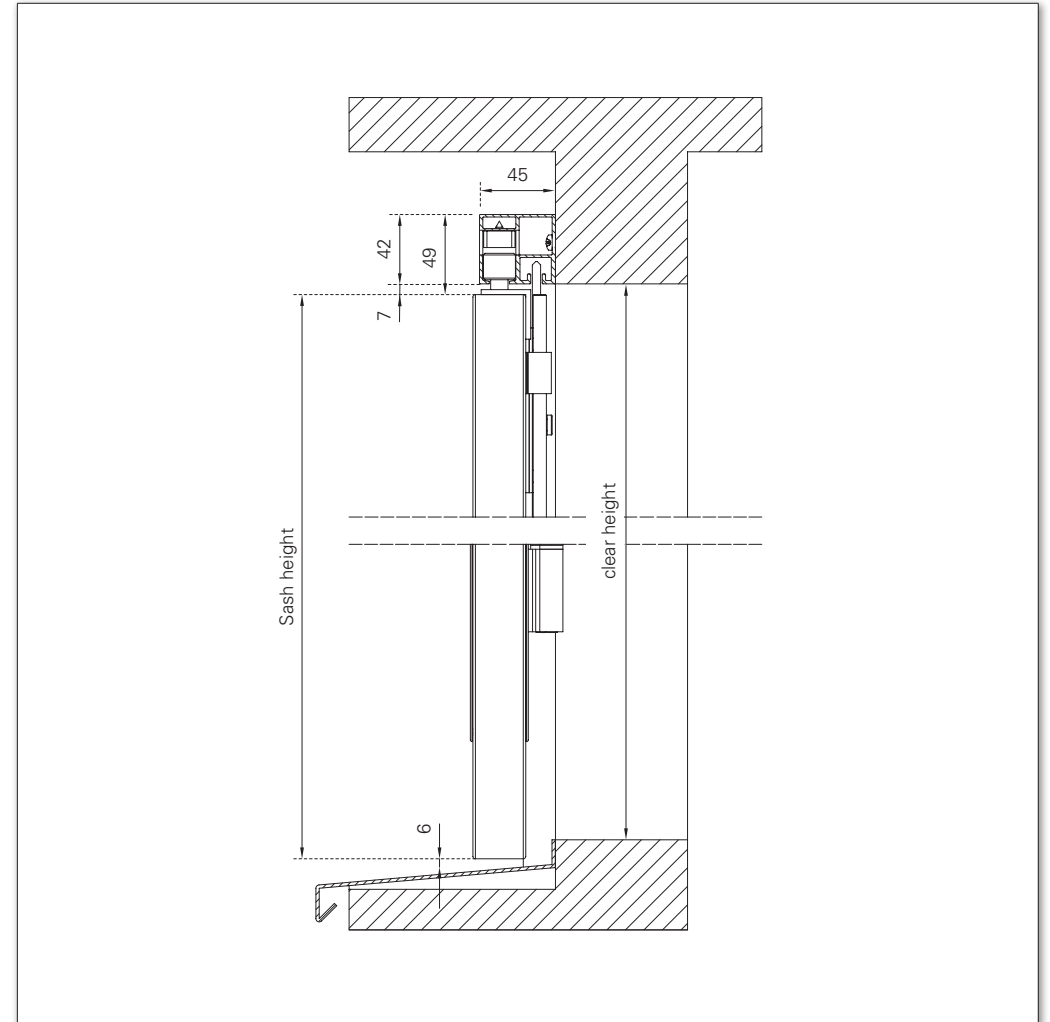
# Measuring instructions | Model sections

System open



\*Hardware package for variant 1, \*\* hardware package for variant 2

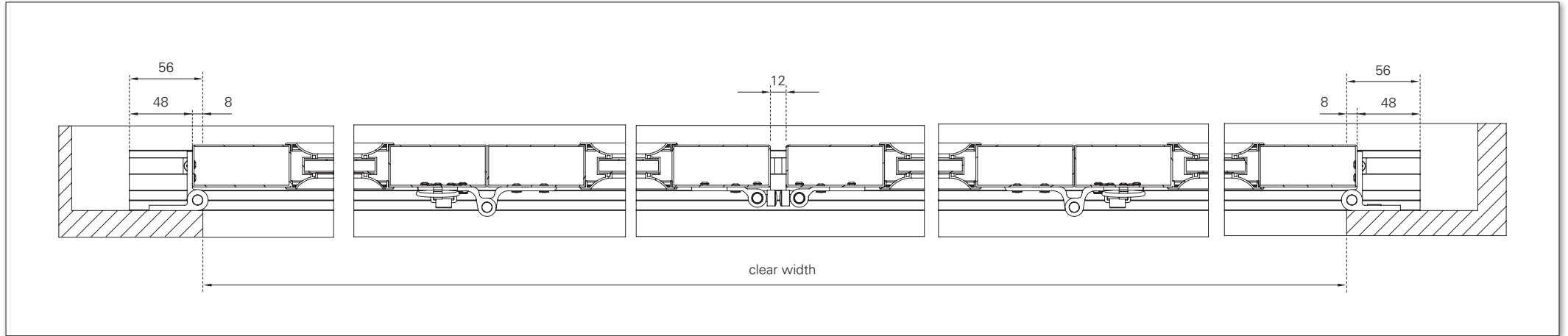
Vertical section



# Measuring instructions | Model sections

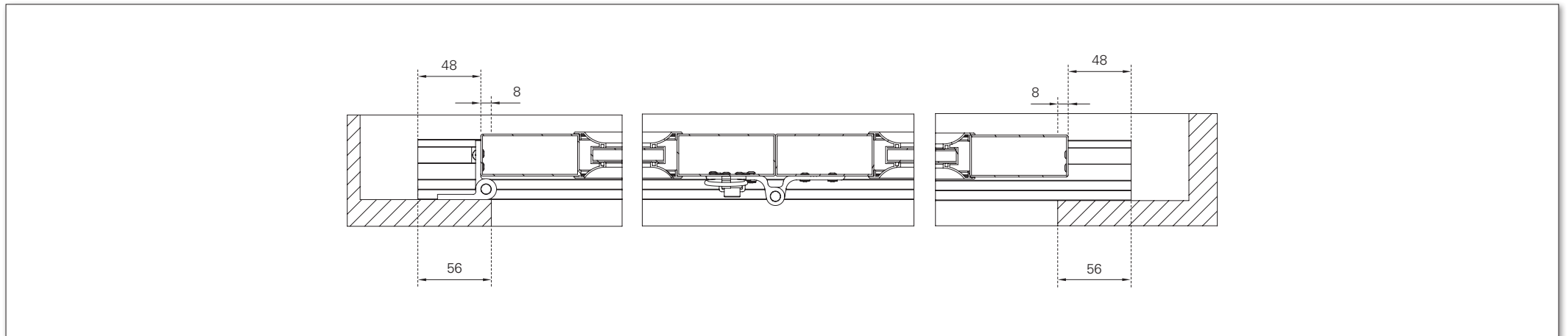
System closed

2L-2R



System closed

2L/2R



# Hardware packages

## Variant 1

Pre-installation per sash 131605

Barrel bolt\*  
131615 385 mm

FSL Shutter lock\*  
131730 420 mm  
131731 820 mm  
131729 max. 1520 mm

Hinge\*  
131610 / 131611

Guide

Hinge K15\*  
131775

Pull handle\*  
591038

\*can be pre-assembled.

## Variant 2

Pre-installation per sash 131605

FSL Shutter lock\*  
131730 420 mm  
131731 820 mm  
131729 max. 1520 mm

Hinge\*  
131610 / 131611

Hinge straight\*  
131774

Guide

Pull handle\*  
591038

Shutter holder 17 mm\*  
5835

**Option for Variant 2**

- subject to surcharge
- please order separately!

Sash lock with catch  
131616

\*can be pre-assembled.



# Order form | FSL-light | Folding sliding shutters

Date \_\_\_\_\_ Page \_\_\_\_\_ of \_\_\_\_\_ Consignment \_\_\_\_\_

Your address and signature \_\_\_\_\_

Shutter type \_\_\_\_\_

---

Your customer number \_\_\_\_\_ Ocean Line plus  yes

Your processor \_\_\_\_\_ Hardware  yes

Preferred delivery date \_\_\_\_\_ pre-assembled \_\_\_\_\_

|            | <input type="checkbox"/> OFFER   | <input type="checkbox"/> ORDER   |
|------------|--|--|
| Frame      | <input type="checkbox"/> FSM<br><input type="checkbox"/> Wood finish<br><input type="checkbox"/> Various | <input type="checkbox"/> RAL<br><input type="checkbox"/> NCS<br><input type="checkbox"/> VSR |
| Insert     | <input type="checkbox"/> FSM<br><input type="checkbox"/> Wood finish<br><input type="checkbox"/> Various | <input type="checkbox"/> RAL<br><input type="checkbox"/> NCS<br><input type="checkbox"/> VSR |
| Guide rail | <input type="checkbox"/> FSM<br><input type="checkbox"/> Various   | <input type="checkbox"/> RAL<br><input type="checkbox"/> NCS<br><input type="checkbox"/> VSR |



Tel. +49 (0) 78 22/439-0  
 Fax +49 (0) 78 22/439-217  
[www.ehret.com](http://www.ehret.com)

\_\_\_\_\_

\_\_\_\_\_

\_\_\_\_\_

**Follow-up order**  
*The original order no. must be specified in the event of follow-up deliveries:*

\_\_\_\_\_

| Position | Number of elements | Number of sashes |       | Sashes in total | Clear dimensions |        | Hardware package |                          | Height Pull handle       | FSL Shutter lock       |                          |   | Quantity sash lock with catch optional, variant 2 Art. no. 131616 | Miscellaneous |
|----------|--------------------|------------------|-------|-----------------|------------------|--------|------------------|--------------------------|--------------------------|------------------------|--------------------------|---|---|---------------|
|          |                    | Left             | Right |                 | Width            | Height | Variant 1        | Variant 2                |                          | 420 mm Art. no. 131730 | 820 mm Art. no. 131731   | according to dimensions (920 to max. 1520 mm) Art. no. 131729 |   |               |
|          |                    |                  |       |                 |                  |        |                  | <input type="checkbox"/> | <input type="checkbox"/> |                        | <input type="checkbox"/> | <input type="checkbox"/>                                      |   |               |
|          |                    |                  |       |                 |                  |        |                  | <input type="checkbox"/> | <input type="checkbox"/> |                        | <input type="checkbox"/> | <input type="checkbox"/>                                      |   |               |
|          |                    |                  |       |                 |                  |        |                  | <input type="checkbox"/> | <input type="checkbox"/> |                        | <input type="checkbox"/> | <input type="checkbox"/>                                      |   |               |
|          |                    |                  |       |                 |                  |        |                  | <input type="checkbox"/> | <input type="checkbox"/> |                        | <input type="checkbox"/> | <input type="checkbox"/>                                      |   |               |
|          |                    |                  |       |                 |                  |        |                  | <input type="checkbox"/> | <input type="checkbox"/> |                        | <input type="checkbox"/> | <input type="checkbox"/>                                      |   |               |
|          |                    |                  |       |                 |                  |        |                  | <input type="checkbox"/> | <input type="checkbox"/> |                        | <input type="checkbox"/> | <input type="checkbox"/>                                      |   |               |
|          |                    |                  |       |                 |                  |        |                  | <input type="checkbox"/> | <input type="checkbox"/> |                        | <input type="checkbox"/> | <input type="checkbox"/>                                      |   |               |
|          |                    |                  |       |                 |                  |        |                  | <input type="checkbox"/> | <input type="checkbox"/> |                        | <input type="checkbox"/> | <input type="checkbox"/>                                      |   |               |
|          |                    |                  |       |                 |                  |        |                  | <input type="checkbox"/> | <input type="checkbox"/> |                        | <input type="checkbox"/> | <input type="checkbox"/>                                      |   |               |
|          |                    |                  |       |                 |                  |        |                  | <input type="checkbox"/> | <input type="checkbox"/> |                        | <input type="checkbox"/> | <input type="checkbox"/>                                      |   |               |



**EHRET GmbH**  
Bahnhofstrasse 14-18  
D-77972 Mahlberg  
Tel. +49(0) 78 22/439-0  
Fax +49(0) 78 22/439-116  
[www.ehret.com](http://www.ehret.com)

Made in Germany

© 11.2023 EHRET GmbH | F25.E | Subject to technical modifications