

Aluminium folding sliding shutters

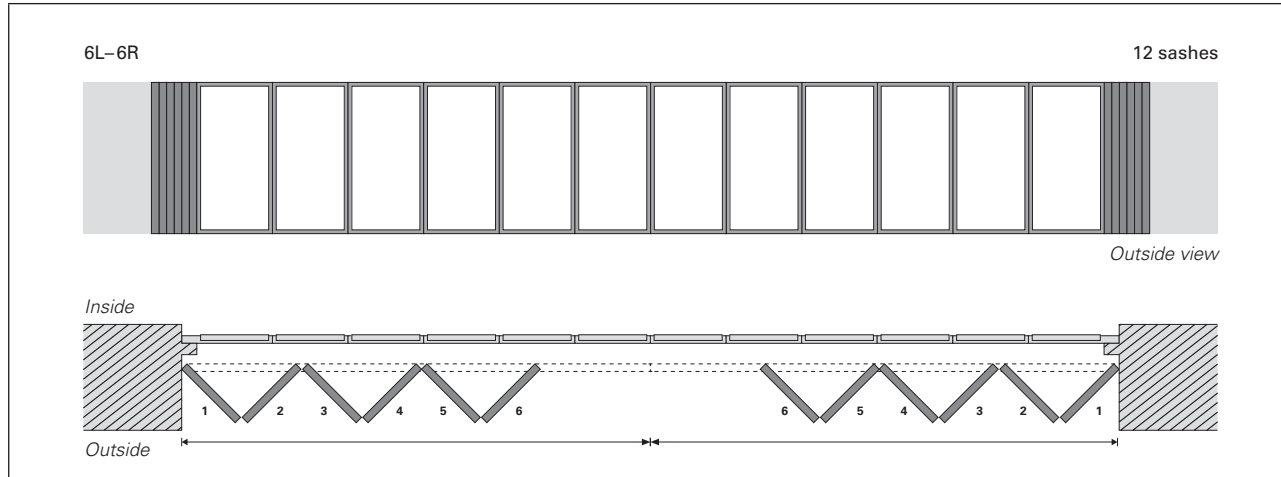
EFSL system



Order form and
planning tool

Stop diagrams

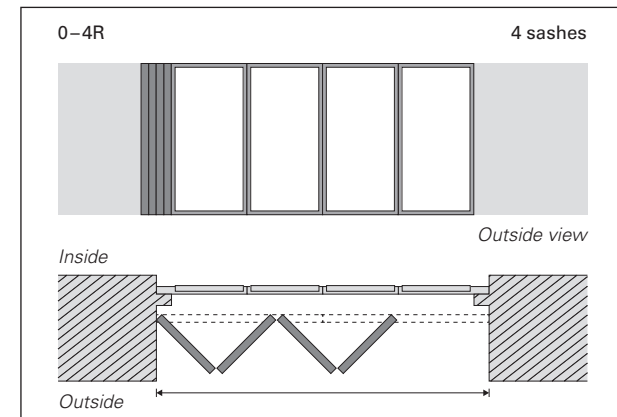
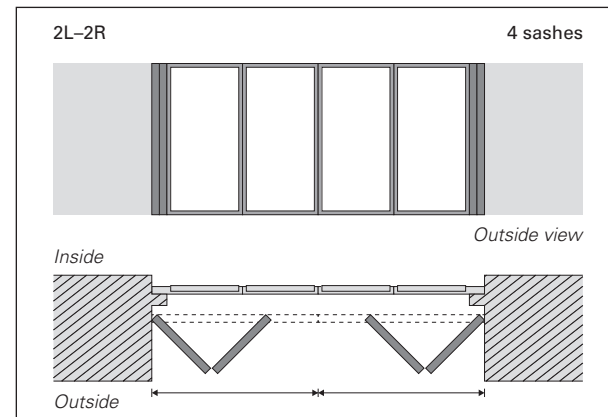
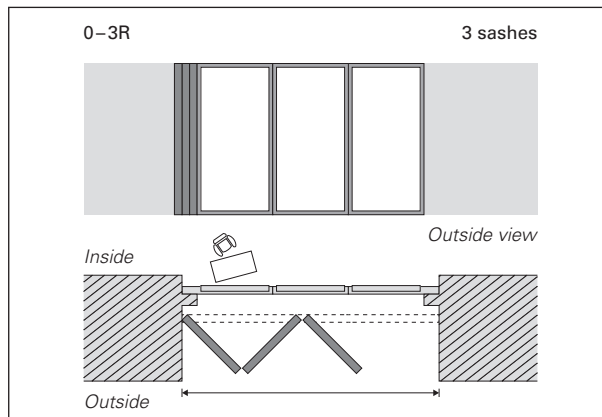
Sash distribution



The stop diagrams are sketched as if viewed from inside. The term 2L-4R stands for 2 sashes left (L) and 4 sashes right (R).

- All designs with an even or uneven number of sashes, up to a maximum of 8 per side, are possible.

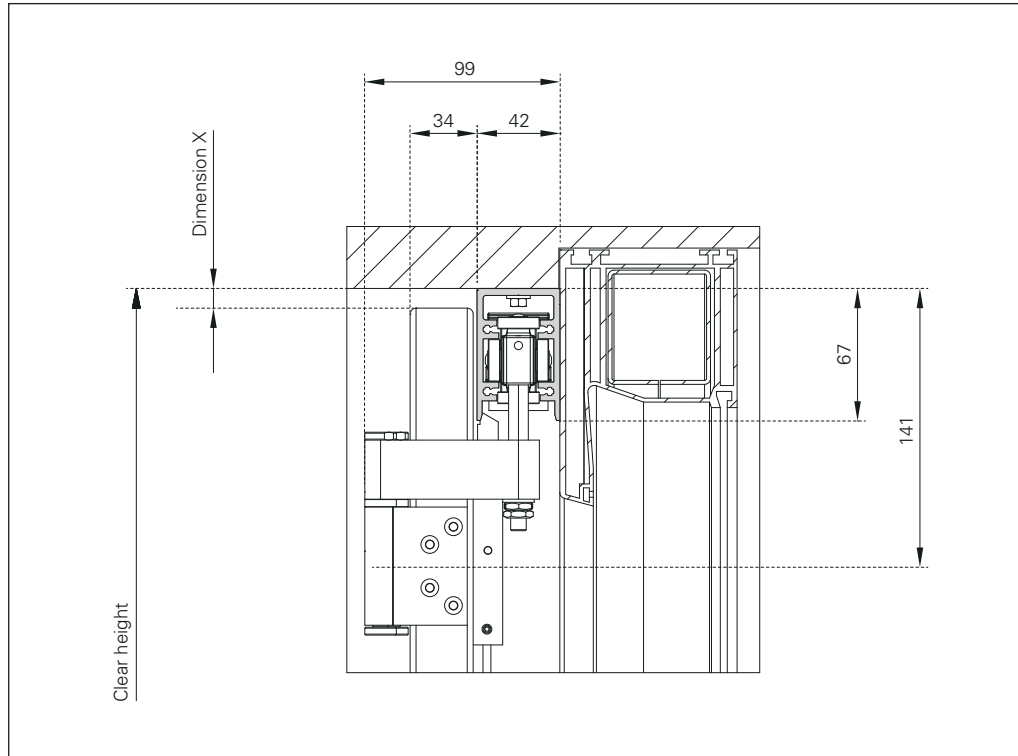
Examples



- Limited operability

Measuring instructions | EFSL | Shutter guide at top

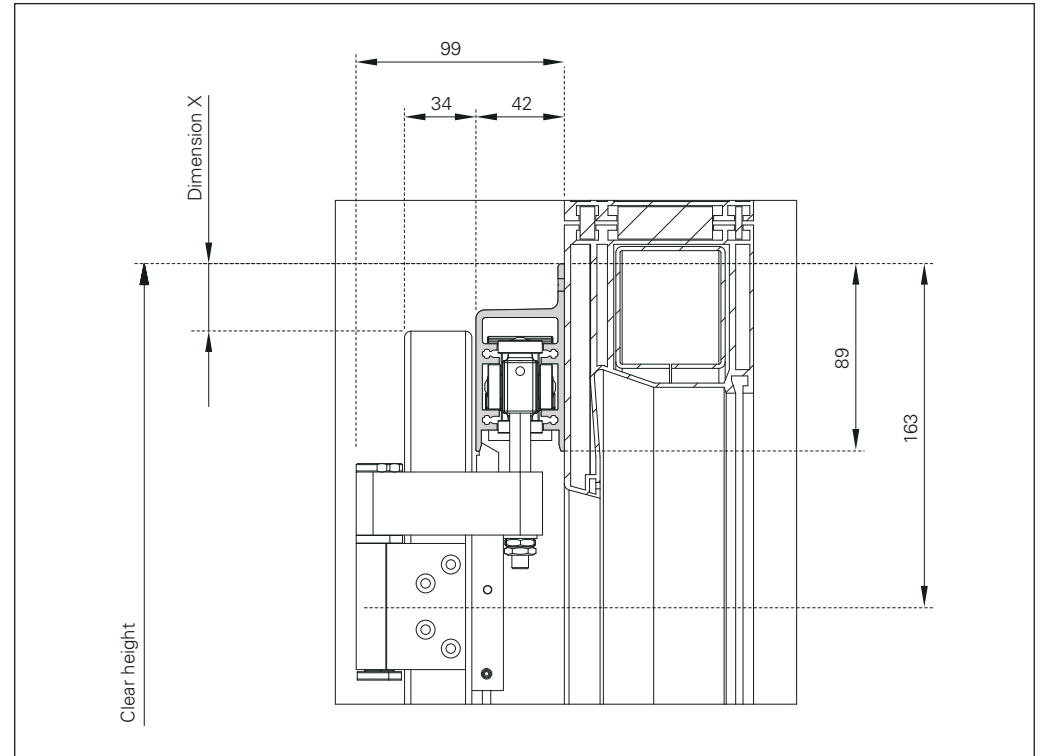
Type A (header installation)



- ▶ Specify the **clear height**.
- ▶ Specify **dimension X** (clear height to top edge of sash) for the top type A guide (header installation).
- ▶ Note the **min./max. dimensions**:
Dimension X: min. 5 mm / max. 54 mm

Important: If the ceiling juts out into the sash area, dimension X must be at least 5 mm.

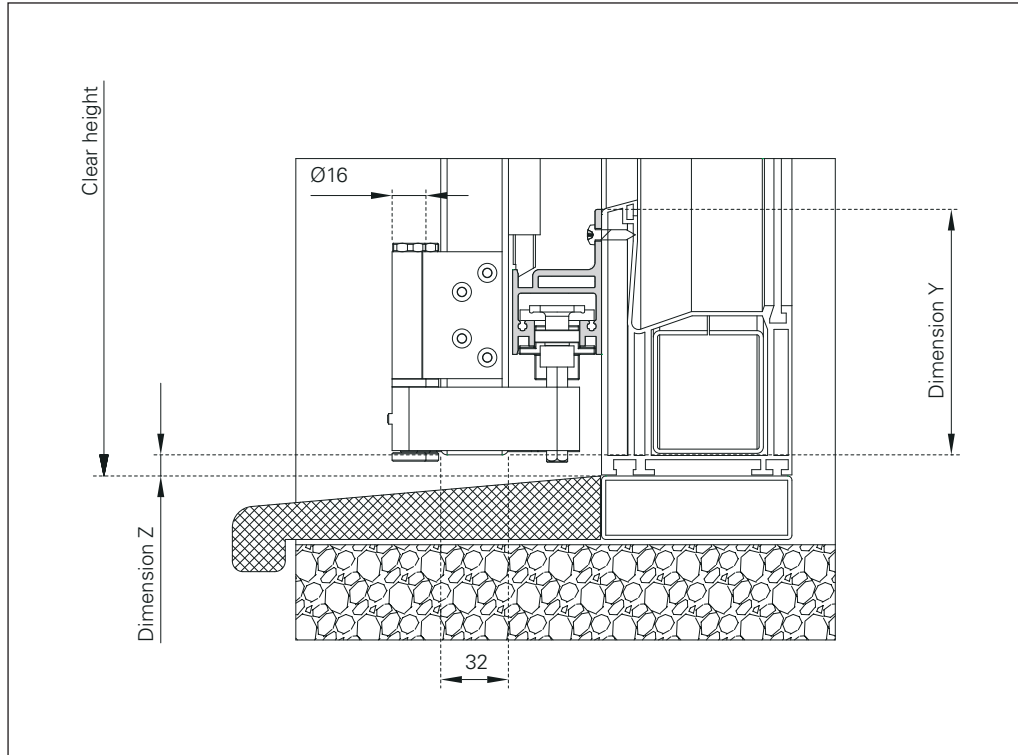
Type B (wall installation)



- ▶ Specify the **clear height**.
- ▶ Specify **dimension X** (clear height to top edge of sash) for the top type B guide (wall installation).
- ▶ Note the **min./max. dimensions**:
Dimension X: max. 76 mm

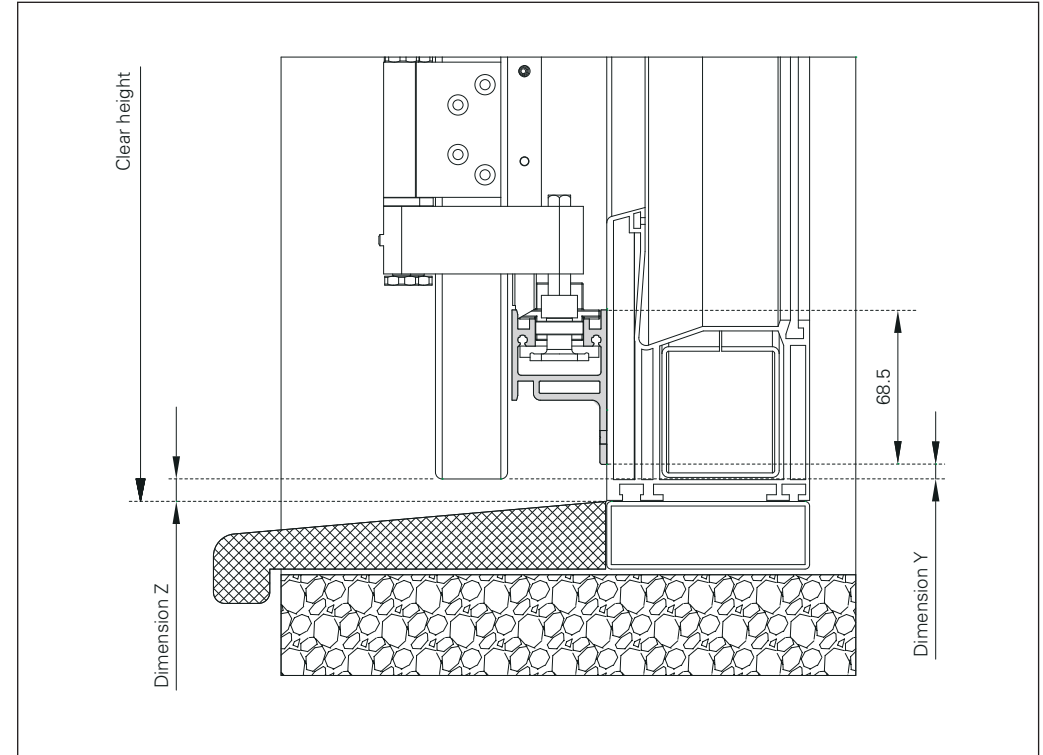
Measuring instructions | EFSL | Shutter guide at bottom

Type 1



- ▶ Specify the clear height.
- ▶ Specify **dimension Y** (nose of guide rail to bottom edge of sash) and **dimension Z** (clear height to bottom edge of sash) for the bottom guides.
- ▶ Note the **min./max. dimensions**:
Dimension Y: min. 116 mm / max. = sill height

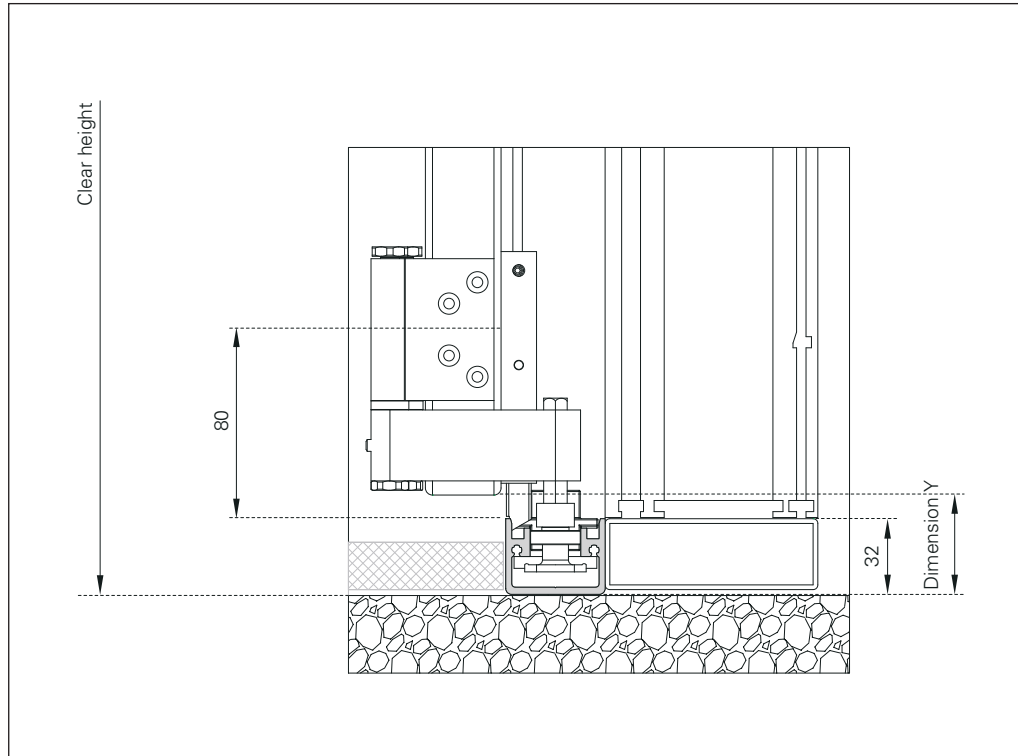
Type 2



- ▶ Specify the clear height.
- ▶ Specify **dimension Y** (nose of guide rail to bottom edge of sash) and **dimension Z** (clear height to bottom edge of sash) for the bottom guides.
- ▶ Note the **min./max. dimensions**:
Dimension Y: min. 5 mm / max. = sill height

Measuring instructions | EFSL | Shutter guide at bottom

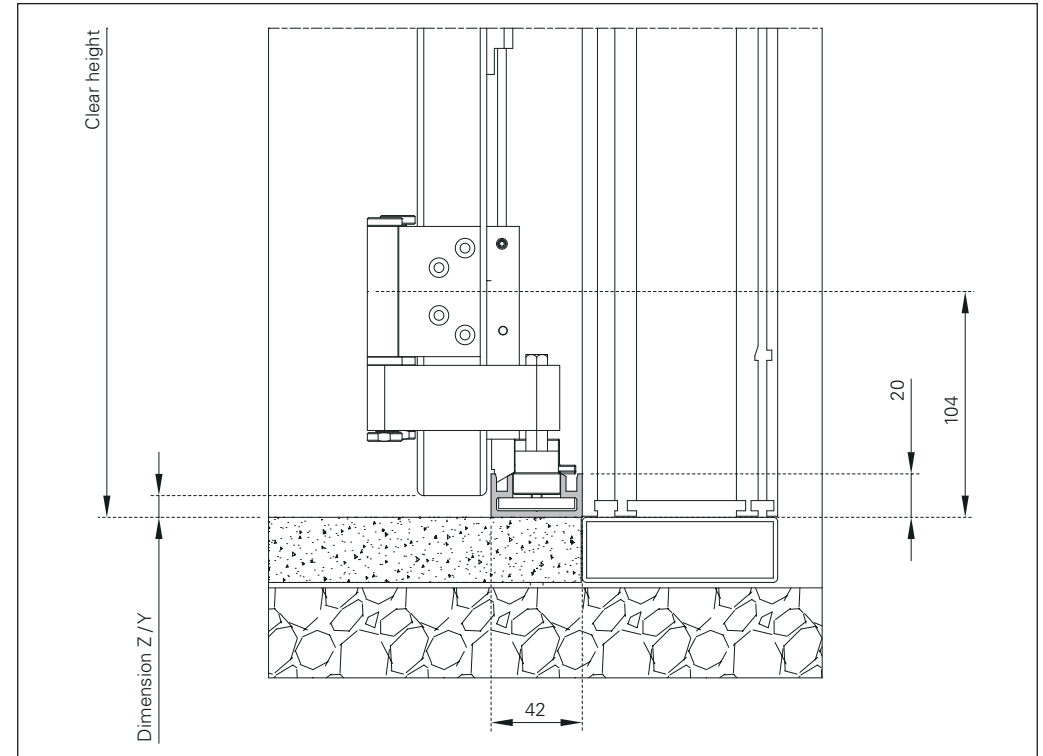
Type 3



- ▶ Specify the clear height.
- ▶ Specify dimension Y (bottom edge of guide rail to bottom edge of sash).
- ▶ Note the min./max. dimensions:
Dimension Y: min. 5 mm / max. 38 mm

Important: If the bottom guide rail is recessed or panelled, allow sufficient clearance for dimension Y between the bottom edge of the sash and the floor (recommendation min. 10 mm)!

Type 4

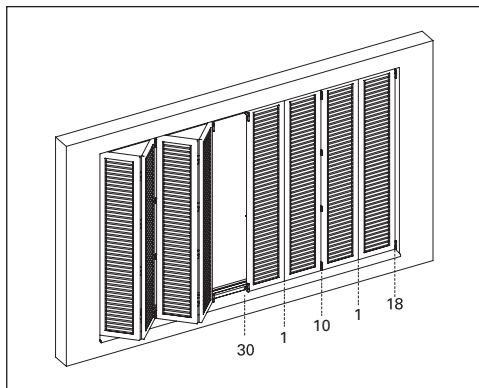


- ▶ Specify the clear height.
- ▶ Specify dimension Z/Y (back of guide rail to bottom edge of sash) for the bottom guides.
- ▶ Note the min./max. dimensions:
Dimension Y: min. 5 mm / max. 26 mm

Important: If the floor juts out into the sash area, dimension Z/Y must be at least 10 mm.

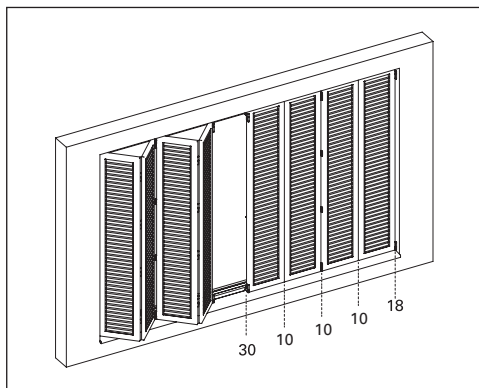
Measuring instructions | EFSL | Fittings and Accessories

EFSL and EHRET hinges FSL



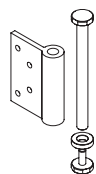
- Air between shutters: 1 | 10 | 1 | 10 mm etc.
- Air in the center: 30 mm
- Air to reveal left/right: 18 mm per side

EFSL hinges only

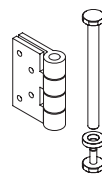


- Air between shutters: 10 | 10 | 10 mm etc.
- Air in the center: 30 mm
- Air to reveal left/right: 18 mm per side

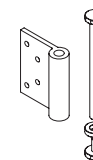
Hinges and locks



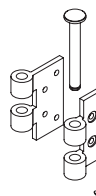
EFSL hinge
for pivot
131870



EFSL hinge
for carriage intermediate
131871

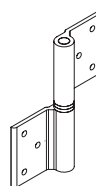
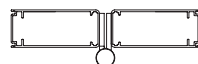


EFSL hinge
for guiding carriage
131873



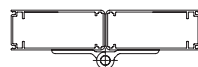
EFSL hinge complete
131872

*Assembly between the sashes
(front side)*



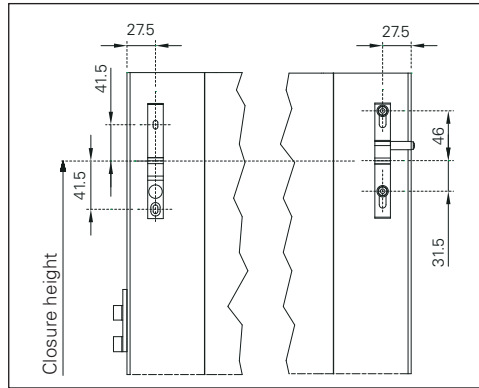
FSL hinge EHRET
131774 17 mm (standard)
131775 30 mm
131776 40 mm

*Assembly on the sashes
(frame inside or outside)*



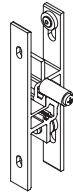
Measuring instructions | EFSL | Fittings and Accessories

Closure height of shutter holder



- Specify a closure height.
- The sashes are held open by a shutter holder (see drawing).

Shutter catch systems and locks



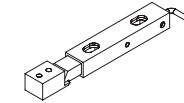
Shutter holder for doors
with rubber buffer

5835 17 mm
5833 30 mm
5834 40 mm



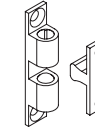
EFSL pull catch
131882

L = 400 mm
L = 800 mm
L = 1300 mm



EFSL pull catch
Centre-mounted

131893



Ball catch

131750

EFSL pull catch
according to customer
requirements

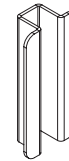
131889

L (max.) = 1900 mm



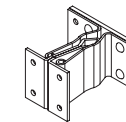
Shutter lock

131730 L = 420 mm
131731 L = 820 mm
131729 L_{max.} = 1520 mm



EFSL Pull handle

131897

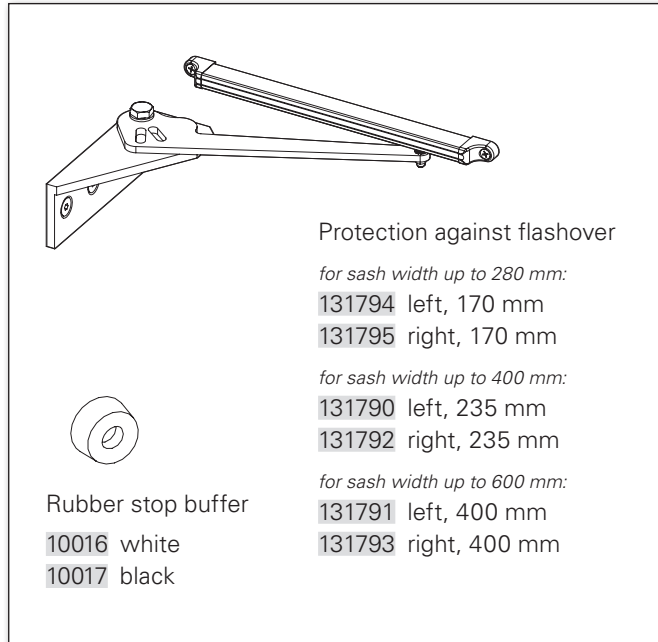


Arrester for shutter
with bracket

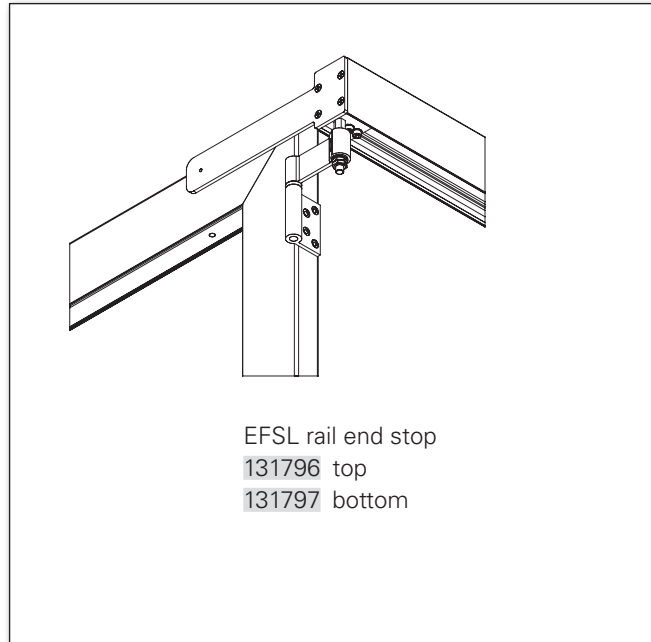
131616

EFSL | Fittings and Accessories | Securing packages

Package A | EFSL Protection against flashover



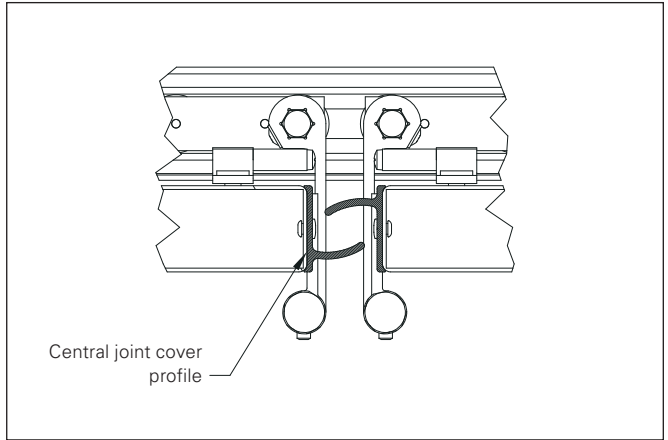
Package B | EFSL rail end stop



- To secure the opened sash packages, it is absolutely necessary to order and professionally install one of the two securing packages for the EFSL system!
- For stability reasons, the requirements and installation lengths must not be deviated from, among other things due to the large forces acting on an opened folding sliding shutter package at high wind speeds!

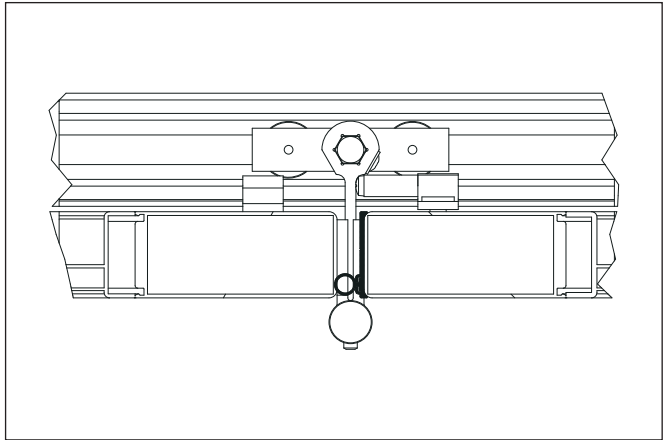
Options | Gap and joint cover

Central joint cover

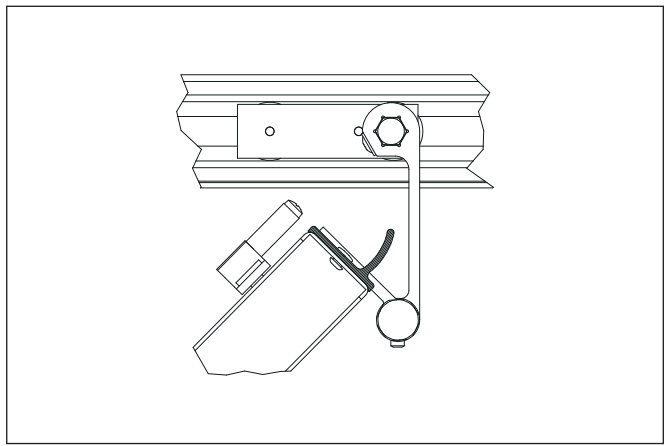


Closed

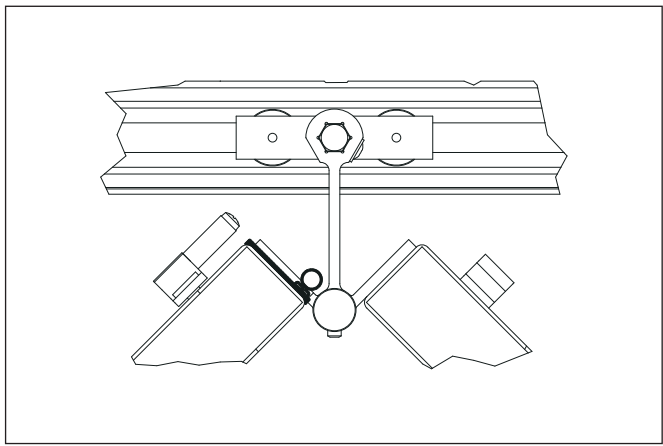
Joint cover between the sashes



Closed



Open



Open

EFSL | Hardware | Notes | Folding of sashes

Standard hardware

- EFSL hinges, coated*, pre-installed (for load-carrying and guide parts and between the sashes), included in the pre-installation price per sash
- Top pull catch, pre-installed* with pull handle pre-installed** (surcharge for pre-installation of handle)
- Shutter holder*, pre-installed**
- Sash height of 2000 mm or more, 2nd pull catch** pre-installed** (surcharge for pull catch and pre-installation); recommended (can be omitted at customer's request)
- Ball catches pre-installed** in the event of an odd number of sashes (surcharge for ball catches and pre-installation)
- Guide rails, undrilled (running metre prices for coated design); pre-drilling as an option (á = max. 400 mm), free of charge
- Other options on request

*Included in hardware package

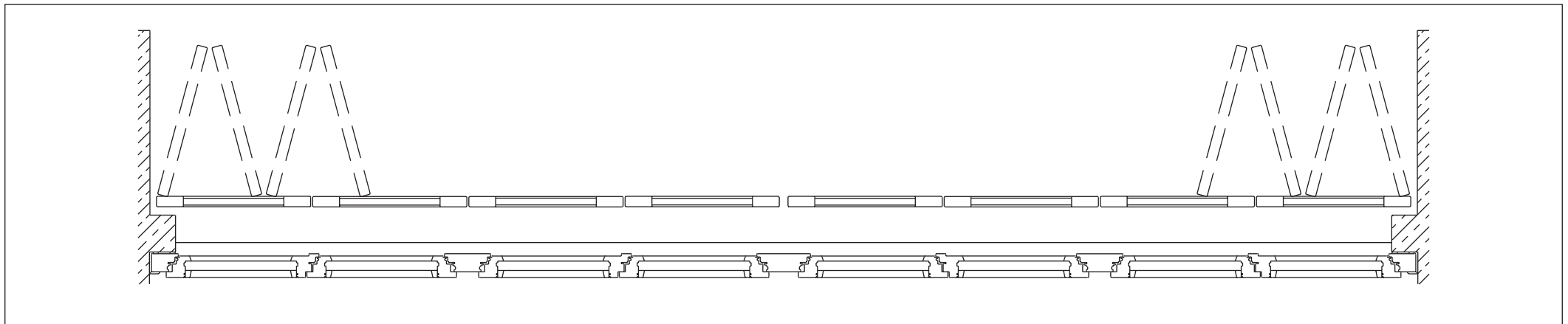
** Surcharge

Notes

- Min./max. dimensions: Width: 280–600 mm, height: 800–3000 mm
The sash size must not exceed 1.8 m².
- Carrying weight up to 30 kg
- Only for models with fixed slats or centres
- The sash package can only be positioned at right angles to the façade when open
- With an uneven number of sashes, an additional fastening is required when open
- Include a 2nd pull catch when height of sash is over 2000 mm
- All hardware can be coated except for the guide straps of the pull catch
- Mounted POM rollers (plastic), black
- Guide rails not pre-drilled (pre-drilling as an option: á = max. 400 mm)

Folding of sashes

folds outwards



Order form | Folding sliding shutters | EFSL system

Date _____ Page _____ of _____
 Your address and signature _____

 Your customer number _____
 Your processor _____
 Preferred delivery date _____
 Ocean Line plus yes

Consignment _____
 Shutter type _____
EFSL securing packages*
 Package A | Protection against flashover
 Package B | Rail end stop
 Hardware Pre-installed
 As standard
 Hinges and locks EFSL and EHRET
 EFSL hinges only
 Gap and joint cover Central joint cover
 Between the sashes
 Pre-installed

*Mandatory field! Order see extra page.

OFFER ORDER

	Surface	Colour system	Colour n°
Frame	<input type="checkbox"/> FSM <input type="checkbox"/> Wood finish <input type="checkbox"/> Various	<input type="checkbox"/> RAL <input type="checkbox"/> NCS <input type="checkbox"/> VSR	
Insert	<input type="checkbox"/> FSM <input type="checkbox"/> Wood finish <input type="checkbox"/> Various	<input type="checkbox"/> RAL <input type="checkbox"/> NCS <input type="checkbox"/> VSR	
Runner rail and guide rail	<input type="checkbox"/> FSM <input type="checkbox"/> Various	<input type="checkbox"/> RAL <input type="checkbox"/> NCS <input type="checkbox"/> VSR	
NATURE-SL12*	<input type="checkbox"/> 40 mm <input type="checkbox"/> 80 mm <input type="checkbox"/> Untreated	<input type="checkbox"/> 60 mm <input type="checkbox"/> 100 mm <input type="checkbox"/> Glazed on reverse	

*Type of wood: Siberian larch, planed, other woods available on request



Tel. +49 (0) 78 22/439-0
 Fax +49 (0) 78 22/439-217
 www.ehret.com

 Follow-up order
The original order no. must be specified in the event of follow-up deliveries:

Position	Number of elements	Number of sashes		Sashes in total	Dimensions		Shutter guide at top			Shutter guide at bottom			Closure height shutter holder	Lock at the top	Lock at the bottom				2nd pull catch recommended as of 2000 mm	EFSL turning lock	Handle height								
		Left	Right		Clear Width	Clear Height	Type A	Type B	Dimension X	Type 1	Type 2	Type 3			Type 4	Dimension Y	Dimension Z	Pull catch				400 mm	800 mm	1300 mm	according to customer requirements max. 1900 mm	400 mm	800 mm	1300 mm	according to customer requirements max. 1900 mm
							<input type="checkbox"/>	<input type="checkbox"/>		<input type="checkbox"/>	<input type="checkbox"/>	<input type="checkbox"/>	<input type="checkbox"/>			<input type="checkbox"/>	<input type="checkbox"/>	<input type="checkbox"/>	<input type="checkbox"/>		<input type="checkbox"/>	<input type="checkbox"/>	<input type="checkbox"/>		<input type="checkbox"/>	<input type="checkbox"/>			
							<input type="checkbox"/>	<input type="checkbox"/>		<input type="checkbox"/>	<input type="checkbox"/>	<input type="checkbox"/>	<input type="checkbox"/>			<input type="checkbox"/>	<input type="checkbox"/>	<input type="checkbox"/>	<input type="checkbox"/>		<input type="checkbox"/>	<input type="checkbox"/>	<input type="checkbox"/>		<input type="checkbox"/>	<input type="checkbox"/>			
							<input type="checkbox"/>	<input type="checkbox"/>		<input type="checkbox"/>	<input type="checkbox"/>	<input type="checkbox"/>	<input type="checkbox"/>			<input type="checkbox"/>	<input type="checkbox"/>	<input type="checkbox"/>	<input type="checkbox"/>		<input type="checkbox"/>	<input type="checkbox"/>	<input type="checkbox"/>		<input type="checkbox"/>	<input type="checkbox"/>			
							<input type="checkbox"/>	<input type="checkbox"/>		<input type="checkbox"/>	<input type="checkbox"/>	<input type="checkbox"/>	<input type="checkbox"/>			<input type="checkbox"/>	<input type="checkbox"/>	<input type="checkbox"/>	<input type="checkbox"/>		<input type="checkbox"/>	<input type="checkbox"/>	<input type="checkbox"/>		<input type="checkbox"/>	<input type="checkbox"/>			
							<input type="checkbox"/>	<input type="checkbox"/>		<input type="checkbox"/>	<input type="checkbox"/>	<input type="checkbox"/>	<input type="checkbox"/>			<input type="checkbox"/>	<input type="checkbox"/>	<input type="checkbox"/>	<input type="checkbox"/>		<input type="checkbox"/>	<input type="checkbox"/>	<input type="checkbox"/>		<input type="checkbox"/>	<input type="checkbox"/>			
							<input type="checkbox"/>	<input type="checkbox"/>		<input type="checkbox"/>	<input type="checkbox"/>	<input type="checkbox"/>	<input type="checkbox"/>			<input type="checkbox"/>	<input type="checkbox"/>	<input type="checkbox"/>	<input type="checkbox"/>		<input type="checkbox"/>	<input type="checkbox"/>	<input type="checkbox"/>		<input type="checkbox"/>	<input type="checkbox"/>			
							<input type="checkbox"/>	<input type="checkbox"/>		<input type="checkbox"/>	<input type="checkbox"/>	<input type="checkbox"/>	<input type="checkbox"/>			<input type="checkbox"/>	<input type="checkbox"/>	<input type="checkbox"/>	<input type="checkbox"/>		<input type="checkbox"/>	<input type="checkbox"/>	<input type="checkbox"/>		<input type="checkbox"/>	<input type="checkbox"/>			
							<input type="checkbox"/>	<input type="checkbox"/>		<input type="checkbox"/>	<input type="checkbox"/>	<input type="checkbox"/>	<input type="checkbox"/>			<input type="checkbox"/>	<input type="checkbox"/>	<input type="checkbox"/>	<input type="checkbox"/>		<input type="checkbox"/>	<input type="checkbox"/>	<input type="checkbox"/>		<input type="checkbox"/>	<input type="checkbox"/>			

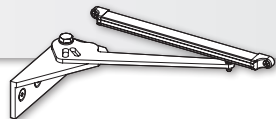
Folding sliding shutters | EFSL system | Securing packages



Date _____ Page _____ of _____ Consignment _____

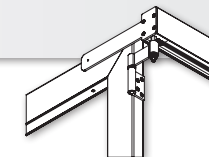
Your customer number _____

Paket A | EFSL Protection against flashover



Pos.	Protection against flashover 170 mm <i>Art. no. 131794 / 131795</i>	Protection against flashover 235 mm <i>Art. no. 131790 / 131792</i>	Protection against flashover 400 mm <i>Art. no. 131791 / 131793</i>	Rubber stop buffer white	Rubber stop buffer black	Additional information
	<input type="checkbox"/>	<input type="checkbox"/>	<input type="checkbox"/>	<input type="checkbox"/>	<input type="checkbox"/>	
	<input type="checkbox"/>	<input type="checkbox"/>	<input type="checkbox"/>	<input type="checkbox"/>	<input type="checkbox"/>	
	<input type="checkbox"/>	<input type="checkbox"/>	<input type="checkbox"/>	<input type="checkbox"/>	<input type="checkbox"/>	
	<input type="checkbox"/>	<input type="checkbox"/>	<input type="checkbox"/>	<input type="checkbox"/>	<input type="checkbox"/>	
	<input type="checkbox"/>	<input type="checkbox"/>	<input type="checkbox"/>	<input type="checkbox"/>	<input type="checkbox"/>	
	<input type="checkbox"/>	<input type="checkbox"/>	<input type="checkbox"/>	<input type="checkbox"/>	<input type="checkbox"/>	
	<input type="checkbox"/>	<input type="checkbox"/>	<input type="checkbox"/>	<input type="checkbox"/>	<input type="checkbox"/>	
	<input type="checkbox"/>	<input type="checkbox"/>	<input type="checkbox"/>	<input type="checkbox"/>	<input type="checkbox"/>	
	<input type="checkbox"/>	<input type="checkbox"/>	<input type="checkbox"/>	<input type="checkbox"/>	<input type="checkbox"/>	

Paket B | EFSL Rail end stop



Position	rail end stop top <i>Art. no. 131796</i>	rail end stop bottom <i>Art. no. 131797</i>	Additional information
	<input type="checkbox"/>	<input type="checkbox"/>	
	<input type="checkbox"/>	<input type="checkbox"/>	
	<input type="checkbox"/>	<input type="checkbox"/>	
	<input type="checkbox"/>	<input type="checkbox"/>	
	<input type="checkbox"/>	<input type="checkbox"/>	
	<input type="checkbox"/>	<input type="checkbox"/>	
	<input type="checkbox"/>	<input type="checkbox"/>	
	<input type="checkbox"/>	<input type="checkbox"/>	
	<input type="checkbox"/>	<input type="checkbox"/>	

- To secure the opened sash packages, it is absolutely necessary to order and professionally install one of the two securing packages for the EFSL system!
- For stability reasons, the requirements and installation lengths must not be deviated from, among other things due to the large forces acting on an opened folding sliding shutter package at high wind speeds!

Item	Additional information

EHRET GmbH

Bahnhofstrasse 14-18

77972 Mahlberg, Germany

Tel. +49(0) 78 22/439-0

Fax +49(0) 78 22/439-116

www.ehret.com

Made in Germany

© 11.2023 EHRET GmbH | F29.E | Subject to technical modifications