

VOLETRONIC Solar

Motorisation for window shutters



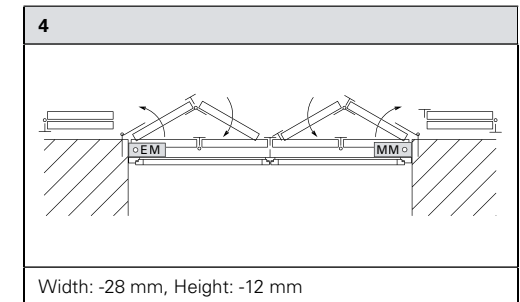
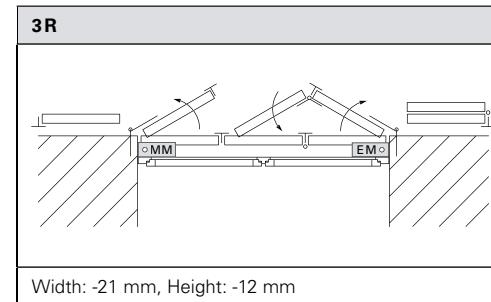
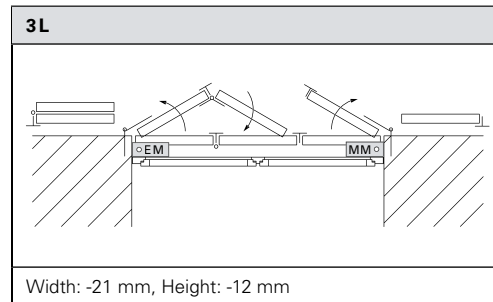
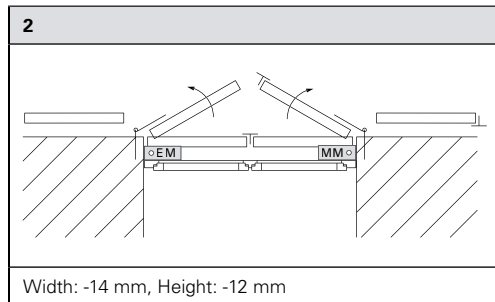
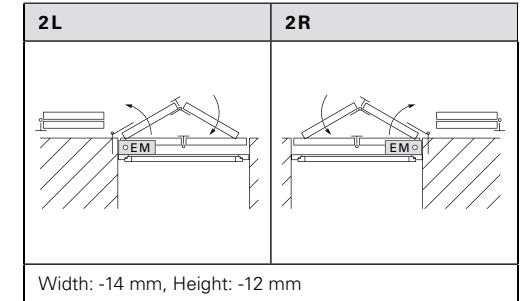
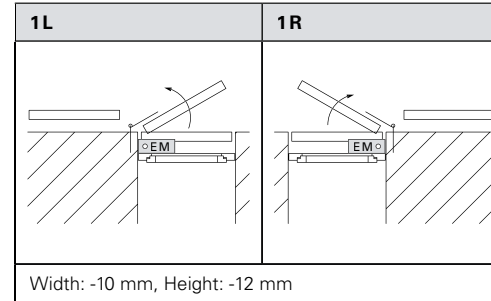
Order form and
planning tool

Stop diagrams

◻EM EM = electromechanical module (main module)
 ◻EM MM = mechanical module (secondary module)

Each view is from the inside!

The specified deduction clearances are taken into consideration as standard.



Application table for motorisation

Diagram	Clear width	Sash width
1R/1L	340 – 810 mm	330 – 800 mm
2R/2L	575 – 1614 mm	280 – 800 mm
2	665 – 1614 mm	326 – 800 mm
3R/3L	861 – 2421 mm	280 – 800 mm
4	1148 – 2500 mm	280 – 618 mm

- Weight of max. 50 kg per drive side
- Clear opening of max. 2.0 m² per drive side
- Sash width of max. 800 mm
- Deviating sizes on request

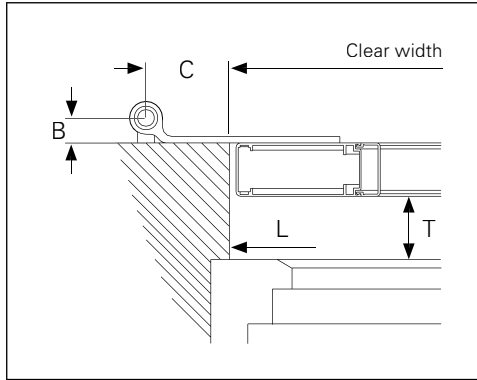
Chart cable exit

Diagrams	Side of cable exit
1L, 2L, 2, 3L, 4	on the left
1R, 2R, 3R	on the right

- The cable exit is on the back of the drive housing.

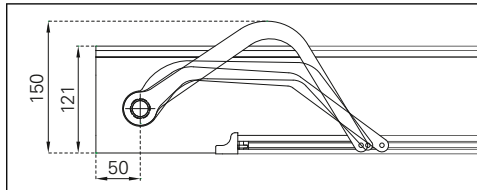
Installation types

Installation type 1 butt in reveal



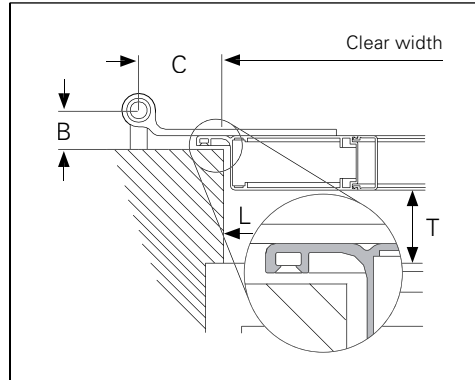
• L = Clear motor

T dimension



• T = min. 121/151 mm (depending on the sash arm)

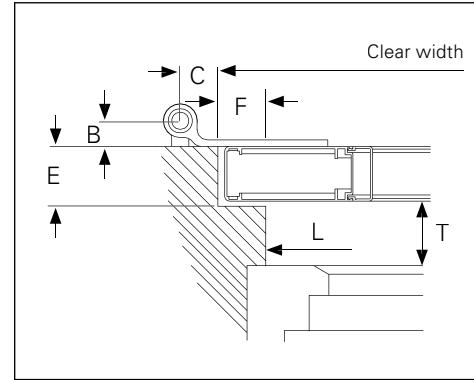
Installation type 2 butt with rabbet bead



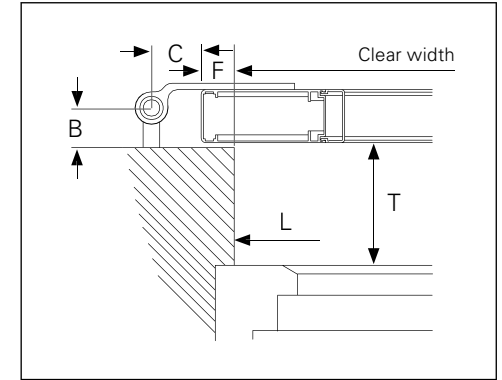
Rabbet moulding type:

- Type 1: 3-sided (left, right and top)
- Type 2: 4-sided (left, right, top and bottom)
- Type 3: 1-sided (left)
- Type 4: 1-sided (right)
- Type 5: 1-sided (top)
- Type 6: 1-sided (bottom)
- Type 7: 2-sided (left and right)
- Type 8: 2-sided (top and bottom)
- Type 9: 2-sided (left and top)
- Type 10: 2-sided (right and top)

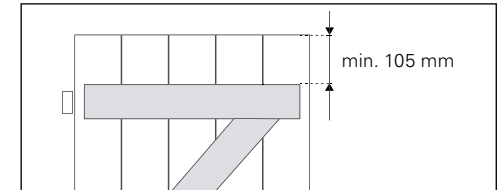
Installation type 3 in rabbet



Installation type 4 superjacent

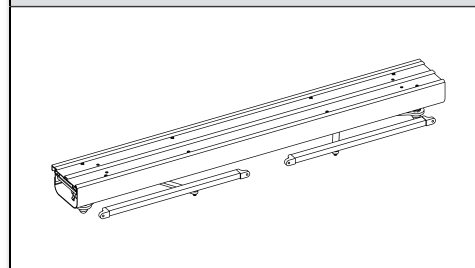


BEAUNE/ISO (-B, -BB, -Z, -ZZ)

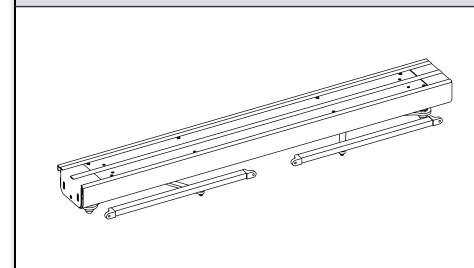


Installation variants

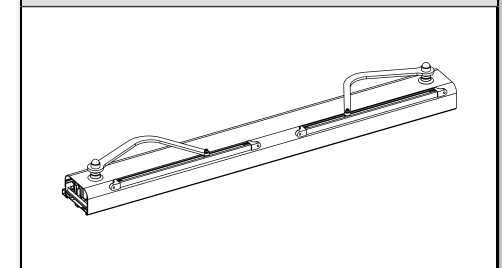
Variant A Header installation



Variant B Reveal installation (on the side)



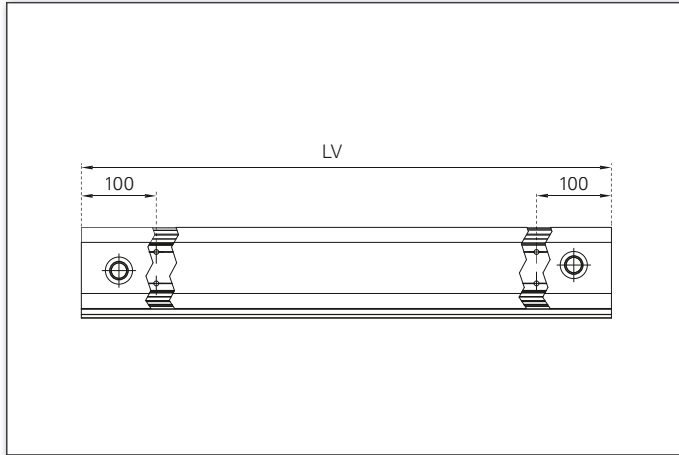
Variant C At the bottom above the window sill



Measuring instructions | Fastening for façade inserts and insulation installation

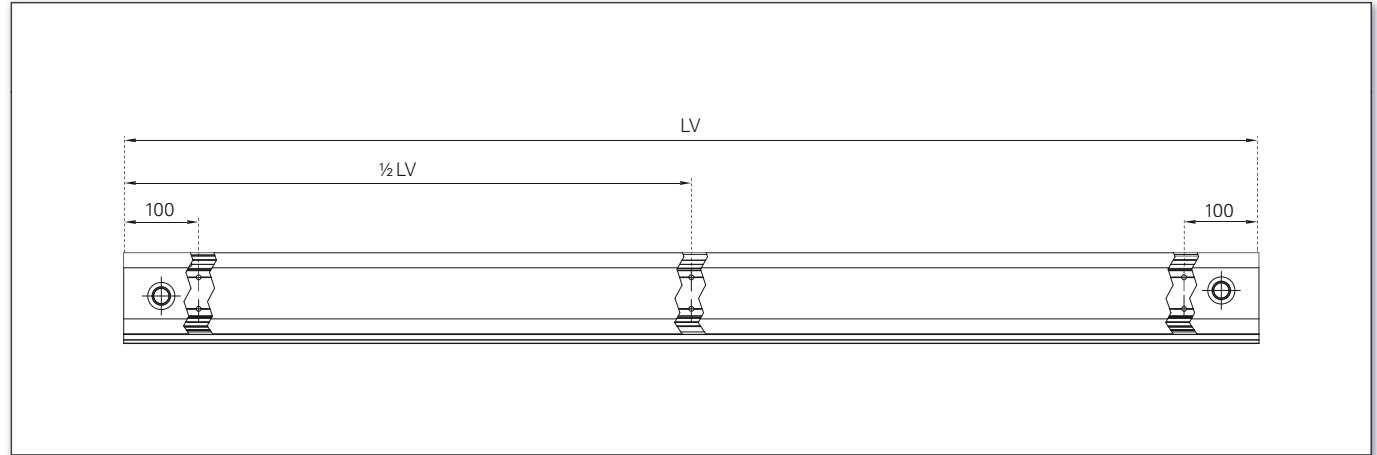
VOLETRONIC Solar

A Length of drive: 575 – 1499 mm



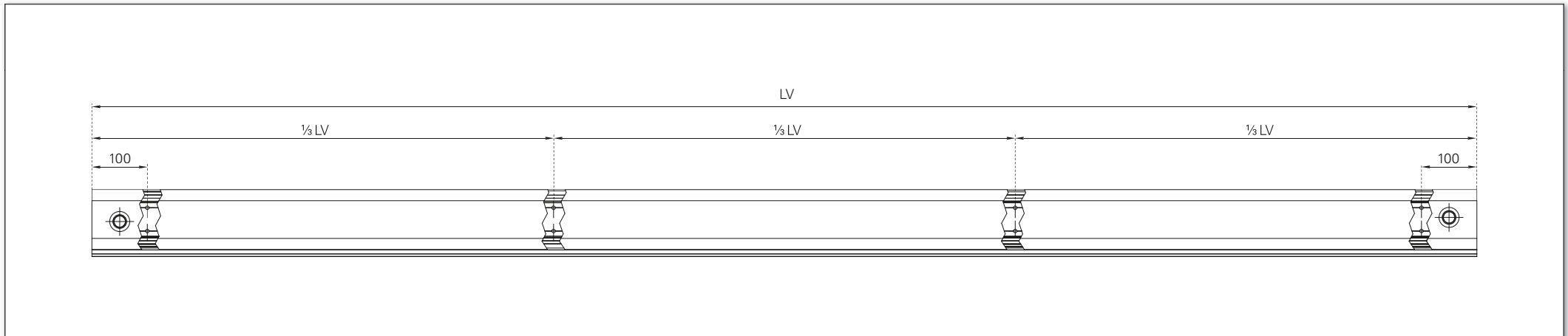
• LV = Length of drive

B Length of drive: 1500 – 1999 mm



• LV = Length of drive

C Length of drive: 2000 – 2500 mm

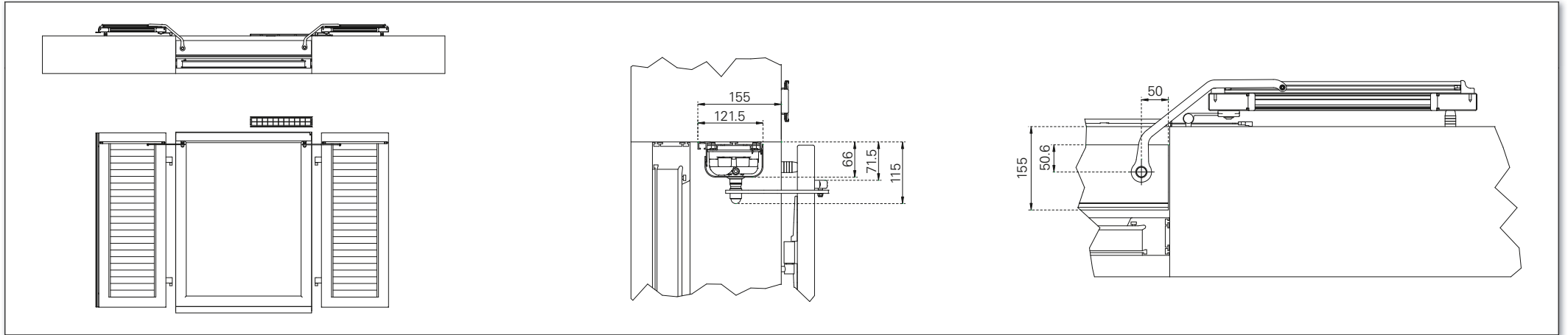


• LV = Length of drive

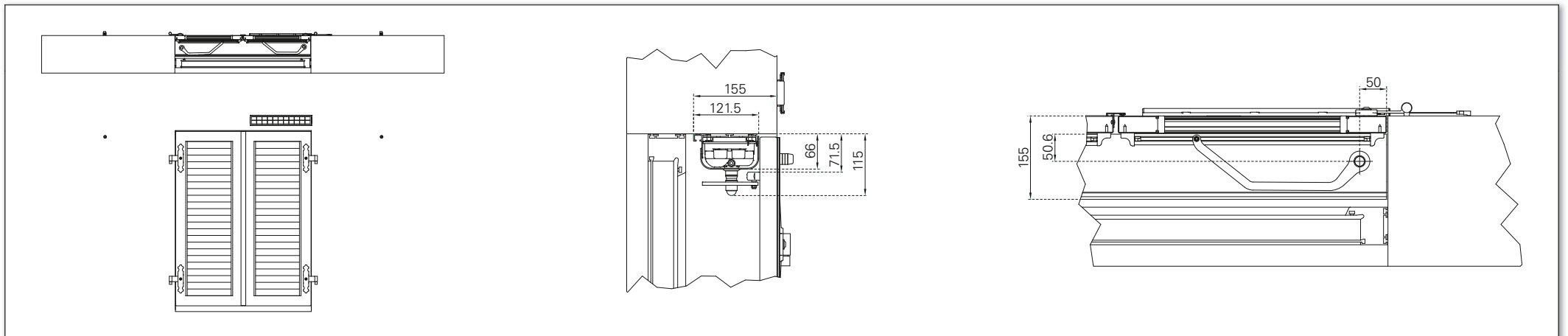
Measuring instructions

VOLETRONIC Solar

Open

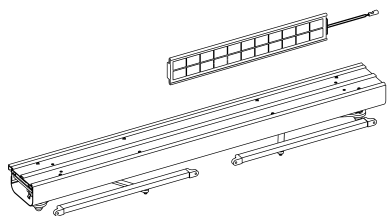


Closed



VOLETRONIC Solar | Window shutter drive | Options

WINDOW SHUTTER DRIVE



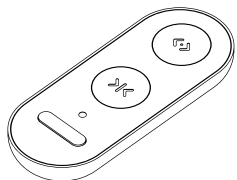
VOLETRONIC Solar window shutter drive, incl. drive modules, drive housing, sash arms, guide rails, solar panel, remote control, connection cable (0.6 m)

6610

INFO

- The drives are pre-programmed and delivered fully charged.
- The wireless hand-held transmitter is calibrated for the drive.
- The direction of rotation and priority of the sashes is configured.

OPERATION



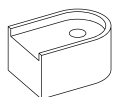
Wireless hand-held transmitter with holder

Additional hand transmitter, 1-channel **6603**

Replacement main transmitter, 1-channel **6634**

INFO

- Additional hand transmitter: LED lights up orange, Replacement main transmitter: LED lights up red
- When reordering the replacement main transmitter, the serial no. of the drive.



Support for end piece of window shutter drive, pair

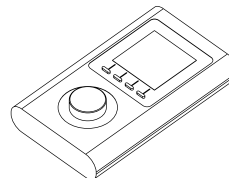
P

6220

INFO

- for use with overlapping slats

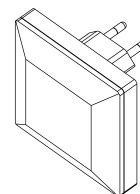
OPTIONS AND ACCESSORIES



Timer

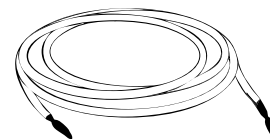
4-channel

6632



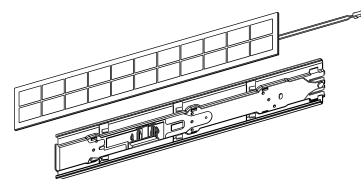
iDiamant, building control system module

6633



Extension cable 3 m, 4-point terminal, photovoltaic cell connection

6631



Solar panel

Additional Photovoltaic cell

6620

Additional Photovoltaic cell holder

6621

Order form | VOLETRONIC Solar | Window shutter drive

Date _____ Page _____ of _____
 Your address and signature _____

 Your customer number _____
 Your processor _____
 Preferred delivery date _____

Consignment _____
 Window shutter model _____
 Replacement main transmitter
Serial no. drive: _____
 Additional hand transmitter pcs
 4-channel timer pcs
 iDiamant *building control system* pcs
 Additional Photovoltaic cell pcs
 Additional solar panel holder pcs

	<input type="checkbox"/> OFFER	<input type="checkbox"/> ORDER
	<i>Surface</i>	<i>Colour system</i> <i>Colour number</i>
Housing	<input type="checkbox"/> FSM <input type="checkbox"/> Finish <input type="checkbox"/> Various	<input type="checkbox"/> RAL <input type="checkbox"/> NCS <input type="checkbox"/> VSR
Sash arms and Guide rail	<input type="checkbox"/> FSM <input type="checkbox"/> Various	<input type="checkbox"/> RAL <input type="checkbox"/> NCS <input type="checkbox"/> VSR
Sashes	<input type="checkbox"/> Ocean Line plus	



Tel. +49 (0) 78 22/439-0
 Fax +49 (0) 78 22/439-217
 www.ehret.com

Additional order
 If an additional delivery, ensure you specify the original order no.:

► Order is accepted subject to a technical inspection!

Item	Number of elements	Installation type 1/2/3/4	Stop diagram	Dimension L <i>Clear motor</i>	Clear dimensions		B	C	E	F	T	Installation variants			Extension cable Length 3 m	Sash arm no. **	Miscellaneous
					Width	Height						Variant A <i>Header installation</i>	Variant B <i>Reveal installation</i>	Variant C <i>at the bottom above window sill</i>			
												<input type="checkbox"/>	<input type="checkbox"/>	<input type="checkbox"/>	<input type="checkbox"/>		
												<input type="checkbox"/>	<input type="checkbox"/>	<input type="checkbox"/>	<input type="checkbox"/>		
												<input type="checkbox"/>	<input type="checkbox"/>	<input type="checkbox"/>	<input type="checkbox"/>		
												<input type="checkbox"/>	<input type="checkbox"/>	<input type="checkbox"/>	<input type="checkbox"/>		
												<input type="checkbox"/>	<input type="checkbox"/>	<input type="checkbox"/>	<input type="checkbox"/>		
												<input type="checkbox"/>	<input type="checkbox"/>	<input type="checkbox"/>	<input type="checkbox"/>		
												<input type="checkbox"/>	<input type="checkbox"/>	<input type="checkbox"/>	<input type="checkbox"/>		
												<input type="checkbox"/>	<input type="checkbox"/>	<input type="checkbox"/>	<input type="checkbox"/>		
												<input type="checkbox"/>	<input type="checkbox"/>	<input type="checkbox"/>	<input type="checkbox"/>		
												<input type="checkbox"/>	<input type="checkbox"/>	<input type="checkbox"/>	<input type="checkbox"/>		
												<input type="checkbox"/>	<input type="checkbox"/>	<input type="checkbox"/>	<input type="checkbox"/>		

*Each view is from the inside! **Field for internal use – Please leave blank.

EHRET GmbH

Bahnhofstrasse 14-18

D-77972 Mahlberg

Tel. +49(0) 78 22/439-0

Fax +49(0) 78 22/439-116

www.ehret.com

Made in Germany

© 09.2021 EHRET GmbH | F31.E | Subject to technical modifications