

Garage door

Orléans



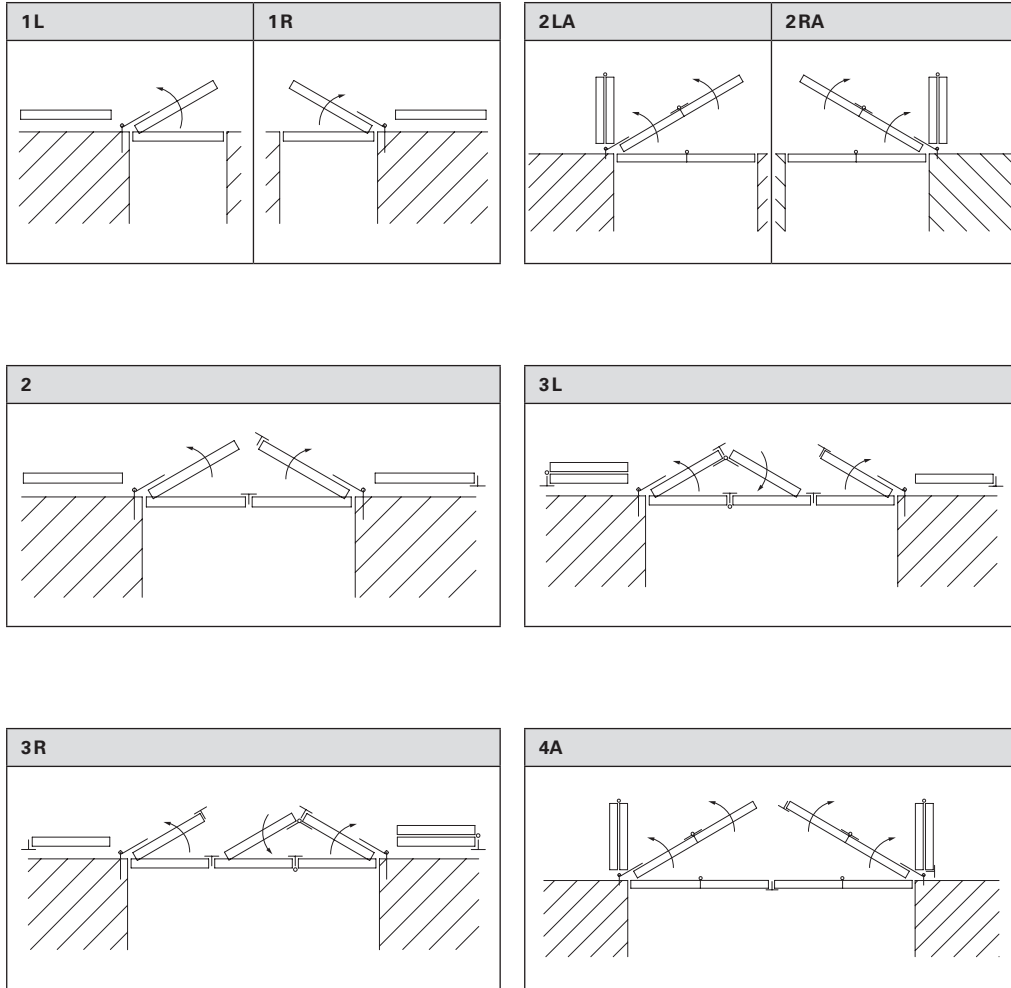
Order form and  
planning tool

# Stop diagrams

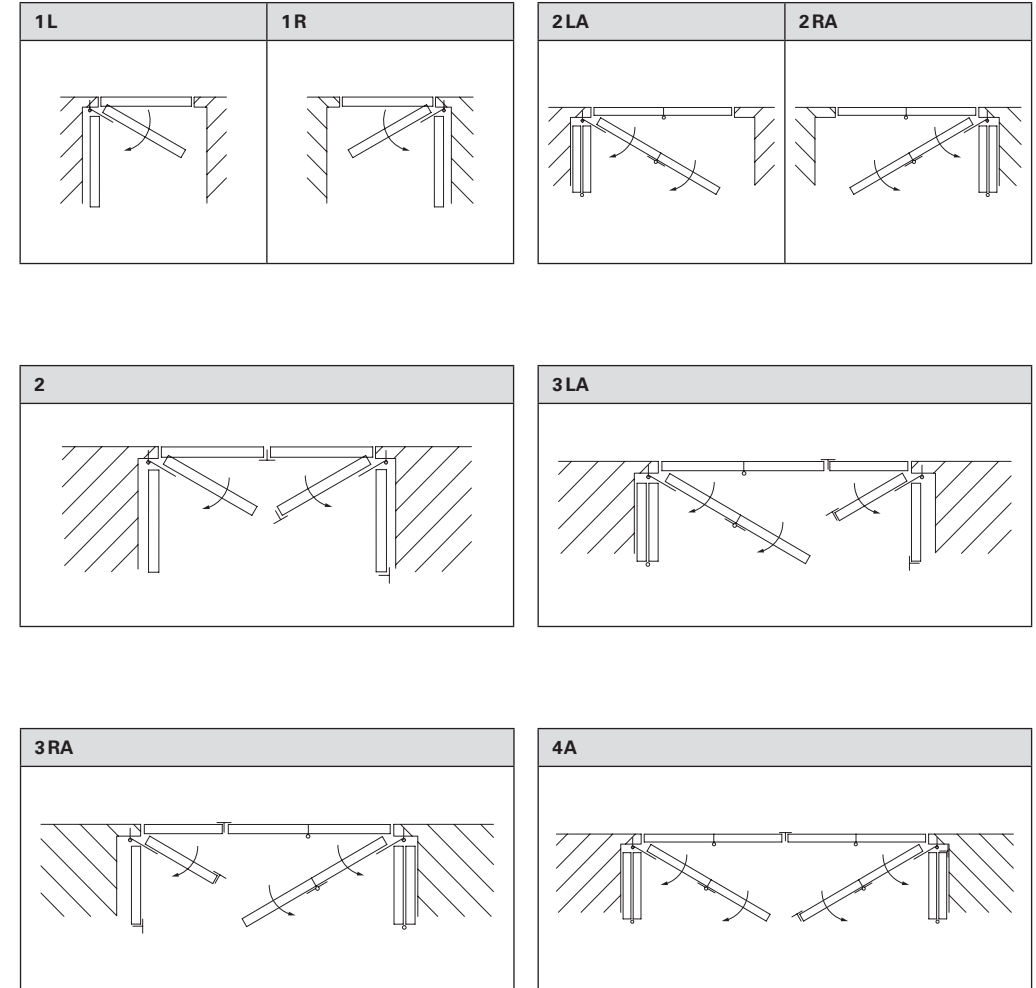
Each view is from the inside!

- Deduction clearances are taken into consideration as standard.

## opening outwards



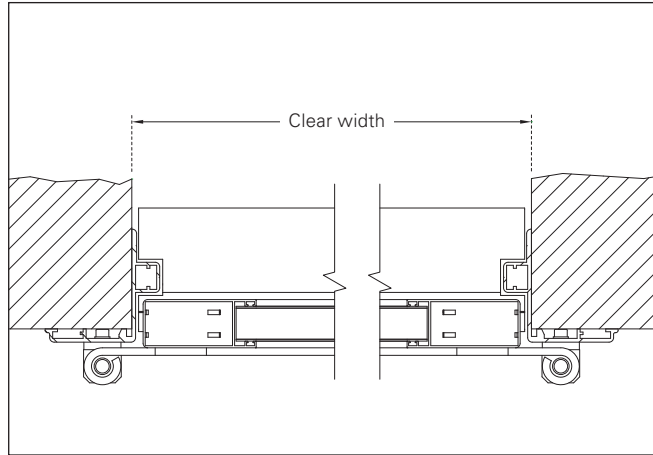
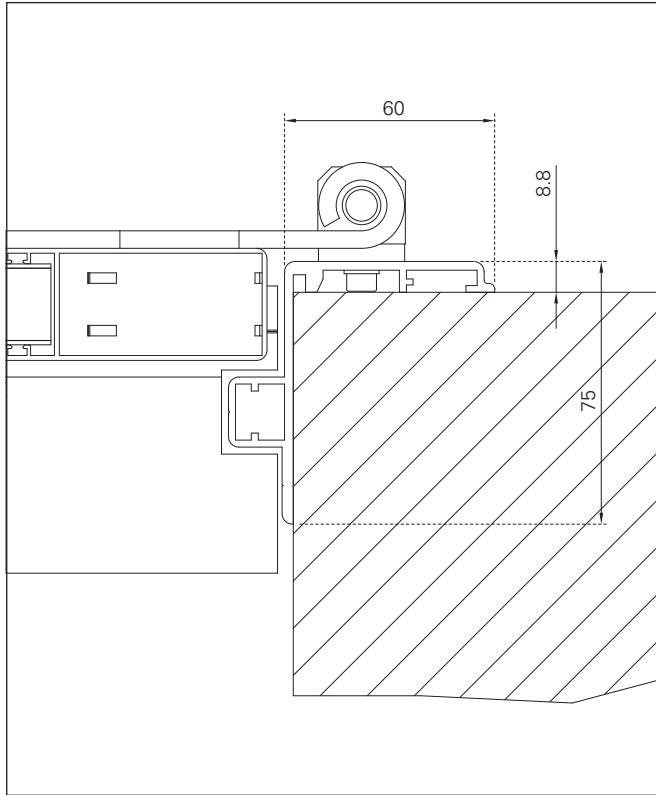
## opening inwards



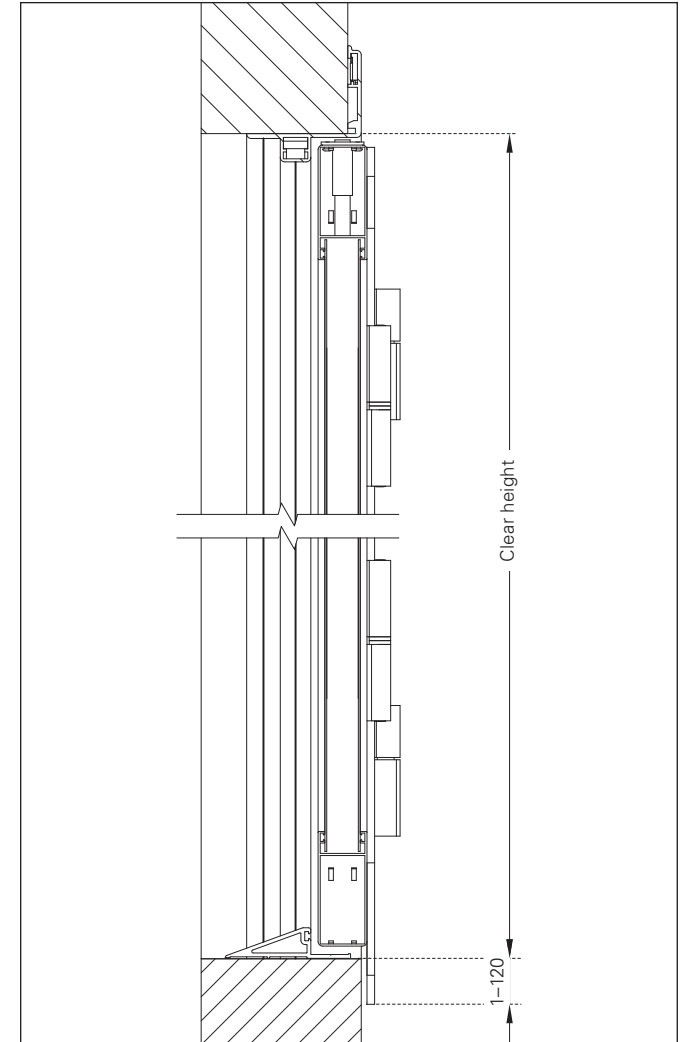
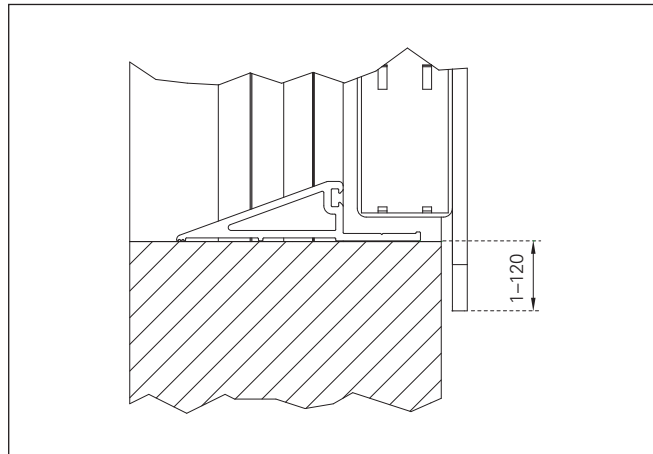
- Important: Sashes asymmetrical!

# Measuring instructions

Measurements taken with clear width/height and stop diagram



Frame extension option (1–120 mm)

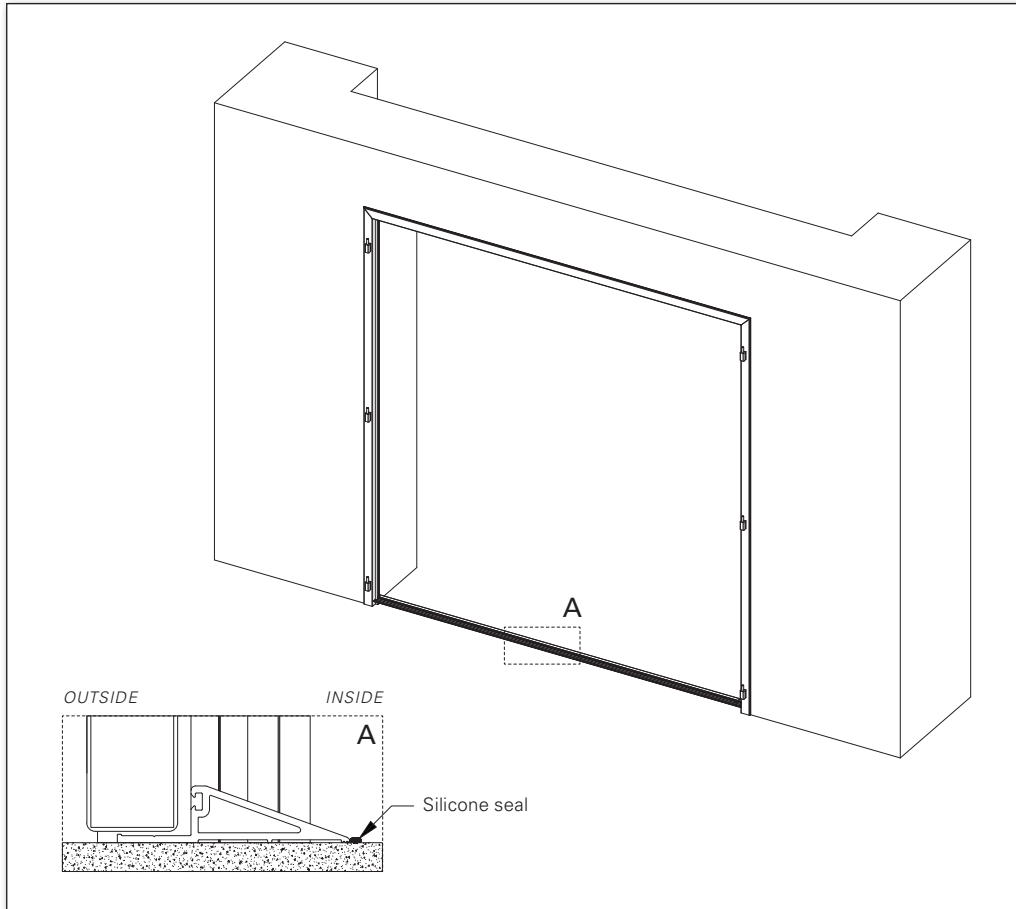


## Deduction clearances (from EHRET)

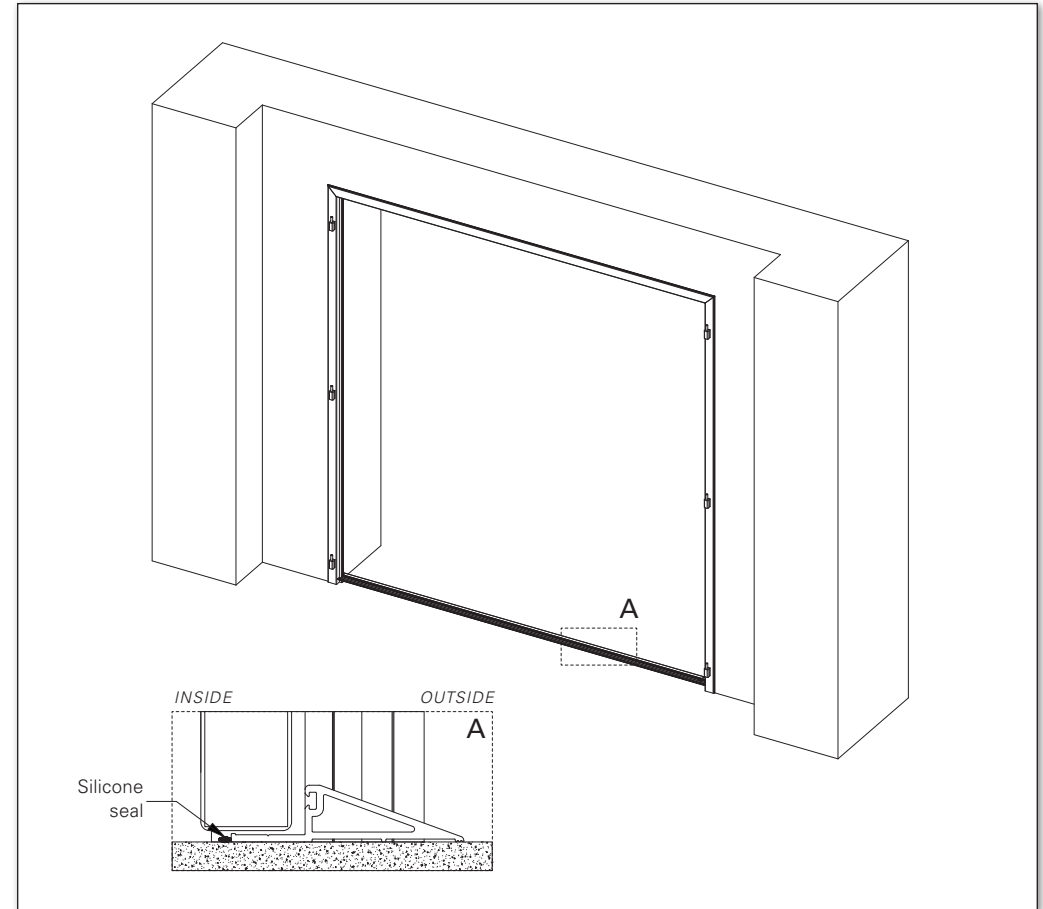
- Clear width: -10 mm
  - Clear height 3-sided: -5 mm
- The specified deduction clearances are taken into consideration as standard.

# Measuring instructions

Frame installed on the outside / opening outwards



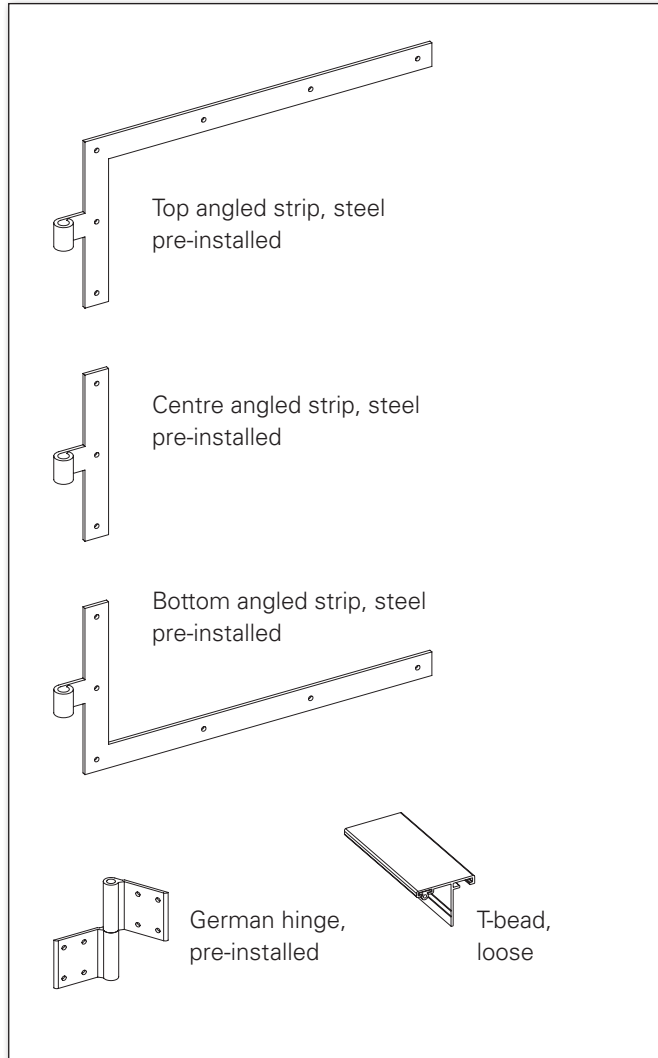
Frame installed on the inside / opening inwards



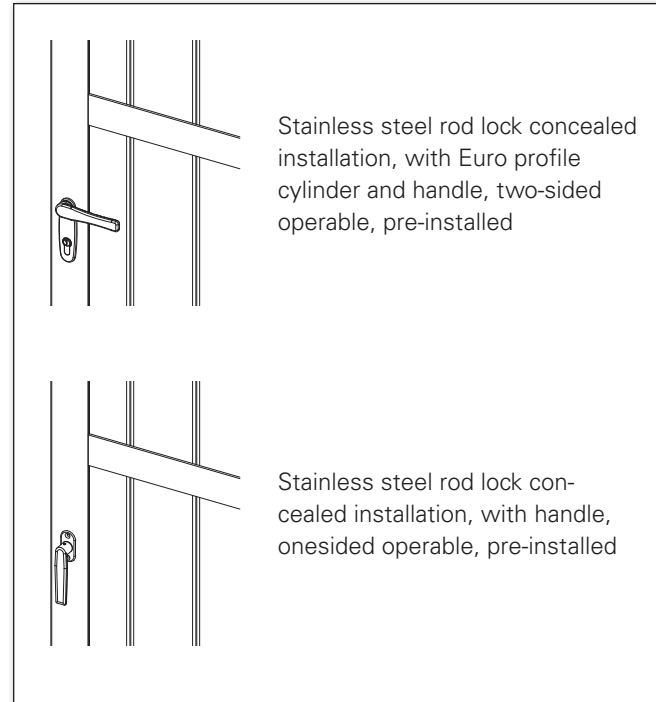
Clear width	Clear height
500–2800 mm	800–2500 mm

# Pre-installation and fittings

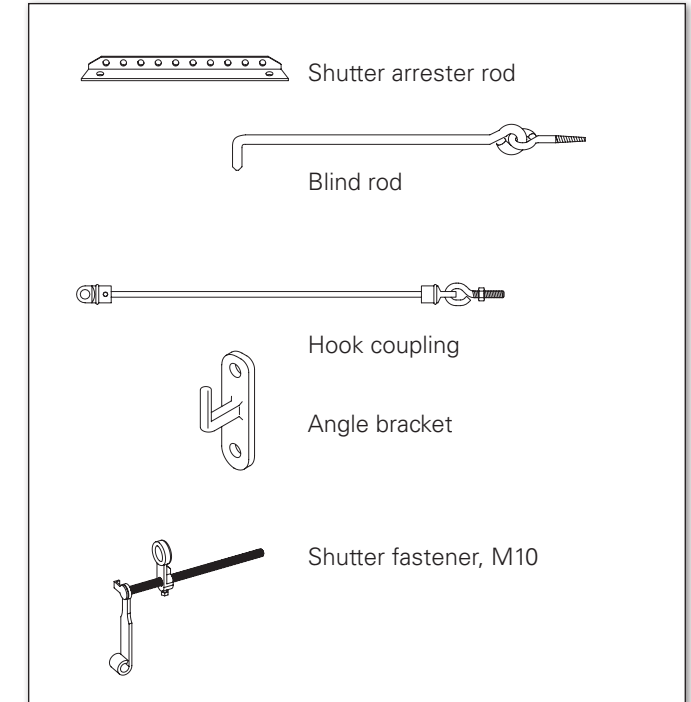
## Sash fittings



## Pre-installation of lock



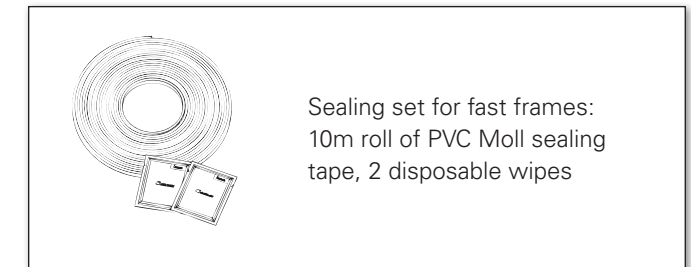
## Additional shutter catch option, loose



## Shutter catch, pre-installed

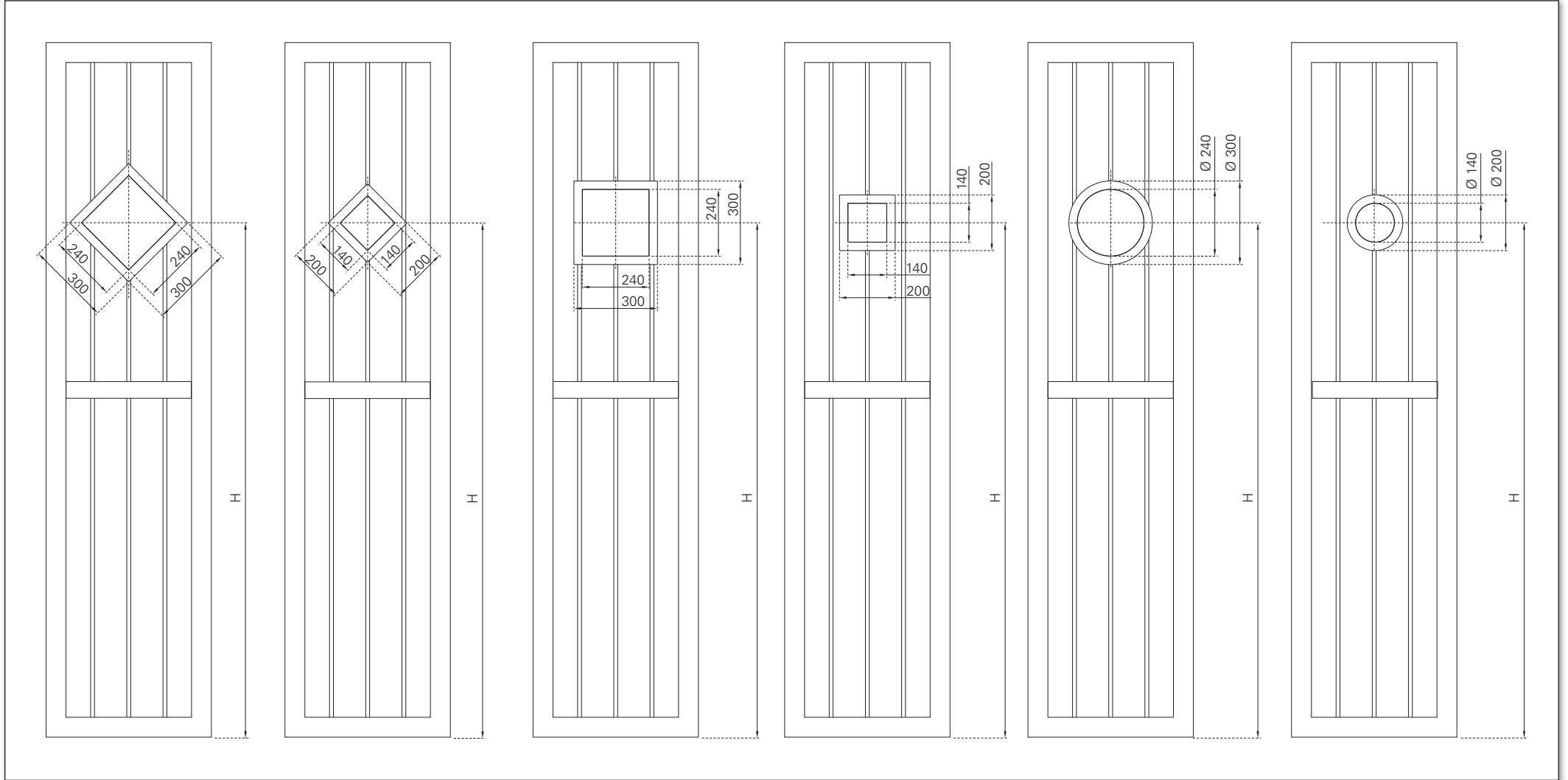


## Optional accessories



# Light cut-outs

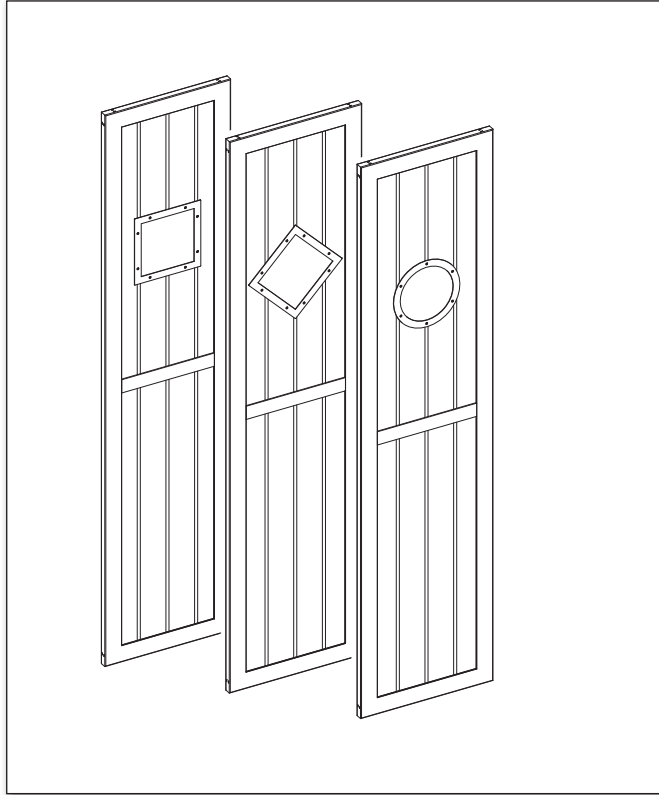
## Variants



• H = height of light cut-out

# Insert for light cut-outs

## Light cut-outs



### Acrylic glass for insert

- Clear
- Frosted
- Lightly smoked

### Light cut-out shape

- Circular
- Square
- Diamond (diagonal square)

### Exterior frame dimensions for insert

- Circular  $\varnothing 200$  mm
- Circular  $\varnothing 300$  mm
- Square  $200 \times 200$  mm
- Square  $300 \times 300$  mm
- Diamond  $200 \times 200$  mm
- Diamond  $300 \times 300$  mm

# Order form | Garage door Orléans

Date \_\_\_\_\_ Page \_\_\_\_\_ of \_\_\_\_\_  
 Your address and signature \_\_\_\_\_

Your customer number \_\_\_\_\_  
 Your processor \_\_\_\_\_  
 Preferred delivery date \_\_\_\_\_

Consignment \_\_\_\_\_

Shutter model  TSW-Q  
 TSW-RS-Q  
 TSW-RW-Q

---

Ocean Line plus  yes  
 Pre-installation  yes

	<input type="checkbox"/> OFFER	<input type="checkbox"/> ORDER
Frame	<input type="checkbox"/> FSM <input type="checkbox"/> Finish <input type="checkbox"/> Various	<input type="checkbox"/> RAL <input type="checkbox"/> NCS <input type="checkbox"/> VSR
Sash	<input type="checkbox"/> FSM <input type="checkbox"/> Finish <input type="checkbox"/> Various	<input type="checkbox"/> RAL <input type="checkbox"/> NCS <input type="checkbox"/> VSR
Frame	<input type="checkbox"/> FSM	<input type="checkbox"/> RAL
Insert	<input type="checkbox"/> Finish <input type="checkbox"/> Various	<input type="checkbox"/> NCS <input type="checkbox"/> VSR
Fittings	<input type="checkbox"/> FSM <input type="checkbox"/> Various	<input type="checkbox"/> RAL <input type="checkbox"/> NCS <input type="checkbox"/> VSR



Tel. +49 (0) 78 22/439-0  
 Fax +49 (0) 78 22/439-217  
[www.ehret.com](http://www.ehret.com)

**Additional order**  
 If an additional delivery, ensure you specify the original order no.:

► Please enter any additional fitting options on the extra page.

Item	Stop diagram	Clear dimensions		opening		Insert						Option frame extension 1-120 mm	Acrylic glass			Fittings			Miscellaneous		
		Clear width in mm	Clear height in mm	outwards	inwards	Circular Ø200 mm	Circular Ø300 mm	Square 200x200 mm	Square 300x300 mm	Diamond 200x200 mm	Diamond 300x300 mm		Height of light cut-out	Clear	Frosted	Lightly smoked	Rod & lock bar	Hook & angle bracket		Sash lock M10	Sealing set for fast frames
				<input type="checkbox"/>	<input type="checkbox"/>	<input type="checkbox"/>	<input type="checkbox"/>	<input type="checkbox"/>	<input type="checkbox"/>	<input type="checkbox"/>	<input type="checkbox"/>	<input type="checkbox"/>	_____ mm	<input type="checkbox"/>	<input type="checkbox"/>	<input type="checkbox"/>	<input type="checkbox"/>	<input type="checkbox"/>	<input type="checkbox"/>	<input type="checkbox"/>	
				<input type="checkbox"/>	<input type="checkbox"/>	<input type="checkbox"/>	<input type="checkbox"/>	<input type="checkbox"/>	<input type="checkbox"/>	<input type="checkbox"/>	<input type="checkbox"/>	<input type="checkbox"/>	_____ mm	<input type="checkbox"/>	<input type="checkbox"/>	<input type="checkbox"/>	<input type="checkbox"/>	<input type="checkbox"/>	<input type="checkbox"/>	<input type="checkbox"/>	
				<input type="checkbox"/>	<input type="checkbox"/>	<input type="checkbox"/>	<input type="checkbox"/>	<input type="checkbox"/>	<input type="checkbox"/>	<input type="checkbox"/>	<input type="checkbox"/>	<input type="checkbox"/>	_____ mm	<input type="checkbox"/>	<input type="checkbox"/>	<input type="checkbox"/>	<input type="checkbox"/>	<input type="checkbox"/>	<input type="checkbox"/>	<input type="checkbox"/>	
				<input type="checkbox"/>	<input type="checkbox"/>	<input type="checkbox"/>	<input type="checkbox"/>	<input type="checkbox"/>	<input type="checkbox"/>	<input type="checkbox"/>	<input type="checkbox"/>	<input type="checkbox"/>	_____ mm	<input type="checkbox"/>	<input type="checkbox"/>	<input type="checkbox"/>	<input type="checkbox"/>	<input type="checkbox"/>	<input type="checkbox"/>	<input type="checkbox"/>	
				<input type="checkbox"/>	<input type="checkbox"/>	<input type="checkbox"/>	<input type="checkbox"/>	<input type="checkbox"/>	<input type="checkbox"/>	<input type="checkbox"/>	<input type="checkbox"/>	<input type="checkbox"/>	_____ mm	<input type="checkbox"/>	<input type="checkbox"/>	<input type="checkbox"/>	<input type="checkbox"/>	<input type="checkbox"/>	<input type="checkbox"/>	<input type="checkbox"/>	
				<input type="checkbox"/>	<input type="checkbox"/>	<input type="checkbox"/>	<input type="checkbox"/>	<input type="checkbox"/>	<input type="checkbox"/>	<input type="checkbox"/>	<input type="checkbox"/>	<input type="checkbox"/>	_____ mm	<input type="checkbox"/>	<input type="checkbox"/>	<input type="checkbox"/>	<input type="checkbox"/>	<input type="checkbox"/>	<input type="checkbox"/>	<input type="checkbox"/>	
				<input type="checkbox"/>	<input type="checkbox"/>	<input type="checkbox"/>	<input type="checkbox"/>	<input type="checkbox"/>	<input type="checkbox"/>	<input type="checkbox"/>	<input type="checkbox"/>	<input type="checkbox"/>	_____ mm	<input type="checkbox"/>	<input type="checkbox"/>	<input type="checkbox"/>	<input type="checkbox"/>	<input type="checkbox"/>	<input type="checkbox"/>	<input type="checkbox"/>	
				<input type="checkbox"/>	<input type="checkbox"/>	<input type="checkbox"/>	<input type="checkbox"/>	<input type="checkbox"/>	<input type="checkbox"/>	<input type="checkbox"/>	<input type="checkbox"/>	<input type="checkbox"/>	_____ mm	<input type="checkbox"/>	<input type="checkbox"/>	<input type="checkbox"/>	<input type="checkbox"/>	<input type="checkbox"/>	<input type="checkbox"/>	<input type="checkbox"/>	
				<input type="checkbox"/>	<input type="checkbox"/>	<input type="checkbox"/>	<input type="checkbox"/>	<input type="checkbox"/>	<input type="checkbox"/>	<input type="checkbox"/>	<input type="checkbox"/>	<input type="checkbox"/>	_____ mm	<input type="checkbox"/>	<input type="checkbox"/>	<input type="checkbox"/>	<input type="checkbox"/>	<input type="checkbox"/>	<input type="checkbox"/>	<input type="checkbox"/>	
				<input type="checkbox"/>	<input type="checkbox"/>	<input type="checkbox"/>	<input type="checkbox"/>	<input type="checkbox"/>	<input type="checkbox"/>	<input type="checkbox"/>	<input type="checkbox"/>	<input type="checkbox"/>	_____ mm	<input type="checkbox"/>	<input type="checkbox"/>	<input type="checkbox"/>	<input type="checkbox"/>	<input type="checkbox"/>	<input type="checkbox"/>	<input type="checkbox"/>	





**EHRET GmbH**

Bahnhofstrasse 14-18

D-77972 Mahlberg

Tel. +49(0) 78 22/439-0

Fax +49(0) 78 22/439-116

[www.ehret.com](http://www.ehret.com)

Made in Germany

© 06.2023 EHRET GmbH | F32.E | Subject to technical modifications