

## VOLETRONIC io

Motorisation for window shutters

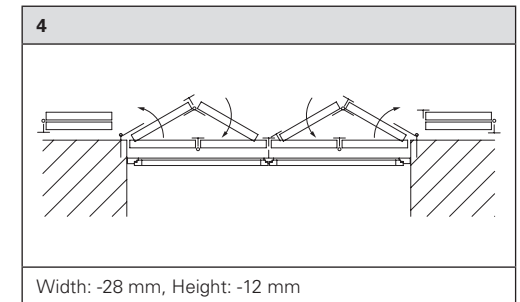
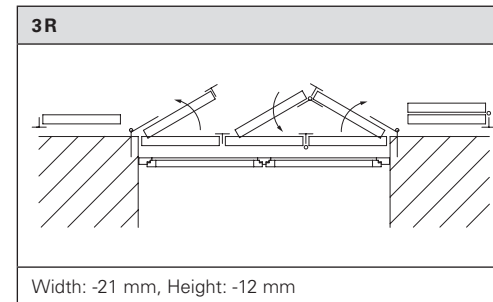
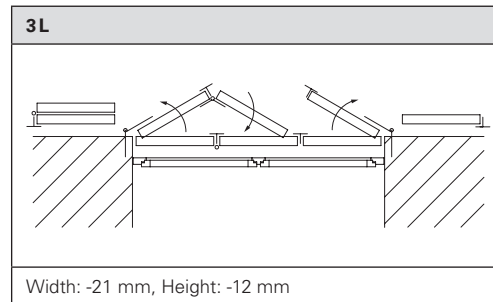
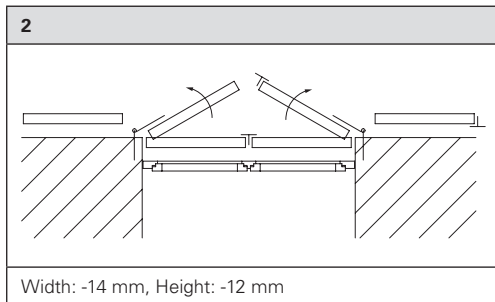
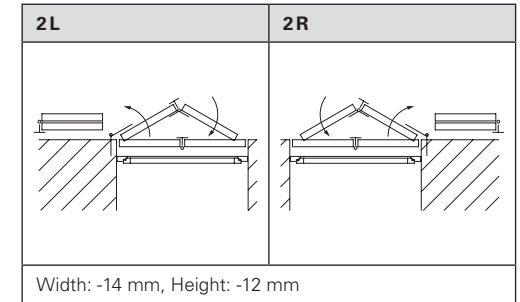
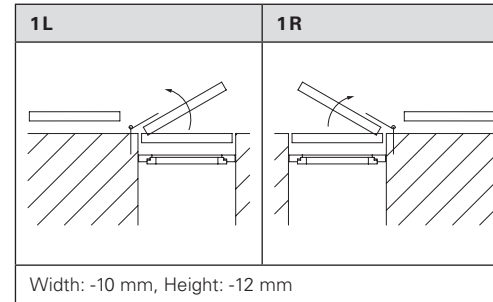


Order form and  
planning tool

# Stop diagrams

Each view is from the inside!

The specified deduction clearances are taken into consideration as standard.



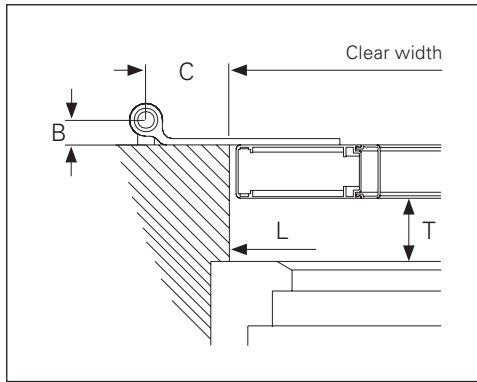
## Application table for motorisation

Diagram	Clear width	Maximum clear opening	Sash width*
1R/1L	419 – 810 mm	1.5 m <sup>2</sup>	409 – 800 mm
2R/2L	424 – 1614 mm	2.4 m <sup>2</sup>	205 – 800 mm
2	694 – 1614 mm	3.0 m <sup>2</sup>	340 – 800 mm
3R/3L	694 – 2421 mm	3.6 m <sup>2</sup>	224 – 800 mm
4	1032 – 2500 mm	4.8 m <sup>2</sup>	250 – 597 mm

\*minimum sash width depending on the model

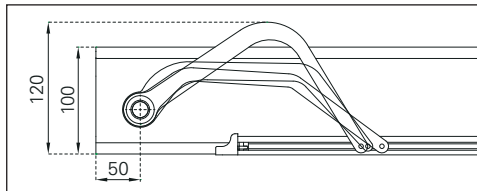
# Measuring instructions

Installation type 1 butt in reveal



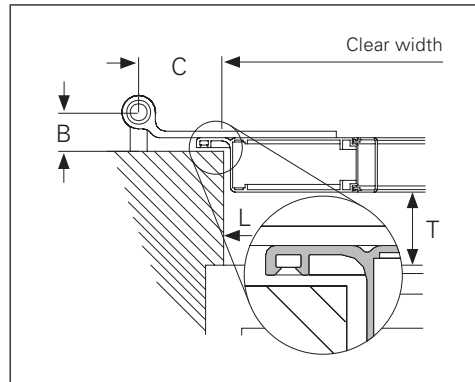
• L = Clear motor

## T dimension



• T = min. 100/120 mm (depending on the sash arm)

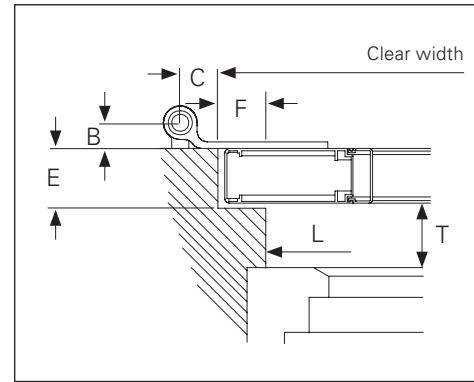
Installation type 2 butt with rabbet bead



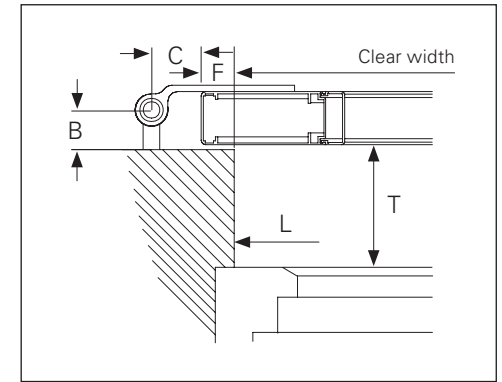
## Rabbet moulding type:

- Type 1: 3-sided (left, right and top)
- Type 2: 4-sided (left, right, top and bottom)
- Type 3: 1-sided (left)
- Type 4: 1-sided (right)
- Type 5: 1-sided (top)
- Type 6: 1-sided (bottom)
- Type 7: 2-sided (left and right)
- Type 8: 2-sided (top and bottom)
- Type 9: 2-sided (left and top)
- Type 10: 2-sided (right and top)

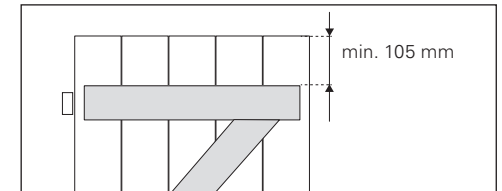
Installation type 3 in rabbet



Installation type 4 superjacent



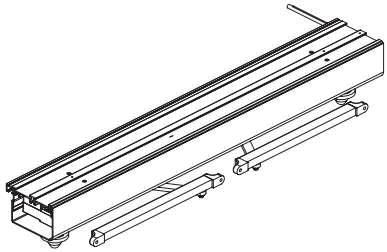
## BEAUNE/ISO (-B, -BB, -Z, -ZZ)



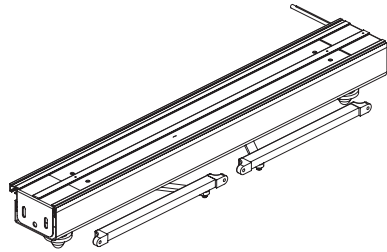
# Installation variants

VOLETRONIC io

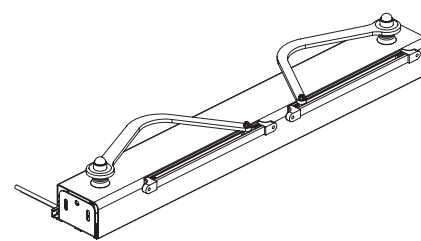
Variant A Header installation



Variant B Reveal installation (on the side)



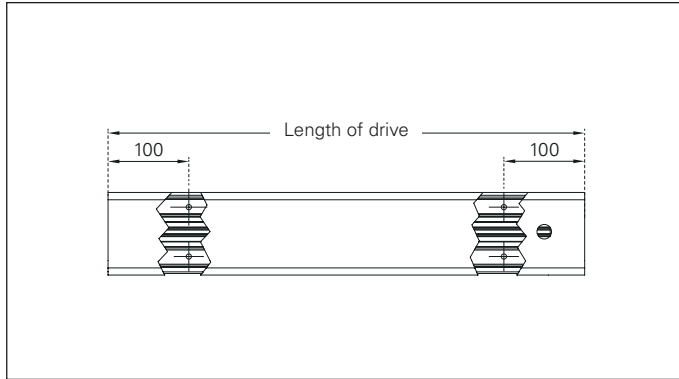
Variant C At the bottom above the window sill



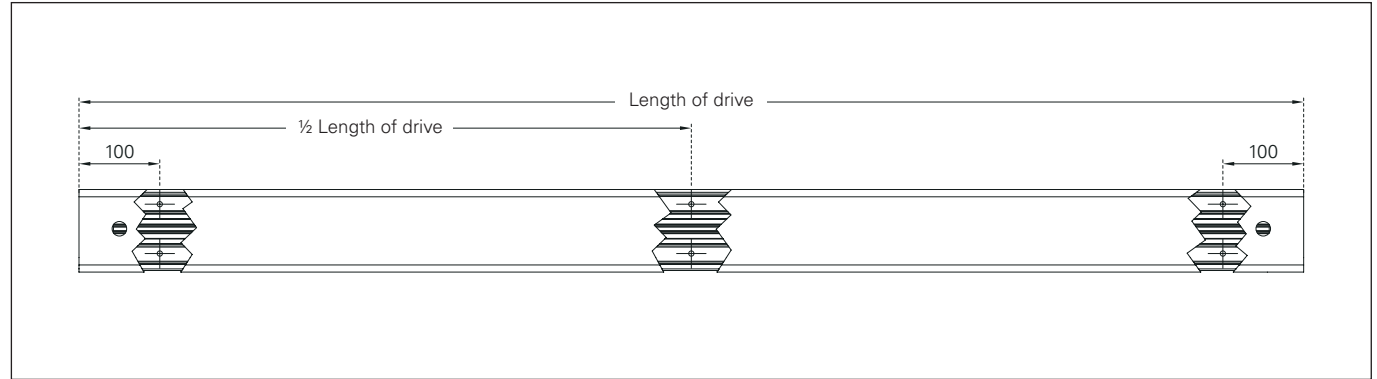
# Fastening for façade inserts and insulation installation

VOLETRONIC io

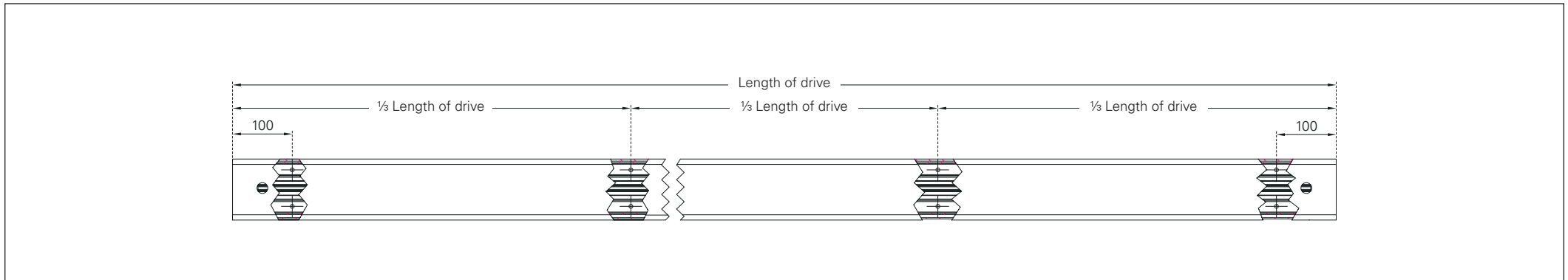
A Length of drive: 590 – 1499 mm



B Length of drive: 1500 – 1999 mm



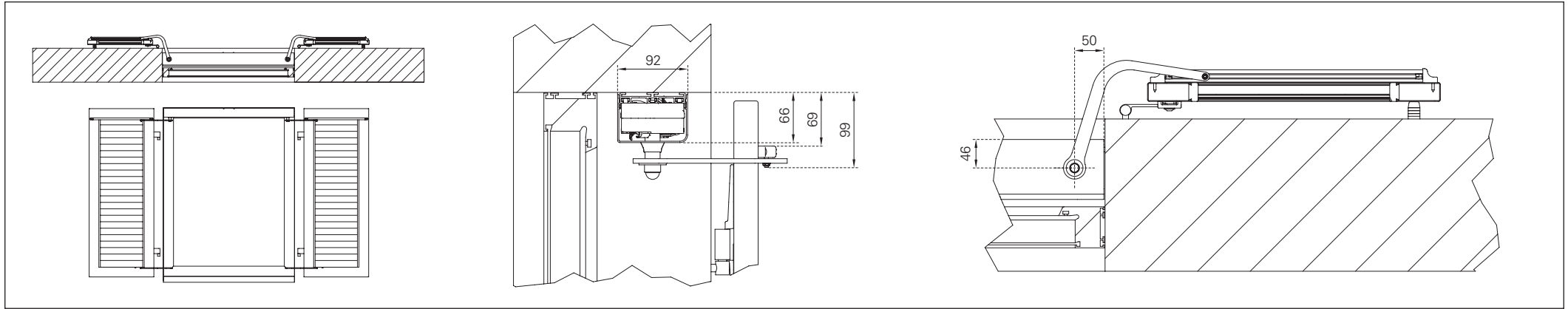
C Length of drive: 2000 – 2500 mm



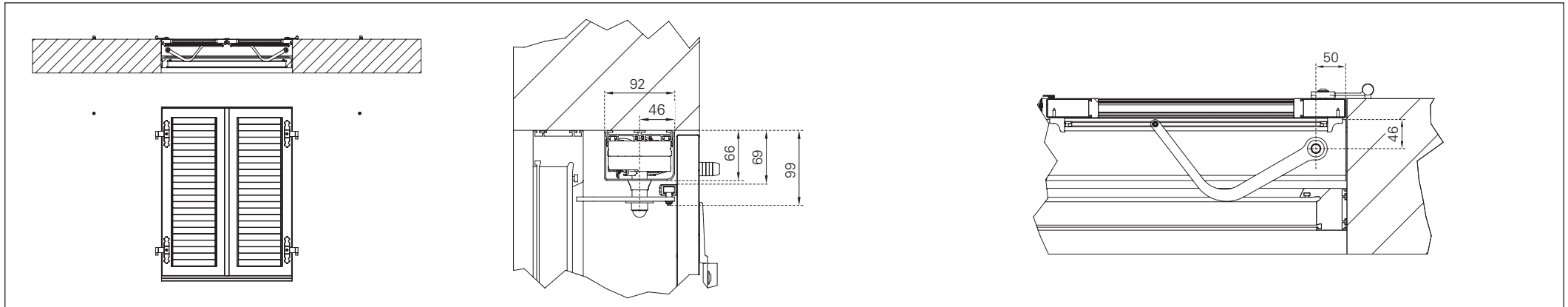
# Measuring instructions | diagram 1L/1R, 2

VOLETRONIC io E (one sash per side)

open



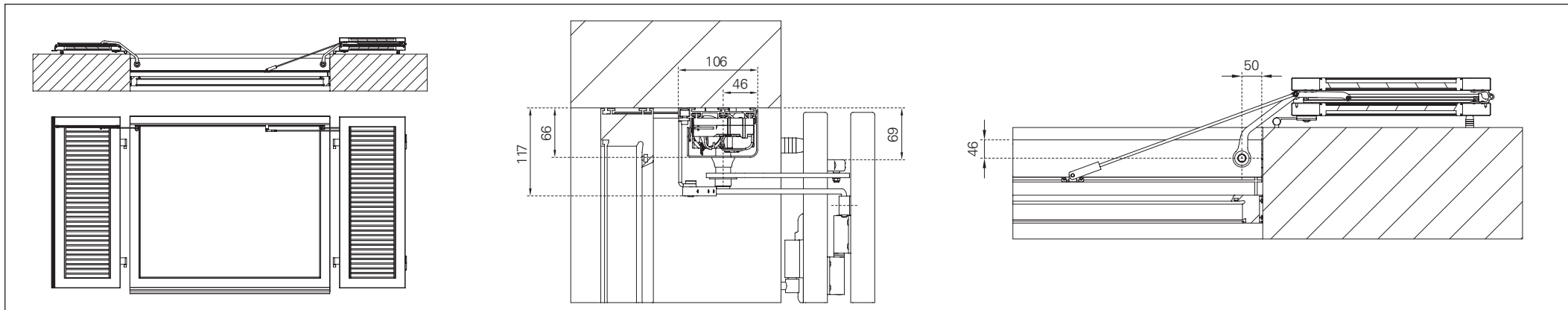
closed



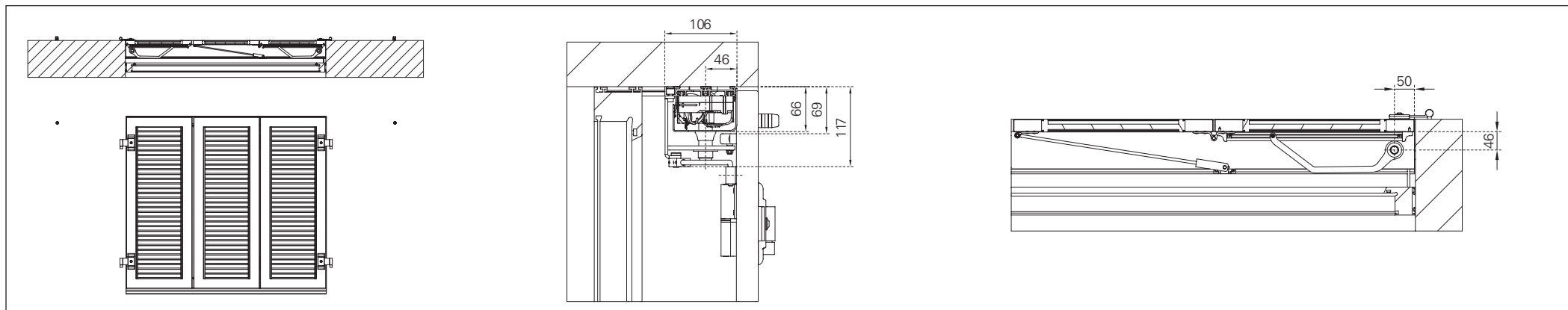
# Measuring instructions | diagram 2L/2R, 3L/3R, 4

VOLETRONIC io D (two sashes per side)

open

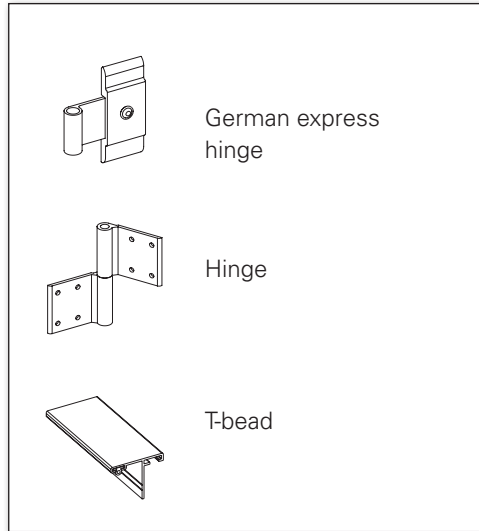


closed

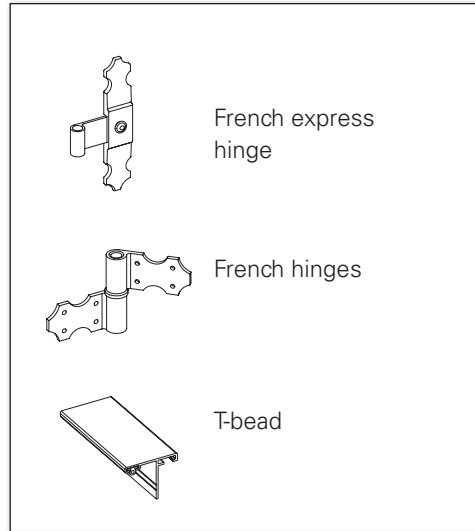


# Pre-installation packages

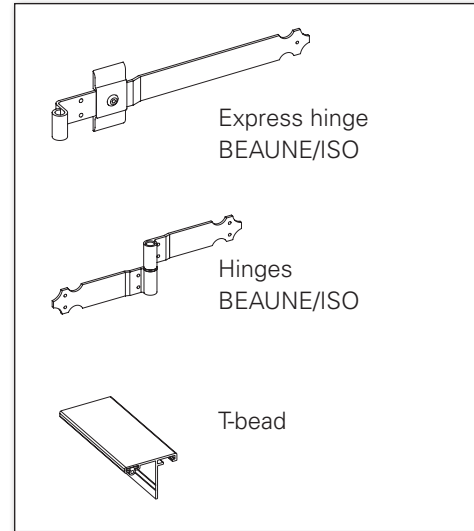
Paket 1 german



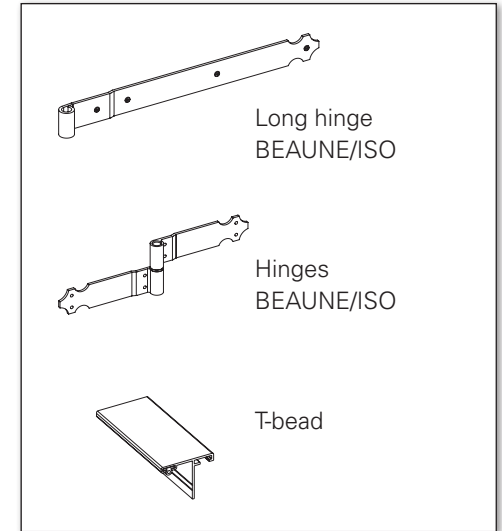
Paket 2 french



Paket 3 BEAUNE/ISO

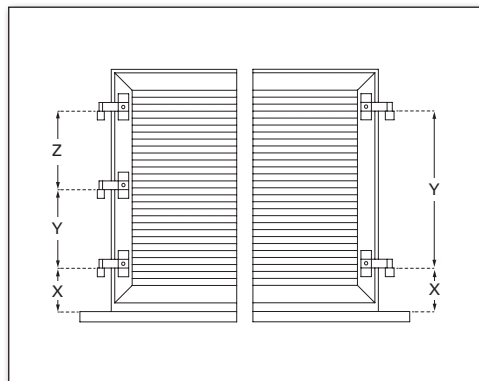


Paket 4 new installation



- only for new installation as per EHRET standard dimensions

## Dimensions X, Y, Z



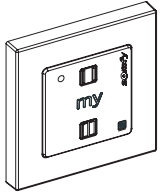
- 2 hinges are always installed in all double sashes.
- The dimensions X, Y, Z relate to the position of the hinges on the bracket.
- X is the measurement from the lower edge clear dimension to the lower edge of the hinge.
- A gap of 6 mm at the bottom is taken into consideration ex-works.



# Options

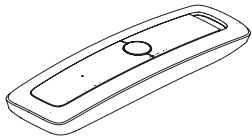
## Operation

not included in the scope of delivery



Wall transmitter Smoove 1 O/C io,  
wireless

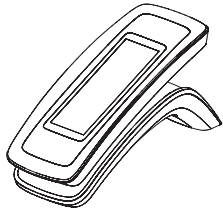
6440



Handheld transmitter Situo io Pure II

1 channel, wireless 6441

5 channel, wireless 6442

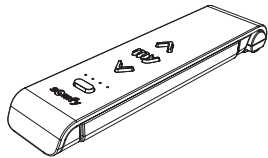


Handheld transmitter Nina io, wireless

bidirectional touch display control 6443

### INFO

- 60 io drives / io receivers
- 30 groups
- 34 scenarios
- 2 sun sensors



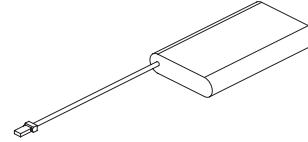
Handheld transmitter Situo 5 Bi-radio io/  
RTS Pure, wireless

6444

### INFO

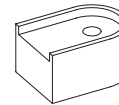
- compatible with io- and RTS radio motors
- no drive settings possible!

## Accessories



Emergency battery (optional),  
9.6 V / 1600 mAh

6406



Support for end piece of window shutter  
drive, pair

P

6220

### INFO

- for use with overlapping slats

# Order form | VOLETRONIC io

Date \_\_\_\_\_ Page \_\_\_\_\_ of \_\_\_\_\_

Your address and signature \_\_\_\_\_

\_\_\_\_\_

Your customer number \_\_\_\_\_

Your processor \_\_\_\_\_

Preferred delivery date \_\_\_\_\_

Consignment \_\_\_\_\_

Window shutter model \_\_\_\_\_

### Pre-installation

<i>complete package</i>	<i>only hinges</i>
<input type="checkbox"/> 1 (german)	<input type="checkbox"/> german
<input type="checkbox"/> 2 (french)	<input type="checkbox"/> french
<input type="checkbox"/> 3 (BEAUNE/ISO)	<input type="checkbox"/> BEAUNE/ISO
<input type="checkbox"/> 4 (new installation)	<input type="checkbox"/> new installation
<input type="checkbox"/> without pre-installation	
<input type="checkbox"/> Ocean Line plus	

	<input type="checkbox"/> OFFER	<input type="checkbox"/> ORDER	
	<i>Surface</i>	<i>Colour system</i>	<i>Colour no.</i>
Housing	<input type="checkbox"/> FSM	<input type="checkbox"/> RAL	
	<input type="checkbox"/> Finish	<input type="checkbox"/> NCS	
	<input type="checkbox"/> Various	<input type="checkbox"/> VSR	
Bars and	<input type="checkbox"/> FSM	<input type="checkbox"/> RAL	
Guide rails	<input type="checkbox"/> Various	<input type="checkbox"/> NCS	
		<input type="checkbox"/> VSR	
<b>Operation</b>			
Hand-held	<input type="checkbox"/> 1-channel	<i>Somfy Situo io Pure II</i>	..... pcs
transmitter	<input type="checkbox"/> 5-channel	<i>Somfy Situo 5 io Pure II</i>	..... pcs
	<input type="checkbox"/> Nina io	<i>bidirectional touch display</i>	..... pcs
	<input type="checkbox"/> Bi-radio	<i>Somfy Situo 5 io/RTS Pure</i>	..... pcs
Wall transmitter	<input type="checkbox"/> Somfy Smoove 1	<i>O/C io</i>	..... pcs



Tel. +49 (0) 78 22/439-0  
 Fax +49 (0) 78 22/439-217  
 www.ehret.com

\_\_\_\_\_

\_\_\_\_\_

\_\_\_\_\_

### Follow-up order

*The original order no. must be specified in the event of follow-up deliveries:*

\_\_\_\_\_

► Order is accepted pending technical inspection!

Item	Quantity Elements	Installation Type (1-4)	Stop diagram	Dim. L			Clear dimensions							Installation variants			Cable exit left*	Cable exit right*	Emergency battery optional	Sash arm No.**	Miscellaneous	
				Clear dimension motor	Width	Height	B	C	E	F	T	X	Y	Z	Variant A Header installation	Variant B overlap installation						Variant C at the bottom above window sill

\*Each view is from the inside! \*\*Field for internal use – Please leave blank.



**EHRET GmbH**

Bahnhofstrasse 14-18

D-77972 Mahlberg

Tel. +49(0) 78 22/439-0

Fax +49(0) 78 22/439-116

[www.ehret.com](http://www.ehret.com)

Made in Germany

© 06.2023 EHRET GmbH | F33.E | Subject to technical modifications