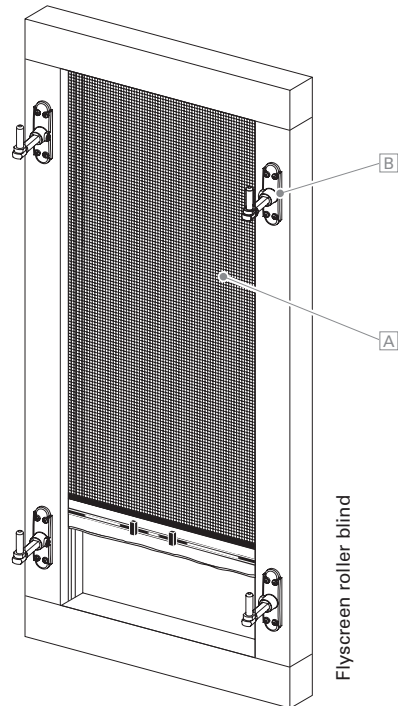


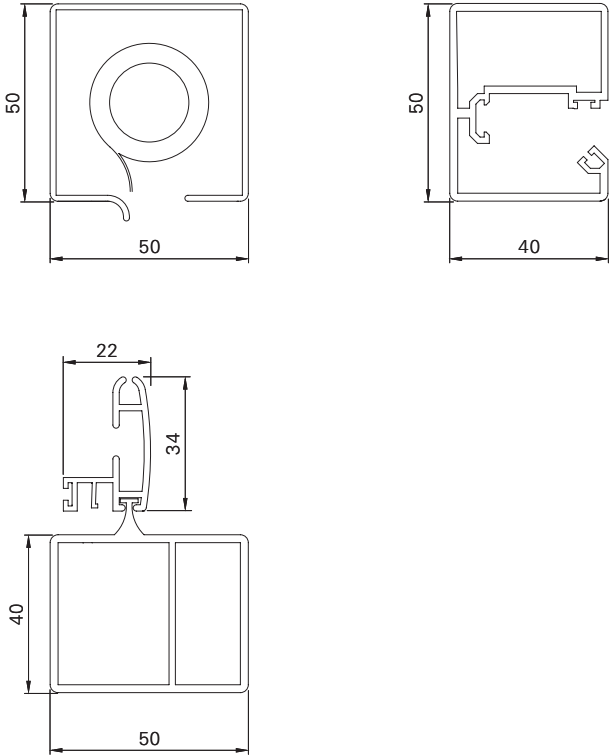
Flyscreen roller blind



Surface	Silk gloss Powder-coated 200 °C as finished element
Colours	Standard: RAL 9016 (Traffic White), RAL 7016 (Anthracite grey), RAL 8001 (Ochre brown), RAL 8014 (Sepia brown), RAL 9006 (White aluminium); Special RAL colours on request
Finishes	not possible
Fittings	Includes ready-mounted MACO brackets and straps, loose shutter catches or mounted detent holders, With hinge mounting outside, EHRET hinges (art. no. 5151) and closure hooks are required. With hinge mounting inside, extra loose closure fittings are supplied against payment. Fittings black, or white.
Notes	Flyscreen roller blind with MACo brackets installed <input type="checkbox"/> , without sash; Flyscreen roller blind can also be ordered without fittings and sash At a height over 2100 mm, 3 brackets are used on each side



Frame profile



Min./max. dimensions	Width: 500 mm to 1600 mm Height: 500 mm to 2000 mm Larger sizes on request
Weight	Approx. 12 kg/m ²
Frame profile	50 × 50 mm extruded aluminium profile 40 × 50 mm extruded aluminium profile 34 × 22 mm extruded aluminium profile 50 × 40 mm extruded aluminium profile
Tissue	Transpatec A , Fiberglass anthracite
Installation types	Bolted on the inside by rabbet, Bolted from the outside (Installation holes at front), Bolted on the side by reveal (Installation holes at side), Bolted on the inside/outside with detent holder
Options	Frame 3-sided Outside operation Pull cord Hook-in loop Hook-in loop with operating rod Additionally adjustable engagement Asymmetric operation Detent holder