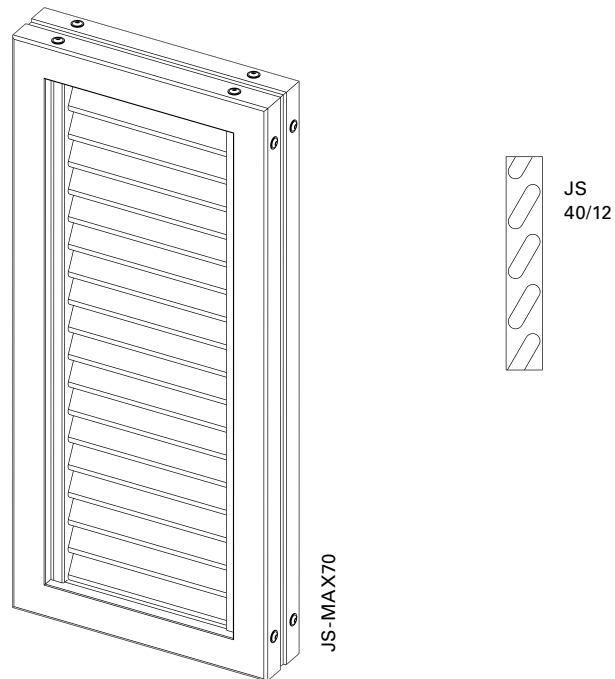
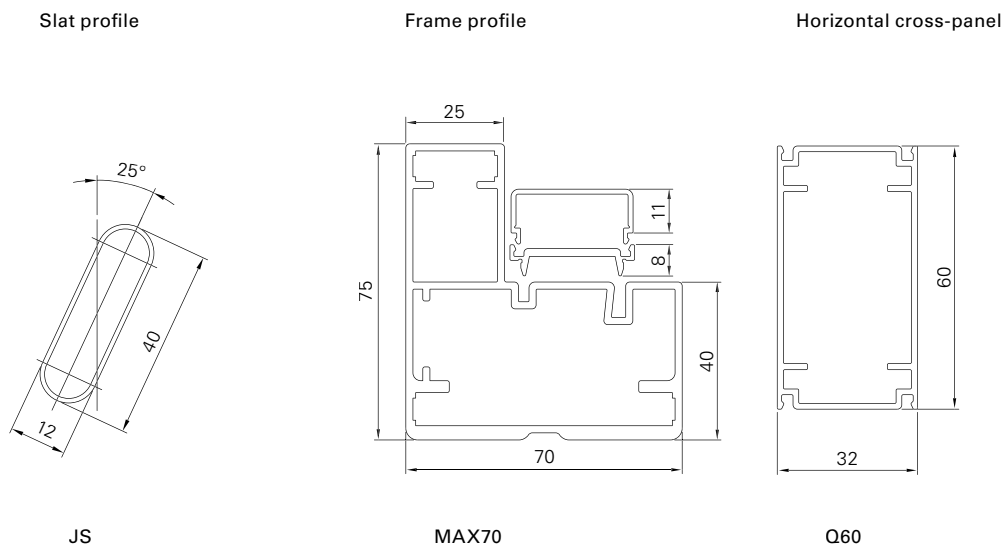


JS-MAX70



Surface	Fine structure matt (standard), silk gloss, matt Powder-coated 200°C before assembly
Colours	RAL Classic, RAL Design, NCS, VSR
Finishes	Wood, stone, rust
Pretreatment	Ocean Line Plus possible
Notes	Drain holes at bottom of frame Slats are exchangeable





Min./Max. dimensions	Width: 550 to 2200 mm Height: 800 to 5500 mm
Min./Max. infeed	33,0–36,7 mm
Inclination angle	25°
Weight	Approx. 16 kg/m ²
Frame profile	75 × 70 mm extruded aluminium hollow chamber profile
Slat profile	40 × 12 mm extruded aluminium hollow chamber profile
Slat carrier profile	32 × 11 mm extruded aluminium profile
Intermediate profile	32 × 8 mm extruded aluminium profile
Horizontal cross-panel profile	60 × 32 mm extruded aluminium hollow chamber profile
Corner connections	Aluminium bracket, glued-in and additionally bolted
Options	Vertical cross-panel Horizontal cross-panel Sliding shutter flush bolt Electric drive