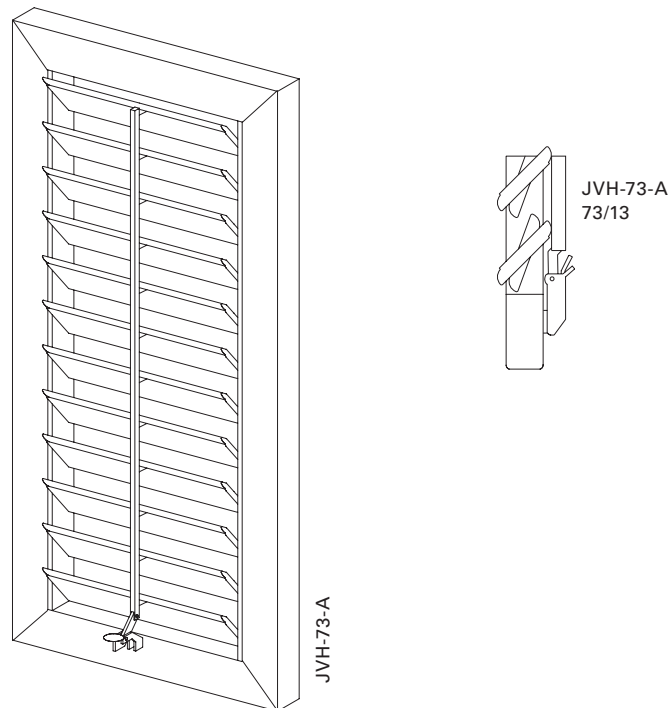
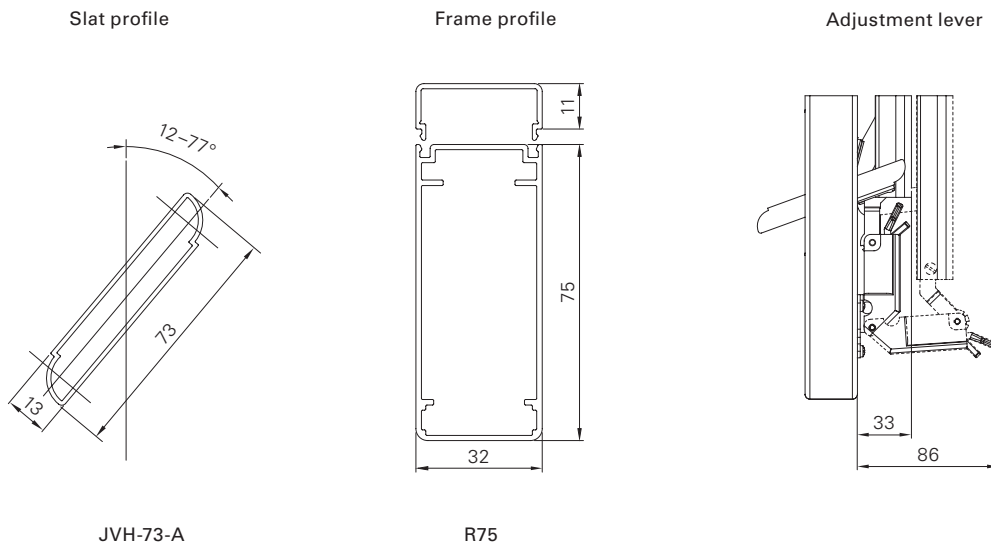


JVH-73-A



Surface	Fine structure matt (standard), silk gloss, matt Powder-coated 200°C before assembly
Colours	RAL Classic, RAL Design, NCS, VSR
Finishes	Wood, stone, rust
Pretreatment	Ocean Line Plus possible
Notes	<p>Slat end caps made of black or white plastic Slat with push rod connected by plastic shaped part</p> <p>In a horizontal cross-panel, push rod runs throughout In the stop diagrams 2L/2R, 3L/3R, 4 the push rod must be adjusted 25 mm from its central position to the left and right respectively (shutter rod not possible in these cases)</p> <p>Structural height when adjustment lever is closed: 30 mm, open: 100 mm Observe where the lock is positioned on doors to ensure more convenient use and possibly even consider other models such as the BERN-73 model, for example. The field of slats should be closed when opening the shutters.</p> <p>Drain holes at bottom of frame</p>





Min./max. dimensions	Width: 280 to 800 mm Height: 800 to 2500 mm
Min./max. infeed	60,0–70,0 mm
Min./max. inclination angle	12–77°
Weight	Approx. 11 kg/m ²
Frame profile	75 × 32 mm extruded aluminium hollow chamber profile
Slat profile	73 × 13 mm extruded aluminium hollow chamber profile
Slat carrier profile	32 × 11 mm extruded aluminium profile
Adjustment	Adjustable slats via central push rod lock with detent positions
Stop bead	Supplied loose, black or white rubber (depending on the sash colour)
Corner connections	Aluminium bracket, glued-in and additionally secured by plastic pins
Options	Notching Add-on lock Electric drive Floor locking Rabbet bead Half-round arch (mounted) Inside opener crank Slat end caps made of plastic in sash colour Vertical cross-panel Horizontal cross-panel Segmental arch, hollow (mounted) Rod lock Segmental arch, solid (mounted) Pre-installation Push rod adjustment Catch Frames Easyflex