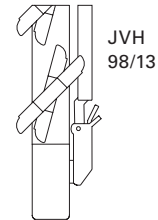
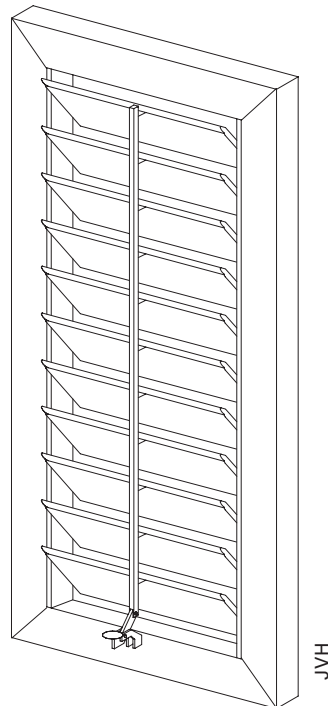
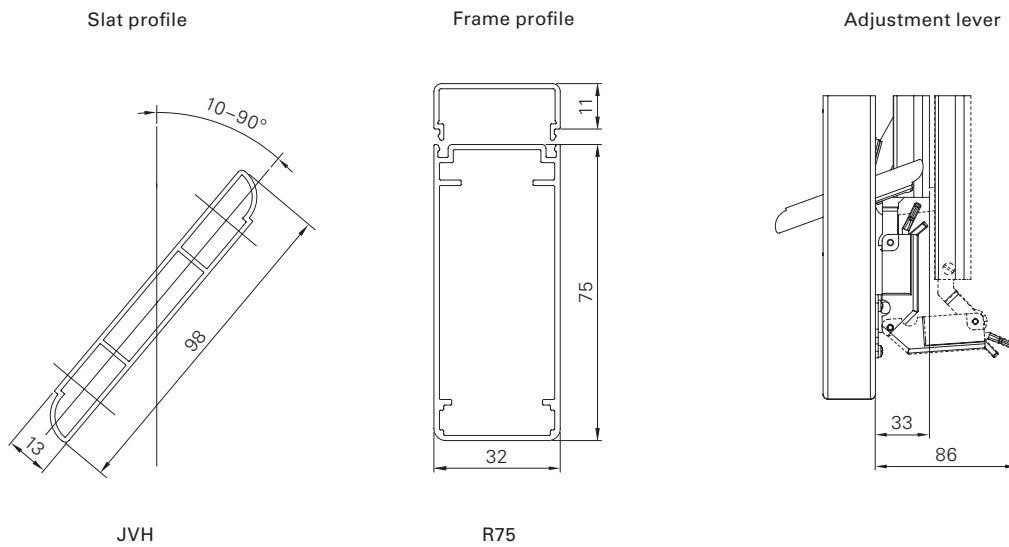


# JVH



<b>Surface</b>	Fine structure matt (standard), silk gloss, matt Powder-coated 200°C before assembly
<b>Colours</b>	RAL Classic, RAL Design, NCS, VSR
<b>Finishes</b>	Wood, stone, rust
<b>Pretreatment</b>	Ocean Line Plus possible
<b>Notes</b>	<p>Slat end caps made of black or white plastic Slat with push rod connected by metal shaped part</p> <p>In a horizontal cross-panel, push rod runs throughout In the stop diagrams 2L/2R, 3L/3R, 4 the push rod must be adjusted 25 mm from its central position to the left and right respectively (shutter rod not possible in these cases)</p> <p>Structural height when adjustment lever is closed: 30 mm, open: 100 mm Observe where the lock is positioned on doors to ensure more convenient use and possibly even consider other models, such as the BERN model, for example. The field of slats should be closed when opening the shutters.</p> <p>Drain holes at bottom of frame French shutter holder only possible to a limited extent</p>





<b>Min./max. dimensions</b>	Width: 280 to 800 mm Height: 800 to 2500 mm
<b>Min./max. infeed</b>	80,0–95,0 mm
<b>Min./max. inclination angle</b>	10–90°
<b>Weight</b>	Approx. 11 kg/m <sup>2</sup>
<b>Frame profile</b>	75 × 32 mm extruded aluminium hollow chamber profile
<b>Slat profile</b>	98 × 13 mm extruded aluminium
<b>Slat carrier profile</b>	32 × 11 mm extruded aluminium profile
<b>Adjustment</b>	Adjustable slats via central push rod lock with detent positions
<b>Stop bead</b>	Supplied loose, black or white rubber (depending on the sash colour)
<b>Corner connections</b>	Aluminium bracket, glued-in and additionally secured by plastic pins
<b>Options</b>	Notching   Add-on lock   Electric drive   Floor locking   Rabbet bead   Half-round arch (mounted)   Inside opener crank   Slat end caps made of metal in sash colour   Vertical cross-panel   Horizontal cross-panel   Segmental arch, hollow (mounted)   Rod lock   Segmental arch, solid (mounted)   Pre-installation   Push rod adjustment   Catch   Frames   Easyflex