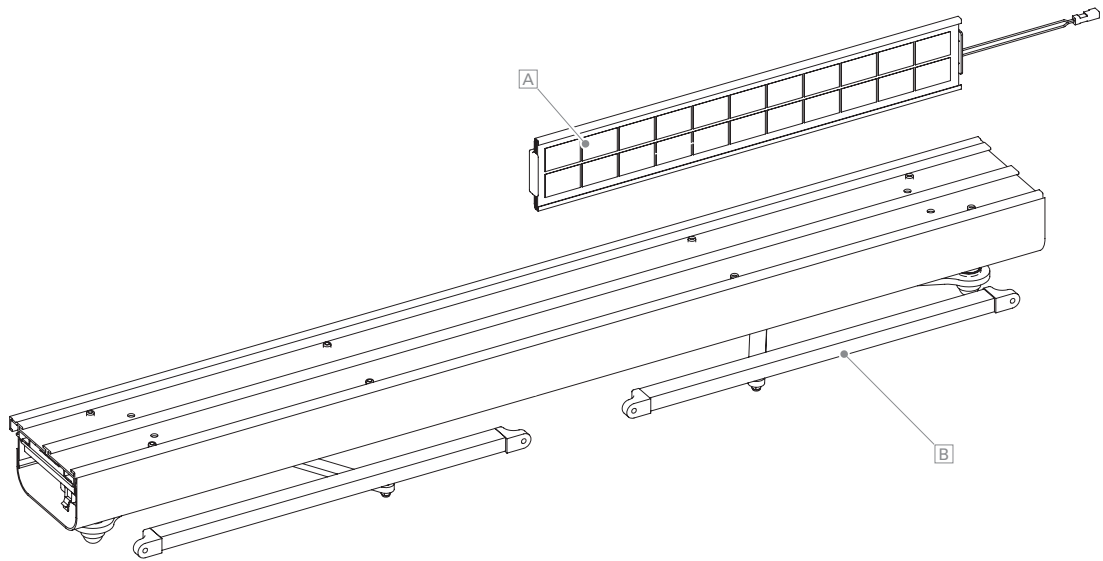


VOLETRONIC Solar

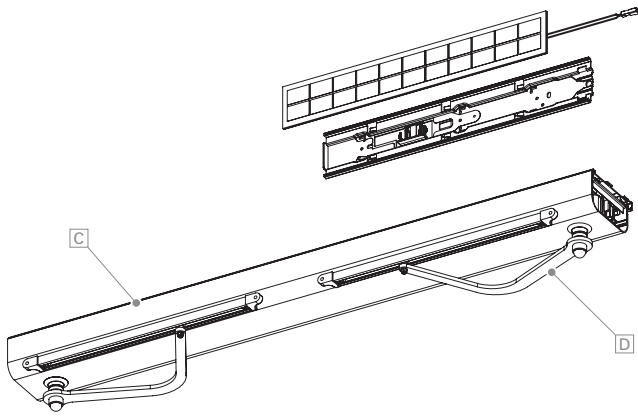


VOLETRONIC Solar

VOLETRONIC Solar	Solar drive system for a max. of 2 sashes per side for the actuation of window shutters, completely pre-assembled in 2-part aluminium housing 121 × 66 mm
Clear width	According to dimensional specifications; With 1 motor (1L/1R, 2L/2R): 340 mm to 1614 mm With 2 motors (2): 575 mm to 1614 mm; (3L/3R): 861 mm to 2421 mm; (4): 1148 mm to 2500 mm
Surface	Fine structure matt (standard) Powder-coated 200 °C before assembly
Colours	RAL Classic, RAL Design, NCS, VSR
Finishes	Wood, stone, rust
Pretreatment	Ocean Line Plus possible
Sash weight	Max. 50 kg per drive side
Operation	Remote control or central control, 1-channel wireless hand-held transmitter
Guarantee	5 years – all drive modules 3 years – battery 2 years – wireless hand-held transmitter
Quantity	1-4 window shutters can be operated by each electric drive

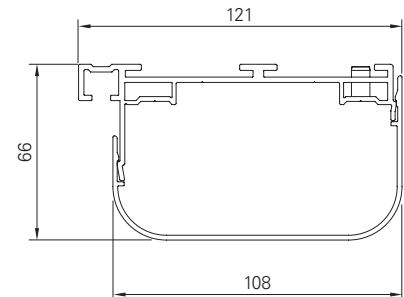


Solar drive for window shutters



VOLETRONIC Solar

Drive housing profile



BUAB + BUMP

System drawing	1R/1L, 2, 2R/2L, 3R/3L, 4 No RA / LA installation possible!
Installation variants	Variant A: Header installation, Variant B: Reveal installation (on the side), Variant C: Installation at the bottom above the window sill
Nom. torque	30 Nm per motor; speed: 2.0 rpm
Power supply	5.6 V (direct current), connection cable 0.6 m (2-wire), optional 3.0 m
Power consumption	3.6 W
Disconnection	Load switch-off
Protection	Protection class III, Degree of protection IP 24
Scope of delivery	Drive housing [C] with mounting holes, drive modules, sash arms [D], guide rails [B], connection cable, solar panel [A], remote control, stop absorbers, installation and operating instructions, coupling set for stop diagrams 2R/2L, 3R/3L, 4, fastening brackets for lateral installation
Options	Wireless timer (4-channel), iDiamant building control system, Extension cable 3m
Notes	Break-in prevention by blocking when closed The drive is pre-programmed to the direction of rotation and the priority of the sashes. The wireless hand-held transmitter is calibrated for the drive and marked with the corresponding drive position number.
Installation instructions	For optimal operation, the solar panel must be able to receive direct lighting. It should neither be fixed inside the house nor covered by objects (glazing, shutters, balconies,...). In locations with heavy snow cover, the solar panel must be positioned vertically on the façade.