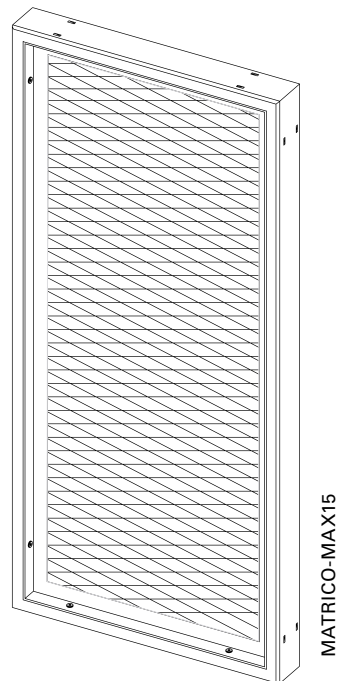


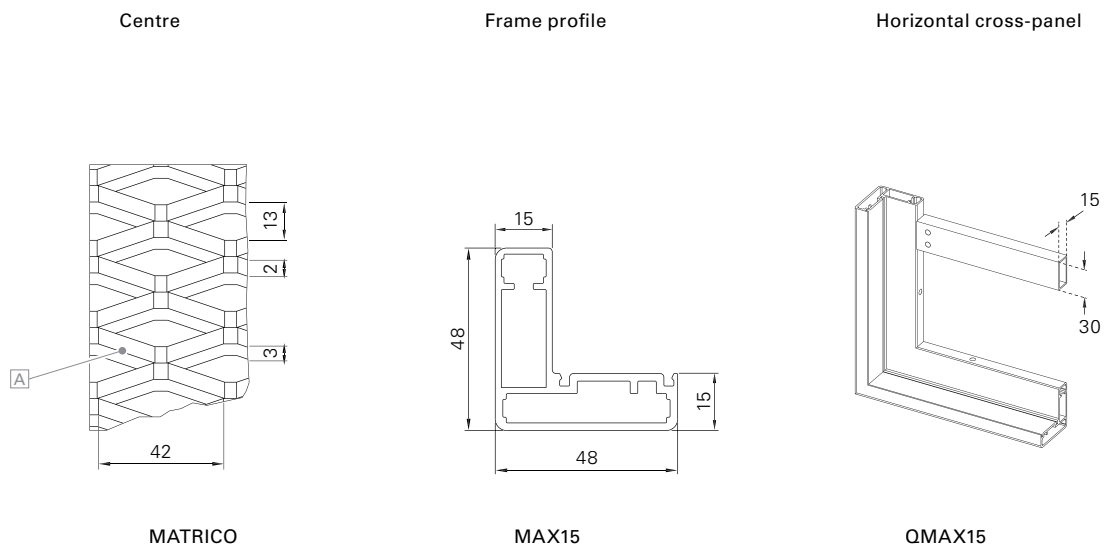
# MATRICO-MAX15



---

<b>Surface</b>	Fine structure matt (standard), silk gloss, matt Powder-coated 200 °C before assembly
<b>Colours</b>	RAL Classic, RAL Design, NCS, VSR
<b>Finishes</b>	Wood, stone, rust
<b>Notes</b>	Notes Model only on request; The method of fastening differs depending on the mesh size of the extending mesh grid, therefore the models can vary visually  Drain holes at bottom of frame





<b>Min./Max. dimensions</b>	Width: 550 to 1500 mm Height: 800 to 3000 mm
<b>Weight Approx.</b>	10 kg/m <sup>2</sup>
<b>Frame profile</b>	48 × 48 mm extruded aluminium hollow chamber profile
<b>Horizontal cross-panel profile</b>	30 × 15 mm extruded aluminium hollow chamber profile
<b>Centre</b>	Extending mesh grid <b>A</b> in accordance with specifications
<b>Corner connections</b>	Glued-in aluminium bracket with visible notch in the outer frame
<b>Options</b>	Electric drive