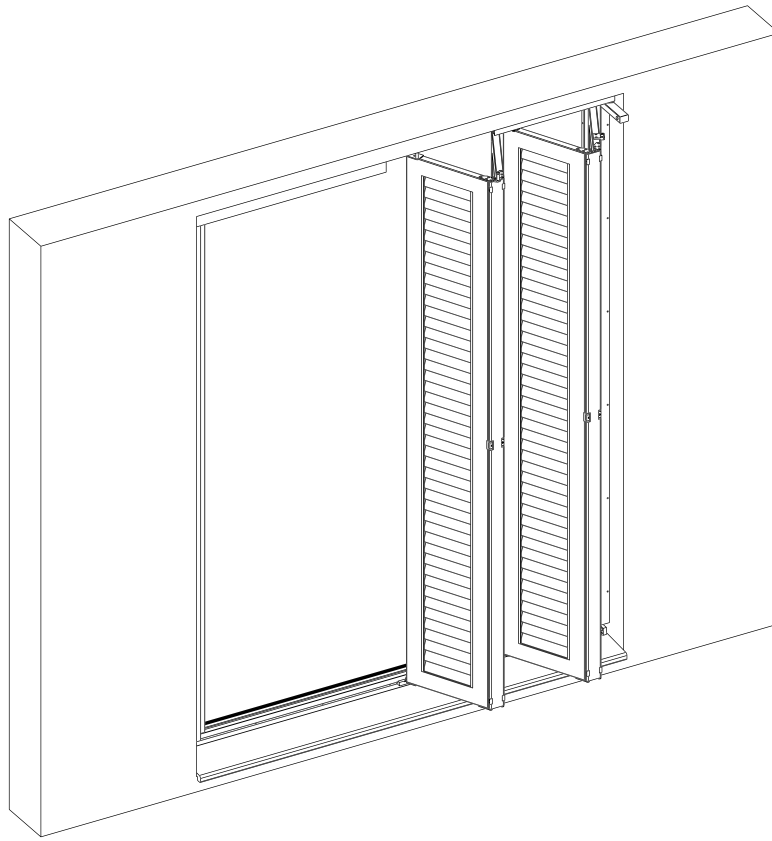
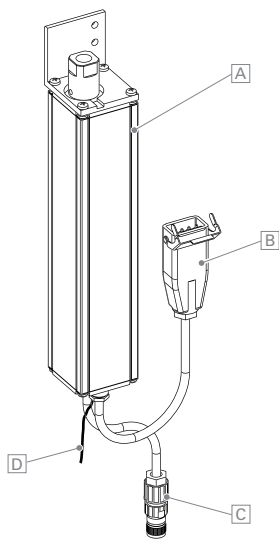


MoveOn

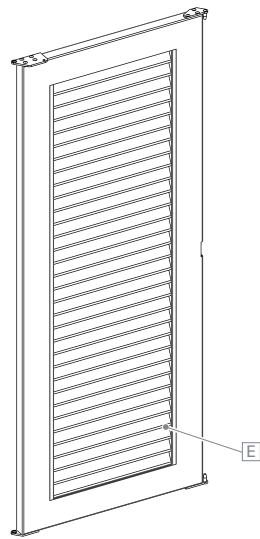


MoveOn	Folding sliding shutter with electric drive and electric folding sliding fittings, complete, without pre-installation, comprising 230 V folding sliding shutter drive, fittings for sashes (per stop diagram 2-, 4- or 6-sash), coupling profiles and frame/sash accessories
Stop diagrams	2L-0R/0L-2R, 2L-2R, 4L-0R/0L-4R, 4L-2R/2L-4R, 4L-4R, 6L-0R/0L-6R, 6L-2R/2L-6R, 6L-4R/4L-6R, 6L-6R; Designs with an even number of sashes only, up to a maximum of 6 per side, are possible.
Colours	RAL Classic, RAL Design, NCS, VSR
Finishes	Wood, stone, rust
Pre-treatment	Ocean Line Plus possible
Drive	Electric drive suitable for 230 V permanent mains operation with B key supply line, C electric lock and D antenna; A housing (approx. 50 × 50 × 230 mm) with motor and integrated control, integrated cut-off relays suitable for long control lines, compatible with bus system, multifunction LED with direction-of-travel indicator as adjustment aid and runtime control.
Operation	Serial push-button operation, optional wireless portable transmitter; All motor functions can be set via the button (e.g. learning run, speed)
Control	Configurable running speed; electronic locking system in end position
Connection	Connection cable (approx. 1 m) with ferrules (included); 5-pin Hirschmann plug: <ul style="list-style-type: none">• Protective earth (green/yellow)• H L phase mains connection (230 V)• I N neutral conductor mains connection (230 V)• J Signal CLOSE button (230 V)• K Signal OPEN button (230 V)

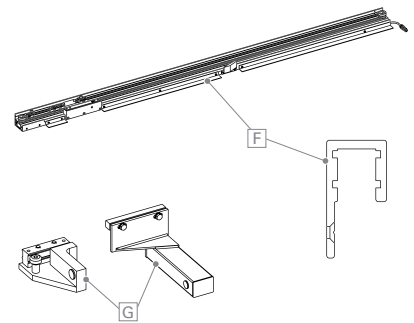
230 V folding sliding shutter drive



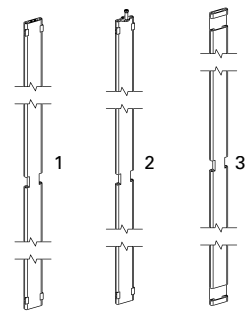
Sash with fittings



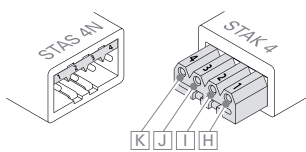
Frame accessories



Coupling profiles



Connection



Operating voltage	230 V; internal approx. 5 V and 12 V / DC
Degree of protection	IP 54
Conformity	CE
Temperature range	-10 °C to +55 °C
Power consumption	Operation: max. 30 W Standby: < 1 W

Min./max. dimensions per sash	Width: 280 to 600 mm; Height: 800 to 2500 mm for R48 frame Height: 800 to 3000 mm for R75, SL12 frame
-------------------------------	---

Model selection E	Frame width: 32 mm; R48: JS, MS, PARIS, SL-R48, SUN-R48; R75: JS, MS, PARIS, SL-R75, SUN-R75; SL12: MATRICO, PLANO-SL12, VARIO, NATURE-SL12
--------------------------	--

Accessories	Frame: F Guide profiles top (fitted)/bottom, G Stop top/bottom, sash wall sheets: loose fittings, coupling profiles
-------------	---