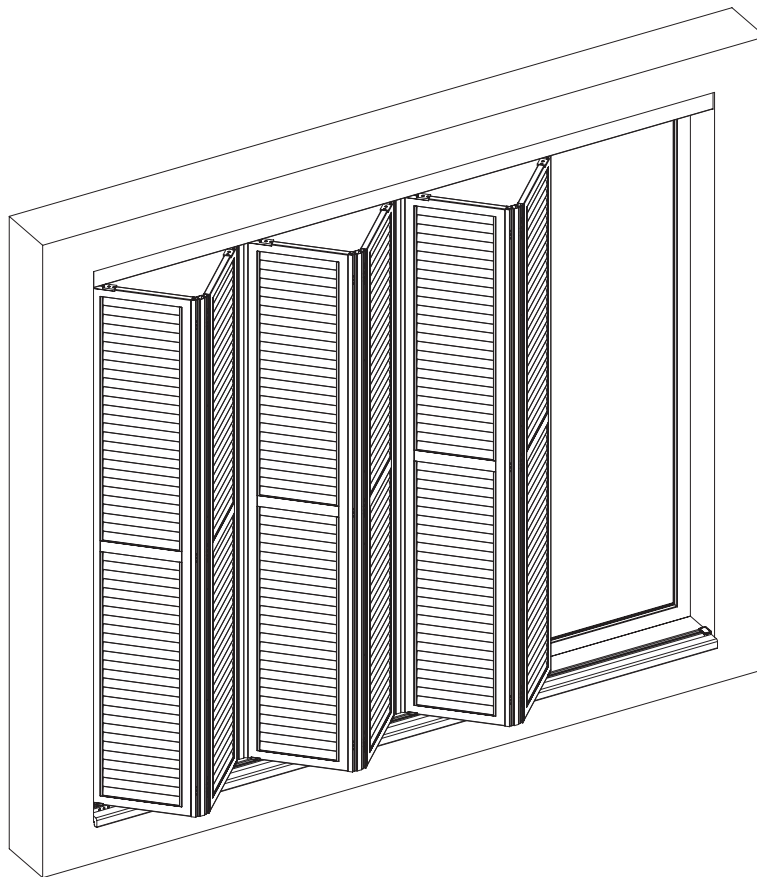


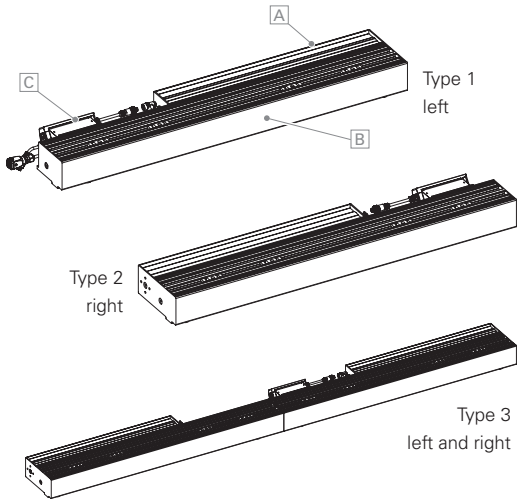
MoveTronic



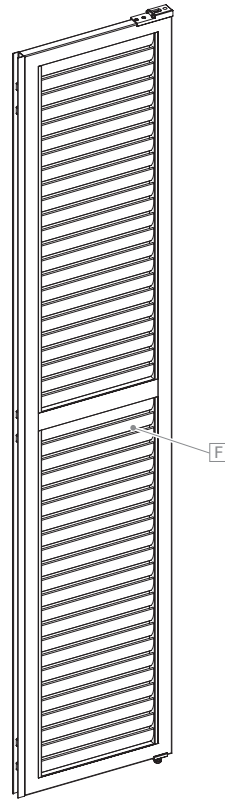
MoveTronic	Electrically driven folding sliding shutter, partly pre-assembled, consisting of folding sliding shutter drive 230 V, Fittings for sashes (2, 3, 4, 5 or 6 sashes depending on the stop diagram), connecting profiles, bottom guide rail
Stop diagrams	Type 1 (left): 2L-0R, 3L-0R, 4L-0R, 5L-0R, 6L-0R Type 2 (right): 0L-2R, 0L-3R, 0L-4R, 0L-5R, 0L-6R Type 3 (left and right): 2L-2R, 2L-3R, 2L-4R, 2L-5R, 2L-6R; 3L-2R, 3L-3R, 3L-4R, 3L-5R, 3L-6R; 4L-2R, 4L-3R, 4L-4R, 4L-5R, 4L-6R; 5L-2R, 5L-3R, 5L-4R, 5L-5R, 5L-6R; 6L-6R
Drive variants	Variant A: Motor on the inside Variant B: Motor on the outside
Drive	<input type="checkbox"/> Electric motor suitable for permanent mains operation 230 V with control cable
Dimensions	Total length: 1150 to 3430 mm (drive + <input type="checkbox"/> rail + control) Total width x height: 227 x 94 mm (drive + rail + control)
Control	<input type="checkbox"/> Control unit NICETT5 Preset driving speed, protection by light barrier and power cut-off
Connection	Connection cable (approx. 0,5 m); <input type="checkbox"/> Power 230 V AC: 3-pin Hirschmann plug STAK 2 <input type="checkbox"/> Light barrier: Circular Connector TTAF M12
Operation	Wireless push-button or remote control, Smarthome



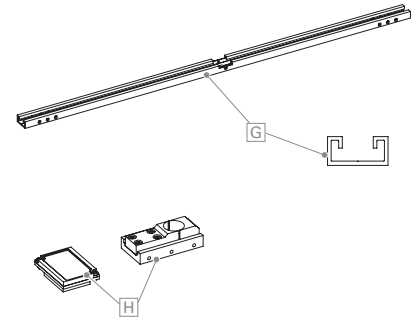
Electric folding sliding shutter



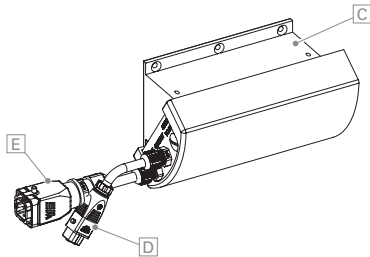
Sash with fittings



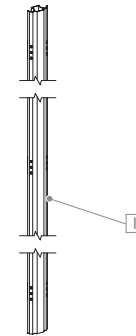
Frame accessories



Control and connection



Coupling profiles



Operating voltage	230 V AC / 50 HC
Degree of protection	IP 44 / IP 55
Conformity	CE
Temperature range	-20 °C bis +55 °C
Power consumption	Operation: max. 2 × 260 W Standby: < 1 W
Total weight	(Sash weight + 7 kg drive weight) × number of sashes
Min./max. dimensions per sash	Width: 300 to 600 mm; Height: 800 to 2500 mm for R48 frame Height: 800 to 3000 mm for R75, SL12, TZR75 frame
Model selection [F]	Frame width 32 mm; R48: JS, MS, PARIS, SL-R48, SUN-R48; R75: JS, MS, PARIS, SL-R75, SUN-R75; SL12: MATRICO, PLANO-SL12, VARIO, NATURE-SL12 TZR75: TIZO, TSW, TZ
Colours	RAL Classic, RAL Design, NCS, VSR
Finishes	Holz, Stein, Rost (for sashes only)
Pre-treatment	Ocean Line Plus possible (for sashes only)
Accessories	Drive, sash package or single sash (depending on weight), equipped at the top/bottom; [G] Bottom guide rail, [I] coupling profiles, [H] accessories