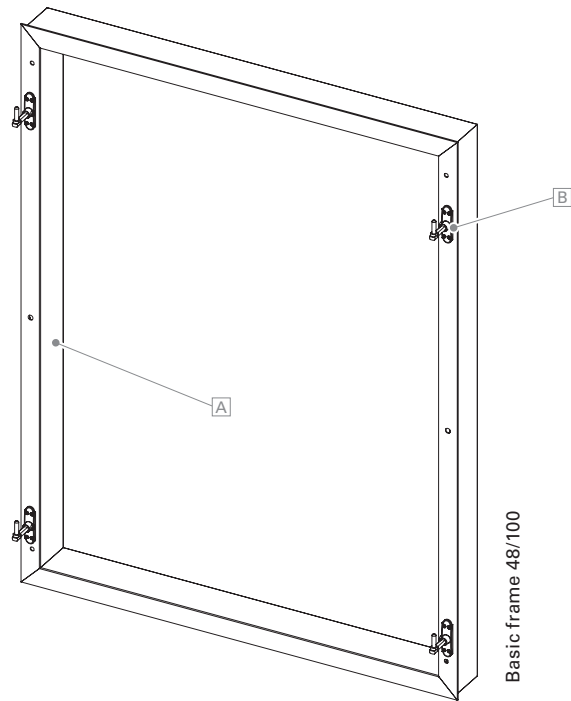


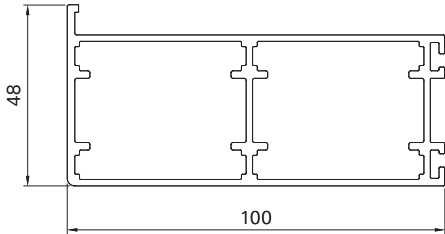
# Basic frame 48/100



<b>Surface</b>	Fine structure matt (standard), silk gloss, matt Powder-coated 200 °C as finished element
<b>Colours</b>	RAL Classic, RAL Design, NCS, VSR
<b>Finishes</b>	Wood, stone, rust
<b>Fittings</b>	Includes ready-mounted MACO bracket and straps, loose shutter catches or mounted detent holders With hinge mounting outside, EHRET hinges (Prod. No. 5151) and closure hooks are used. With hinge mounting inside, extra loose closure hooks are supplied for a charge. Fittings black; white as an option
<b>Notes</b>	Basic frame <b>A</b> with MACO bracket <b>B</b> , without shutters  With hinge mounting outside, sashes are asymmetrical, installation holes on basic frame (9.8 × 5.5 mm) from front in the form of a stepped hole plus cover cap  At a height of over 2100 mm, 3 brackets are used on each side.



Frame profile



R48/100

---

<b>Min./max. dimensions</b>	Width: 500 mm to 2800 mm Height: 800 mm to 2500 mm
<b>Frame profile</b>	48 × 100 mm extruded aluminium profile
<b>Installation types</b>	A: Bolted on the inside by rabbet, B: Bolted from the outside, C: Bolted on the inside
<b>Options</b>	Installation hole on basic frame   Pre-installation of shutters   3-sided installation frame   Detent holders