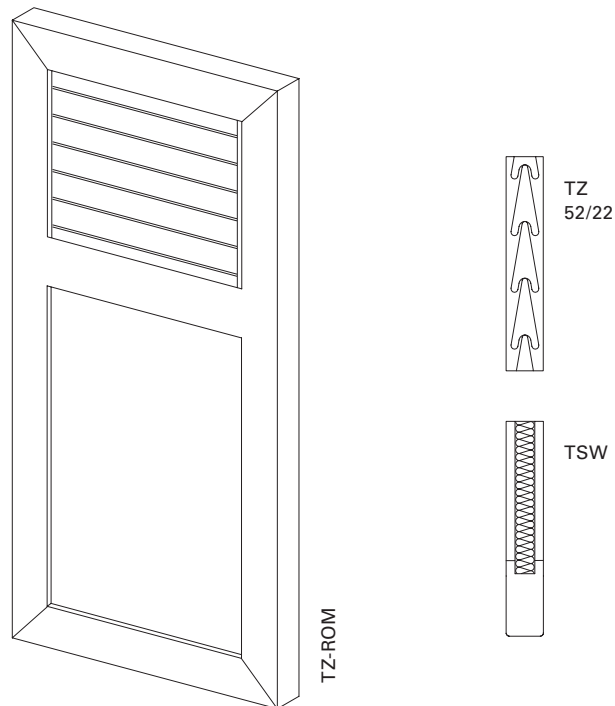


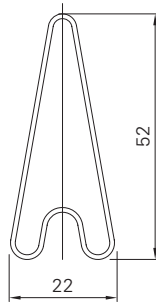
TZ-ROM



Surface	Fine structure matt (standard), silk gloss, matt Powder-coated 200 °C before assembly
Colours	RAL Classic, RAL Design, NCS, VSR
Finishes	Wood, stone, rust
Pretreatment	Ocean Line Plus possible
Notes	Distribution of horizontal cross-panel: 1/3 top, 2/3 bottom Distribution also possible according to dimension specification Drain holes at bottom of frame Electric drive and finish are not possible in combination with special shapes Upper slats cut to size (vary depending on sash height) Rod locks cannot be exchanged

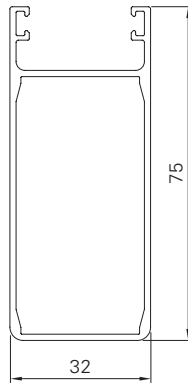


Slat profile



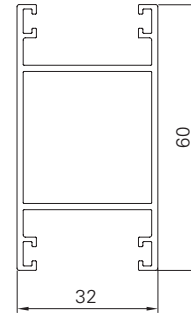
TZ

Frame profile



TZR75

Horizontal cross-panel



TZQ60

Min./Max. dimensions	Width: 280 to 800 mm Height: 800 to 2500 mm
Weight	Approx. 12 kg/m ²
Frame profile	75 × 32 mm extruded aluminium hollow chamber profile
Slat profile	52 × 22 mm extruded Al hollow chamber profile
Horizontal cross-panel	60 × 32 mm extruded aluminium hollow chamber profile
Centre	Polystyrene rigid foam board with double-sided aluminium sheeting
Stop bead	Supplied loose, black or white rubber (depending on sash colour)

Corner connections Glued-in aluminium bracket with visible notch in the outer frame

Options Notching | Add-on lock | Electric drive | Horizontal cross-panel | Rabbet bead |
 Frames | Half-round arch (mounted) | Rod lock | Inside opener crank | Pre-installation |
 Basic frame | Catch | Segmental arch, hollow (mounted) | Segmental arch, solid (mounted) |
 Special shapes (arched frame profile)