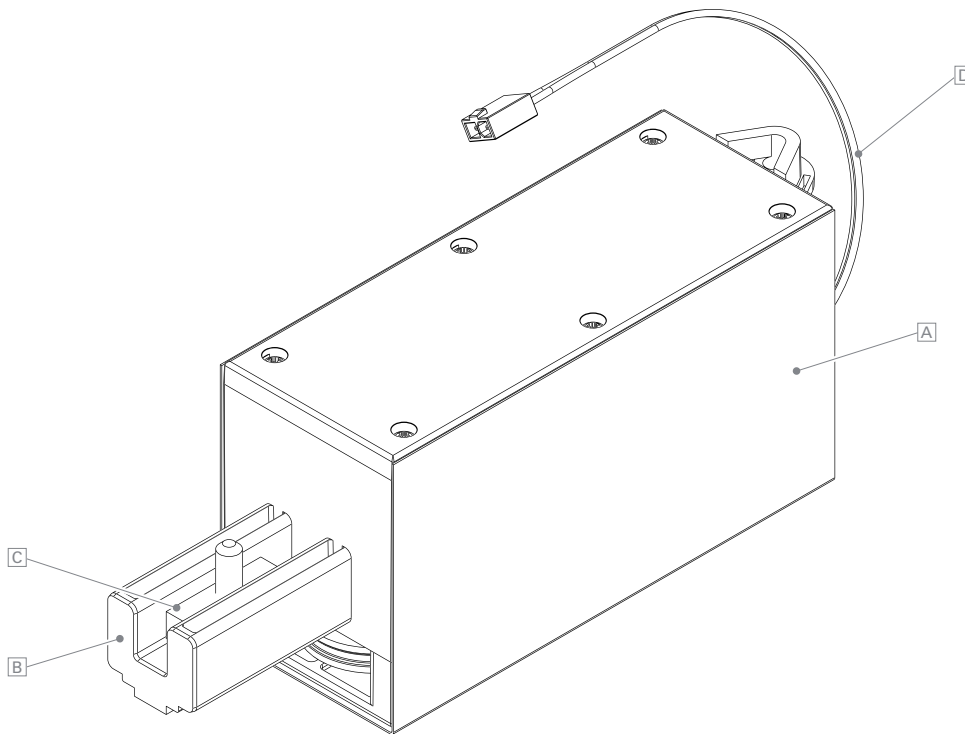


VOLETRONIC Solar (12 V)

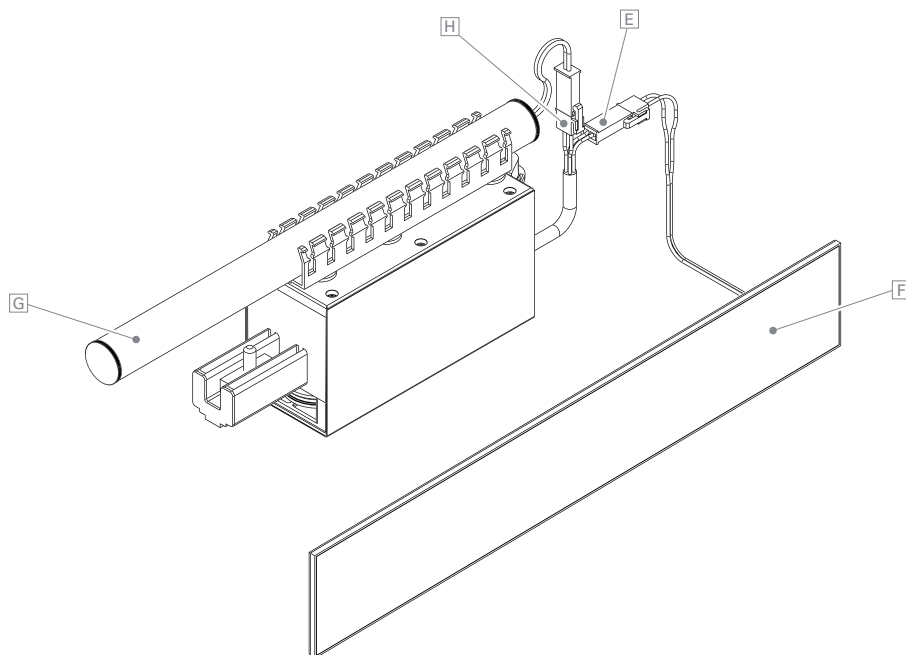


VOLETRONIC Solar (12 V)
Sliding shutter drive

VOLETRONIC Solar (12 V) Drive (192 × 70 × 55 mm) with integrated control to activate the sliding shutters

Operation	Remote control
Control	The control unit enables you to program the carriage position of the double bars and accelerates or decelerates the running speed at the start, at the end and during the driving range. Configurable running speed (four speed levels).
Power transmission	Via stainless steel cable
Driving shaft	Ø6 × 12 mm stainless steel
Force detection	Internal speed measuring system (speedometer)
Connection	The motor has two connection cables D and minifit plugs to connect up with the solar panel and a rechargeable battery (1 × 4 in plexi-tube).
Housing	Motor cover A , powder-coated acc. to RAL fine structure matt
Rail connection B	Rails ECO60N / D33N / D55N Rail clamp C





VOLETRONIC Solar (12 V)
with wireless remote control

Power supply	Solar 12V / DC
Standby	< 0,5 W
Max. motor power	approx. 30 W
Temperature range	-20 °C to + 60 °C
Protection type	IP54
Transmission range approx.	100 m (free field)
Radio frequency	868 MHz – RC-01

Battery G	Ø23 × 300 mm LiFePO4 battery 12.8 V, 1250 mAh
Solar panel F	582 × 60 mm

Motor connection	Motor connection cable with minifit connector (M) E for connection to the solar panel Motor connection cable with minifit connector (F) H for connection to the battery pack,
------------------	------------------------------------------------------------------------------------------------------------------------------------------------------------------------------------------------

Solar panel installation	When installing the solar panel care must be taken to ensure that the panel is exposed to sufficient daylight. Shade should be avoided. By standard the panel should be installed close to the drive and with a clearance of 100 mm to the edge of the cover; however, it can vary from the motor installation point.
--------------------------	-----------------------------------------------------------------------------------------------------------------------------------------------------------------------------------------------------------------------------------------------------------------------------------------------------------------------

Notes	Resistance detection: automatic stop in the event of resistance ≥ 150 N No automatic opening Manual emergency opening in the event of power failure possible Greater physical effort required for manual opening as long as the motor is powered up.
-------	--------------------------------------------------------------------------------------------------------------------------------------------------------------------------------------------------------------------------------------------------------------------