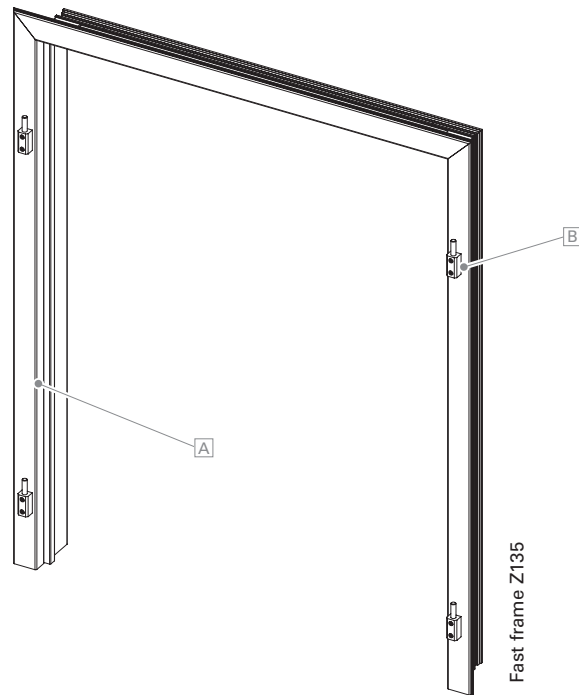


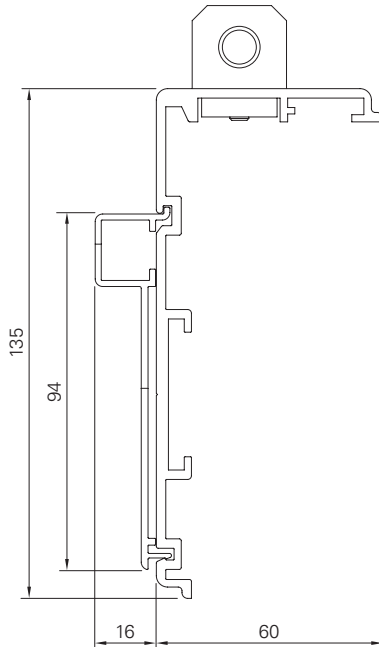
# Fast frame Z135



<b>Surface</b>	Fine structure matt (standard), silk gloss, matt Powder-coated 200 °C before assembly
<b>Colours</b>	RAL Classic, RAL Design, NCS, VSR
<b>Finishes</b>	Wood, stone, rust
<b>Notes</b>	3-sided frame <b>A</b> , loose Bracket installed <b>B</b> , without sash  At a height over 2100 mm, 3 brackets are used on each side Preinstallation required  Fast frame not possible in combination with models BEAUNE (-B, -BB, -Z, -ZZ)

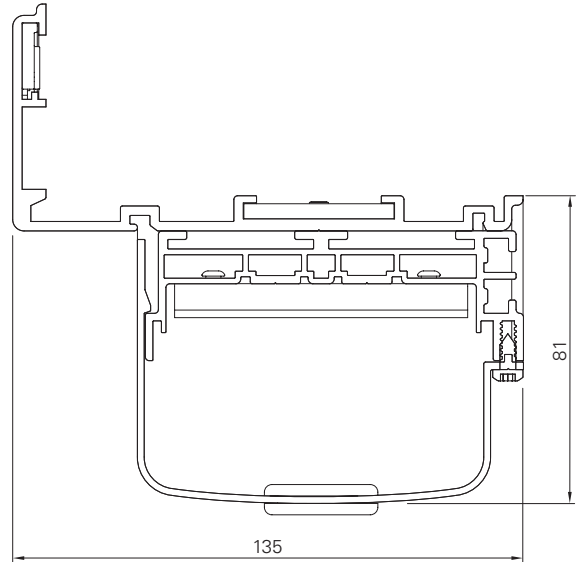


Frame profile with  
Clip profile



Z135

Frame profile with  
Drive housing profile



Z135 + VOLETRONIC

<b>Min./max. dimensions</b> Z135	Width: 500 mm to 2800 mm Height: 800 mm to 2500 mm
<b>Min./max. dimensions</b> Z135 + VOLETRONIC	Width (1L/1R): 613 mm to 829 mm; (2): 903 mm to 1633 mm; (2L/2R): 613 mm to 1633 mm; (3L/3R): 903 mm to 2440 mm; (4): 1167 mm to 2519 mm Height: 800 mm to 2500 mm
<b>Frame profile</b> <b>Clip profile</b>	135 × 60 mm extruded aluminium profile 94 × 16 mm extruded aluminium profile
<b>Corner connections</b>	Bolted aluminium bracket
<b>Options</b>	VOLETRONIC 230 V   Frame extension   Pre-installation add-on lock   Shutter closure   Shutter lock   Rotating rod closure   Blind rod   Hooks   Shutter holder   Sash lock   Catch   Pull catch