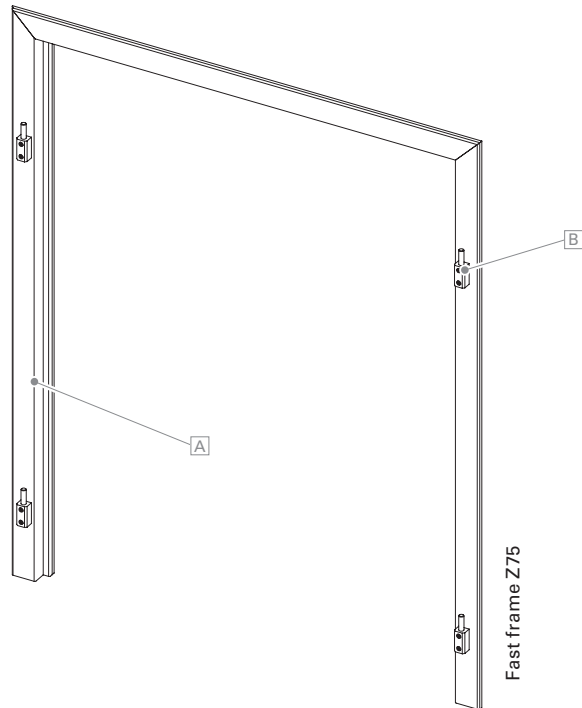


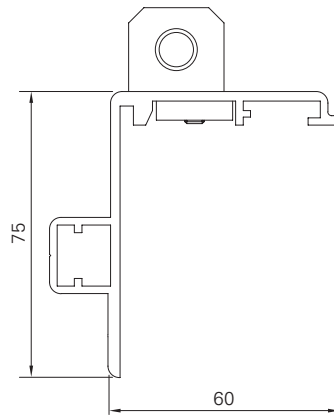
Fast frame Z75



Surface	Fine structure matt (standard), silk gloss, matt Powder-coated 200 °C before assembly
Colours	RAL Classic, RAL Design, NCS, VSR
Finishes	Wood, stone, rust
Notes	3-sided frame A , loose Bracket installed B , without sash At a height over 2100 mm, 3 brackets are used on each side Preinstallation or Easyflex version required Limitations in the ISO-Easyflex version and stop diagrams 1L/1R, 2L/2R Fast frame not possible in combination with models BEAUNE (-B, -BB, -Z, -ZZ)



Frame profile



Z75

Min./max. dimensions	Width: 500 mm to 2800 mm Height: 800 mm to 2500 mm
Frame profile	75 × 60 mm extruded aluminium hollow chamber profile
Corner connections	Bolted aluminium bracket
Options	Frame, 4-sided Window sill Frame extension Pre-installation add-on lock Shutter closure Shutter lock Rotating rod closure Blind rod Hooks Shutter holder Sash lock Catch Pull catch