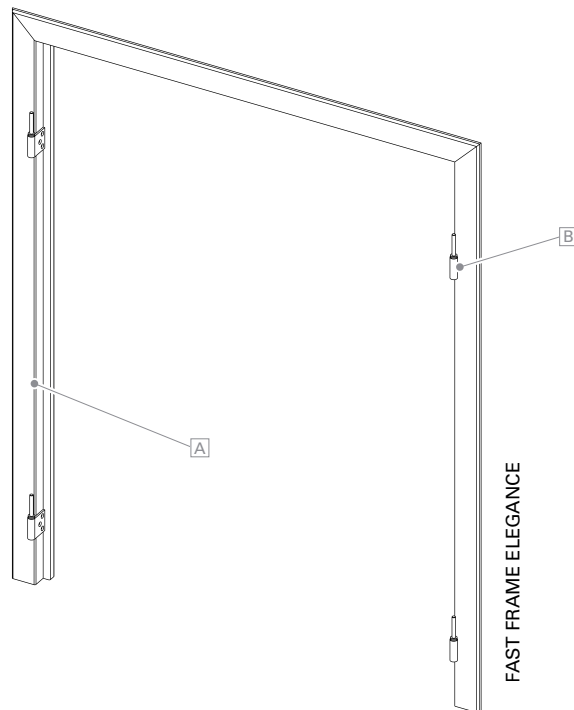


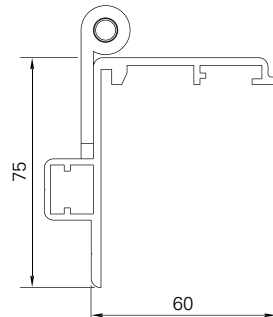
# Fast frame Elegance



<b>Surface</b>	Fine structure matt (standard), silk gloss, matt Powder-coated 200 °C before assembly
<b>Colours</b>	RAL Classic, RAL Design, NCS, VSR
<b>Finishes</b>	Wood, stone, rust
<b>Stop diagrams</b>	1L/1R, 2L/2R, 2, 3L/3R, 4
<b>Notes</b>	3-sided frame <b>A</b> , loose Hinge leaves as brackets, installed <b>B</b> , without sash  At a height over 2100 mm, 3 hinge leaves as brackets are used on each side



## Frame profile



Z75

---

<b>Min./max. dimensions</b>	Width: 500 mm to 2800 mm Height: 800 mm to 2500 mm
<b>Frame profile</b>	75 × 60 mm extruded aluminium hollow chamber profile
<b>Corner connections</b>	Bolted aluminium bracket
<b>Model selection</b>	Models with Frame R75; Cannot be combined with moving or overlapping slats Cannot be combined with overlapping clamping profile (SRKÜ) Cannot be combined with model series DIJON and ISO
<b>Options</b>	Frame, 4-sided   Frame extension   Shutter closure   Shutter lock   Italian locking bar   Shutter holder   Sash lock