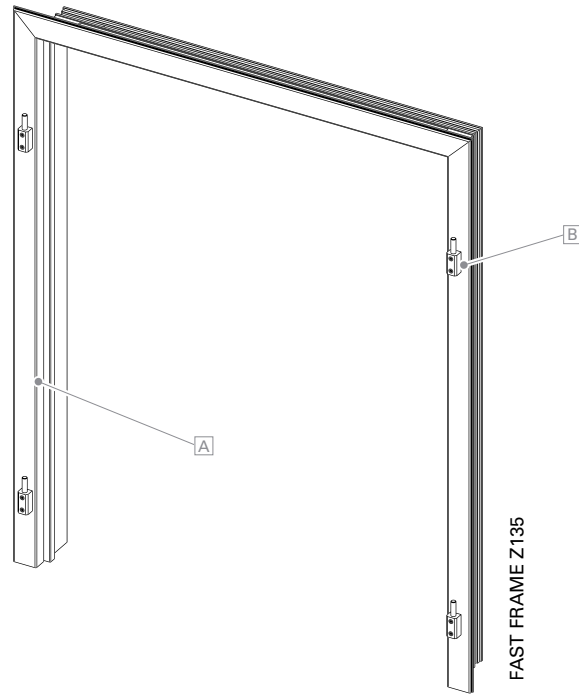


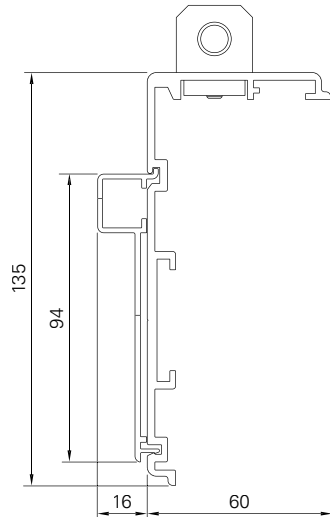
Fast frame Z135



Surface	Fine structure matt (standard), silk gloss, matt Powder-coated 200 °C before assembly
Colours	RAL Classic, RAL Design, NCS, VSR
Finishes	Wood, stone, rust
Notes	3-sided frame A , loose Bracket installed B , without sash At a height over 2100 mm, 3 brackets are used on each side Preinstallation required Fast frame not possible in combination with models DIJON (-B, -BB, -Z, -ZZ)

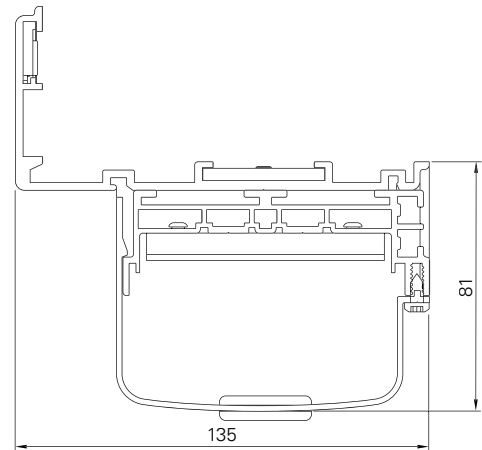


Frame profile with
Clip profile



Z135

Frame profile with
Drive housing profile



Z135 + VOLETRONIC

Min./max. dimensions	Width: 500 mm to 2800 mm Height: 800 mm to 2500 mm
Frame profile	135 × 60 mm extruded aluminium profile
Clip profile	94 × 16 mm extruded aluminium profile
Corner connections	Bolted aluminium bracket
Options	VOLETRONIC 230 V Frame extension Shutter closure Shutter lock Rotating rod closure Blind rod Hooks Shutter holder Sash lock Catch Pull catch