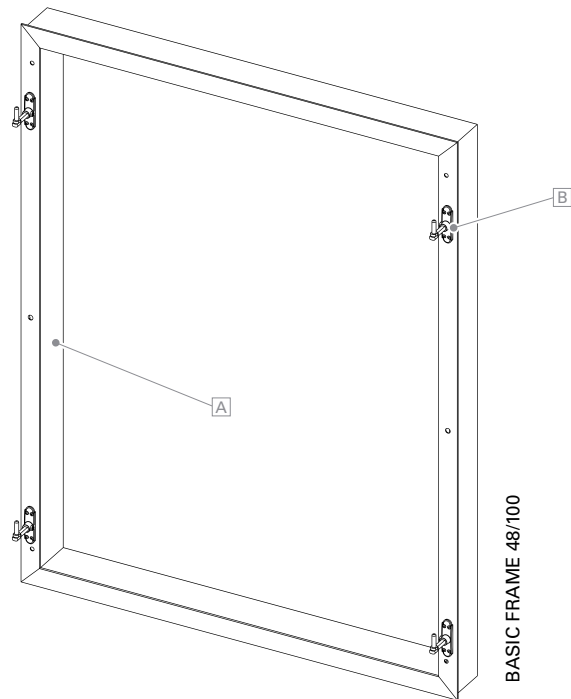


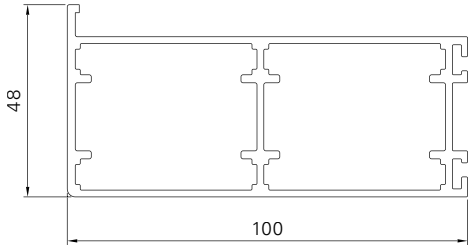
Basic frame 48/100



Surface	Fine structure matt (standard), silk gloss, matt Powder-coated 200 °C as finished element
Colours	RAL Classic, RAL Design, NCS, VSR
Finishes	Wood, stone, rust
Fittings	Includes ready-mounted MACO bracket and straps, loose shutter catches or mounted detent holders With hinge mounting outside, EHRET hinges (Prod. No. 5151) and closure hooks are used. With hinge mounting inside, extra loose closure hooks are supplied for a charge. Fittings black; white as an option
Notes	Basic frame A with MACO bracket B , without shutters With hinge mounting outside, sashes are asymmetrical, installation holes on basic frame (9.8 × 5.5 mm) from front in the form of a stepped hole plus cover cap At a height of over 2100 mm, 3 brackets are used on each side.



Frame profile



R48/100

Min./max. dimensions	Width: 500 mm to 2800 mm Height: 800 mm to 2500 mm
Frame profile	48 x 100 mm extruded aluminium profile
Installation types	A: Bolted on the inside by rabbet, B: Bolted from the outside, C: Bolted on the inside
Options	Installation hole on basic frame Pre-installation of shutters 3-sided installation frame Detent holders