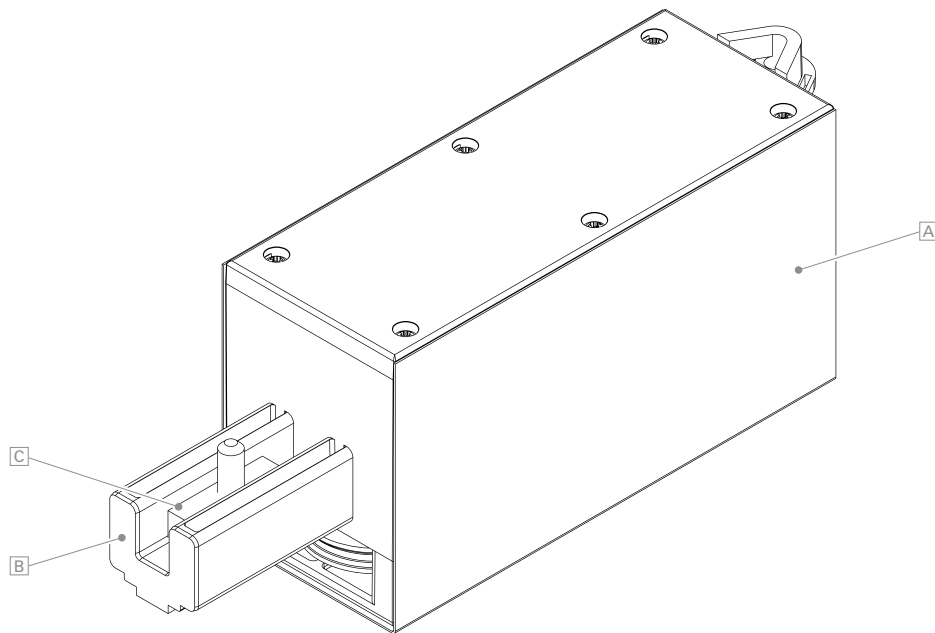


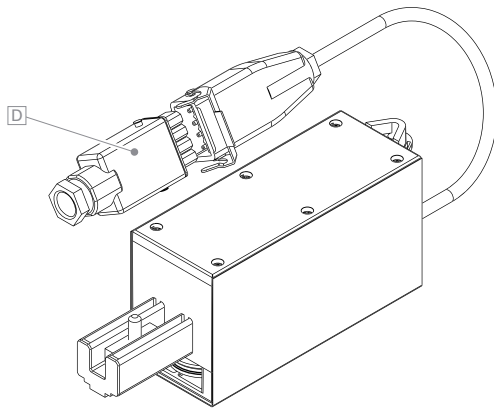
VOLETRONIC (230 V)



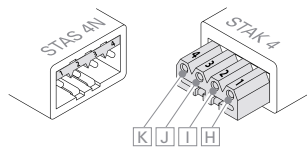
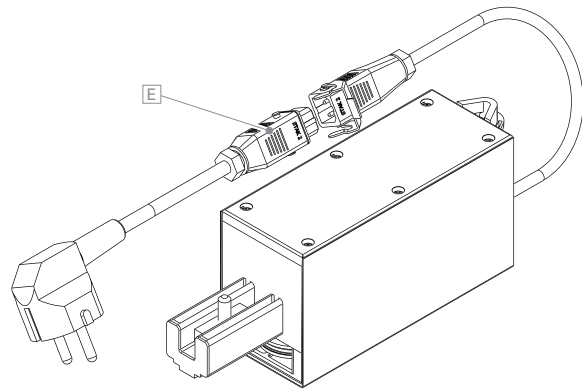
VOLETRONIC (230 V)
Sliding shutter drive

VOLETRONIC (230 V)	Drive with integrated control to activate the sliding shutters
Operation / Configuration	Series pushbutton / remote control Adjustment cable art. no. 881057
Control unit	The control unit enables you to program the carriage position of the double bars and accelerates or decelerates the running speed at the start, at the end and during the driving range. Configurable running speed; electronic locking in the end position
Power transmission	Via stainless steel cable
Connection	Connection cable with plug: 5-pin Hirschmann plug D for series pushbutton operation, 3-pin Hirschmann plug E for remote control
Housing	Motor cover A , powder-coated acc. to RAL fine structure matt
Rail connection B	Rails ECO 60 / ECO 100 / D33 / D55; Rail clamp C

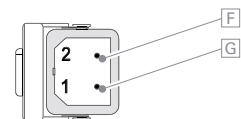
VOLETRONIC (230 V)
with serial push-button operation



VOLETRONIC (230 V)
with wireless remote control



Connection cable
with 5-pin Hirschmann plug



Connection cable
with 3-pin Hirschmann plug

Power supply	85 VAC-265 VAC, 50/60 Hz, 30 W
Standby	< 1 W
Protection type	1
Temperature range operation	-20 °C to + 60 °C
Protection class	IP43
Max. speed	120 mm/s
Max. drive force	150 N
Power consumption on/off inputs	< 5 mA (1 W)
Series pushbutton connection	Mains connection, L-Phase (230 V) H Mains connection N-neutral conductor (230 V) I OFF-button signal (230 V) J ON-button signal (230 V) K
Remote connection	Mains connection, L-Phase (230 V) G Mains connection N-neutral conductor (230 V) F