

# Sliding shutters for pergolas



Fixed slats



Adjustable slats



Closed or special models

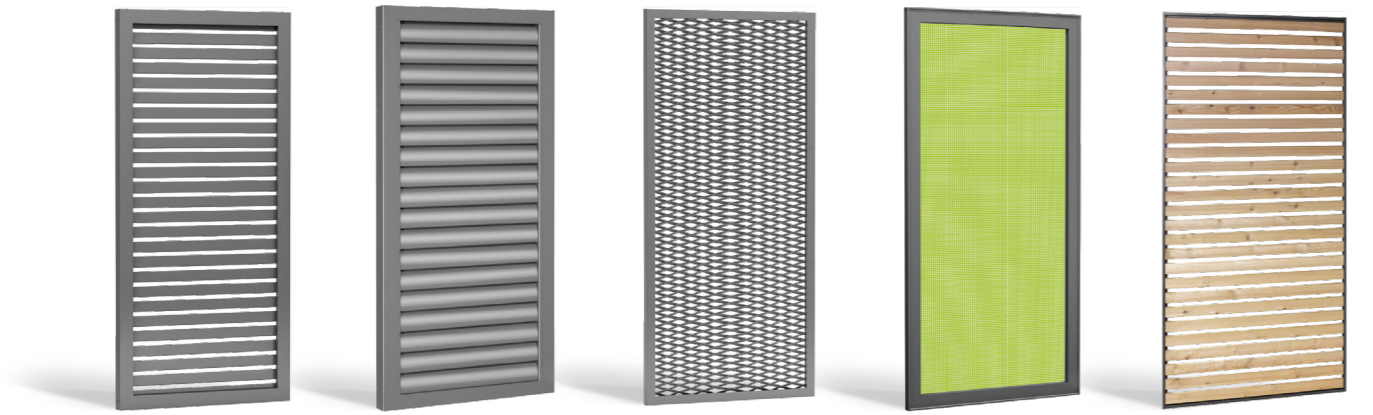


Infill: aluminium, wood, fabric, expanded metal



4,000 colours available

# Infill types



**Fixed slats:**  
the eco solution  
Construction depth:  
32 mm

**Adjustable slats:**  
the light  
management  
solution Construction  
depth: 48 mm

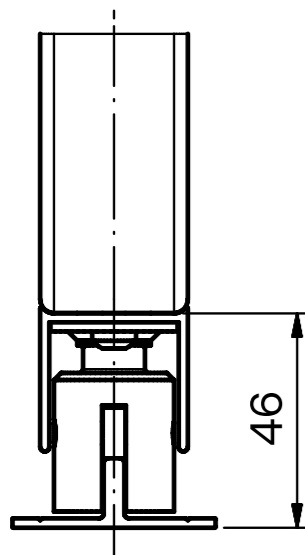
**Expanded metal:**  
the design solution  
Construction depth:  
48 mm

**Fabric:**  
the accessibility  
solution Construction  
depth: 48 mm

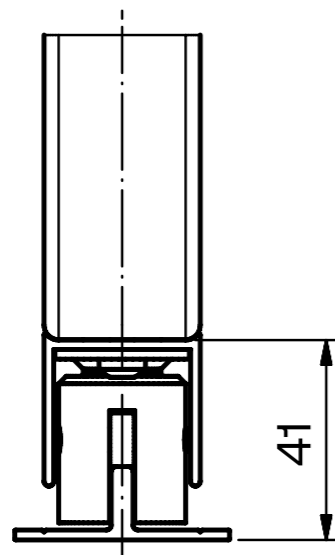
**Wooden slats:**  
the on-trend solution  
Construction depth:  
32 mm

# Variable guide strip

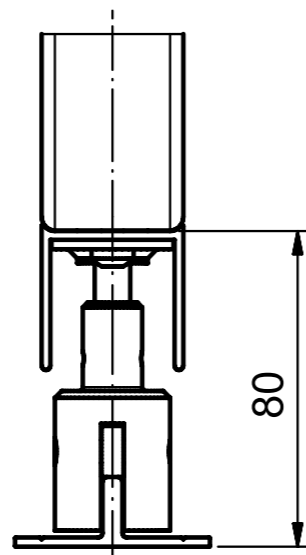
For maximum stability: Levelling of uneven ground or gradients up to 34 mm – with certified Wind Class 5 at a position of 46 mm.



Installation height parking position  
for Wind Class 5



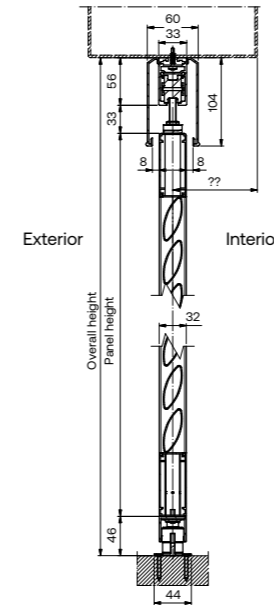
Guide strip  
fully retracted



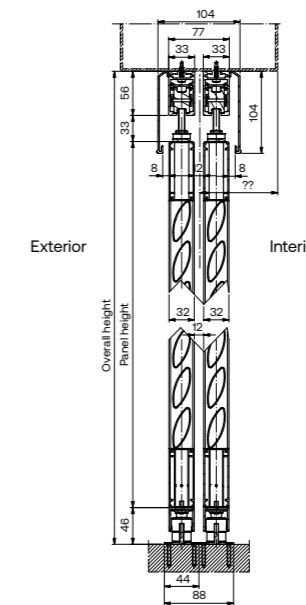
Maximum usable  
height with low Wind Class

# Technical drawings

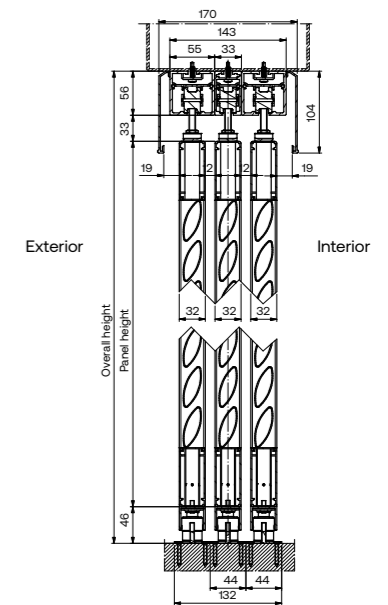
For a permanently secure and functionally correct installation, the rails must be screwed into the cross beam in such a way that the profile ribs and drainage cavities remain undamaged. The post construction must be designed to reliably support the sliding shutter loads.



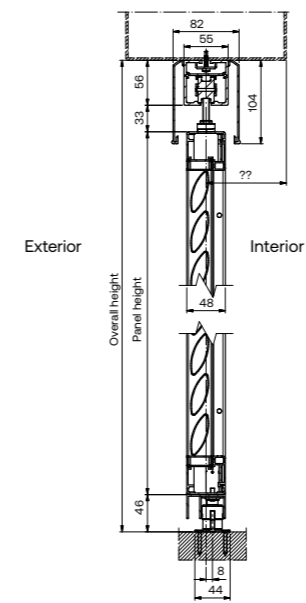
**Single-rail variant**  
Construction depth: 32 mm



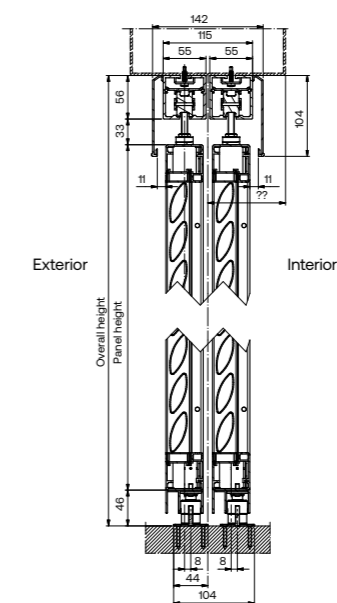
**Double-rail variant**  
Construction depth: 32 mm



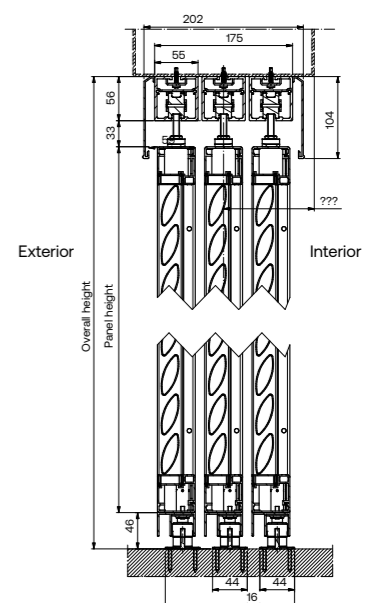
**Triple-rail variant**  
Construction depth: 32 mm



**Single-rail variant**  
Construction depth: 48 mm



**Double-rail variant**  
Construction depth: 48 mm



**Triple-rail variant**  
Construction depth: 48 mm

## **EHRET GmbH**

Bahnhofstrasse 14-18  
D-77972 Mahlberg

+49 (0) 78 22/439-0  
[www.ehret.com](http://www.ehret.com)



**EHRET** 

The logo consists of the word "EHRET" in a bold, black, sans-serif font, followed by a blue icon of three horizontal bars of varying lengths, resembling a stylized 'E' or a modern architectural element.