

## Fast frame Z135

Installation frames / Frames



### Installation instructions

INSTALLATION BY  
SPECIALIST PERSONNEL  
Valid from 06.2016

E 639.2

---

## Notes

These installation instructions describe how to install the EHRET Fast frame Z135.

Carefully read through these installation instructions prior to commissioning. Observe the specified process steps and take into account the notes and recommendations given. Knowledge of and technically impeccable implementation of the given safety notes and warnings are prerequisites for safe and proper operation of the EHRET Fast frame Z135. Insufficient knowledge at the time of commissioning and utilisation lead to the loss of any liability claims against EHRET GmbH.

These installation instructions are a component part of the product and are therefore always to be retained until the product is disposed of. These installation instructions are to be passed along in the event of the sale of this product.

These installation instructions are addressed to qualified specialist personnel. Qualified specialist personnel are persons who are familiar with the transport, set-up, installation, commissioning and operation of the product and who have appropriate qualifications for their work. Specialist personnel must know and observe the relevant standards and/or guidelines.

This product complies with the general rules of technology. Safety-conscious behaviour is necessary for commissioning the product safely. For this reason, observe the following notes.

Should any of the information in these installation instructions not be absolutely clear, it is essential that you contact the specialist personnel at EHRET GmbH, 77972 Mahlberg (Germany).


---


# Contents


Notes . . . . .	2
Explanation of signs and symbols . . . . .	4
Safety notes . . . . .	4
<b>CE</b> EC Declaration of Conformity . . . . .	6
Installation FAQs. . . . .	7
<b>1 Product description</b>	
Scope of delivery . . . . .	8
Tools required . . . . .	9
<b>2 Installation instructions</b>	
Assembling the frame . . . . .	10
Securing the frame in the reveal . . . . .	12
Fastening the clip profiles . . . . .	14
Fastening the clip profiles when installing VOLETRONIC (optional) . . . . .	15

## Explanation of signs and symbols

### Warning notes

 <b>DANGER</b>
▶ Designates an imminent danger that could lead to death or severe injuries if the respective precautionary measures are not implemented.


 <b>WARNING</b>
▶ Means that death, severe bodily injury or major property damage could occur if the respective precautionary measures are not implemented.


 <b>CAUTION</b>
▶ Means a possible danger that could lead to minor injuries or property damage if it is not avoided.

- ▶ Directives for action

## Safety notes

- ▶ Only qualified specialist personnel may carry out installation and commissioning!

 <b>WARNING</b>
<b>Incorrect installation could lead to severe injuries and/or damage to property.</b>
▶ Follow all installation instructions.

 <b>WARNING</b>
▶ Take into account the following notes and warnings in order to avoid dangers and to protect the product.

- ▶ Observe the accident prevention regulations of the Accident Prevention & Insurance Association.
- ▶ Observe the rules of the road during transport.
- ▶ Make sure that the load is well-secured on the means of transport.
- ▶ Cordon off a generously large area around the installation site.
- ▶ Observe without limitation the regulations of the manufacturers of dowel and fitting materials.
- ▶ The mounting bases of the installation site are to be checked for load-bearing capacity prior to installation.
- ▶ In the event of uncertainties about the mounting bases, contact your responsible building experts.
- ▶ Check the product for damage prior to installation. Products requiring repair may not be used.

- ▶ No personnel or obstacles are permitted to be within the range of pivoting and/or travelling shutters while they are moving. Keep personnel and objects away until the shutters have reached their final position.
- ▶ Do not reach into moving parts or closing areas while shutters are opening or closing.
- ▶ Make sure that no articles of clothing or body parts are able to be caught by moving parts in the system.
- ▶ Ice could form on the product in the event of snowfall, sleet or icy rain. Do not operate equipment until the ice is no longer present.
- ▶ Make sure that the shutters are locked before any wind load occurs.
- ▶ The shutters may not be operated at wind speeds from 62 km/h (stormy wind).
- ▶ No additional loads such as persons or objects are permitted to have an effect on the shutters.
- ▶ Shutters are not intended to protect individuals from falls.

** WARNING****Danger of injury from the weight of the product!**

- ▶ Due to the weight of the products, transport and installation must be carried out by at least two individuals.
- ▶ Transport the product carefully in order to avoid damage.
- ▶ Take care to ensure that the product is not damaged when the packaging material is removed.

** WARNING****Danger of suffocation from packaging foil.**

- ▶ The packaging foil must be kept out of reach of children.
- ▶ Store the foil carefully until you turn it in for recycling.
- ▶ Turn the packaging materials in for recycling.

## CE EC Declaration of Conformity

(Original EC Declaration of Conformity)

In accordance with the Construction Products Directive 89/106/EEC

**The manufacturer:** EHRET GmbH  
Aluminium shutters  
Bahnhofstrasse 14-18  
77972 Mahlberg, Germany

declares that the product: **Fast frame Z135**

to which this guideline refers meets all the applicable requirements of the EC Directives specified above,

and that the following harmonised standards have been applied in full:

**EN 13659:2004+A1:2008** Shutters – Performance requirements including safety

Name and address of the individual who is authorised to assemble the technical documentation:

Ralf Gielen  
Head of Technology

Location: 77972 Mahlberg, Germany  
Date: 01.11.2015



EHRET GmbH  
Eberhard Schopferer  
Management

## Installation FAQs

### Which parts have been delivered?

- 3× frame profiles, loose, with pre-mounted bracket
- 2× clamping brackets
- 2× angle brackets
- 4× M5 screws (S1)

### Which fitting materials are used?

- The fitting materials are not included in the scope of delivery!
- The selection of the fitting materials is based on the mounting bases on hand, the load-bearing capacities of which are to be checked before the installation. Observe without limitation the regulations of the manufacturers of dowel and fitting materials.



#### **WARNING**

**Danger of injury/property damage caused by unsuitable fitting materials**

- ▶ The fitting materials are to be selected in accordance with the load-bearing capacity of the mounting bases.

### What is to be taken into account during the function check?

- The frame must be installed parallel and at a right angle in the reveal to ensure that the window shutters work perfectly.

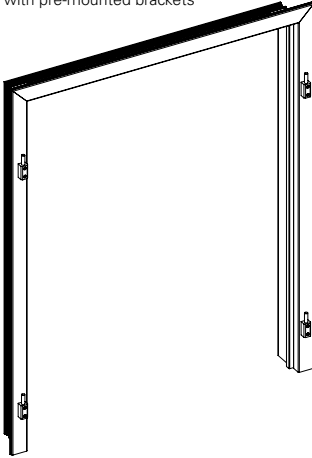
### How is the Z135 fast frame installed?

- The three frame profiles are put together and bolted.
- The frame is aligned and fastened in the reveal.
- The clip frames are clipped into the frame profiles.

## Scope of delivery

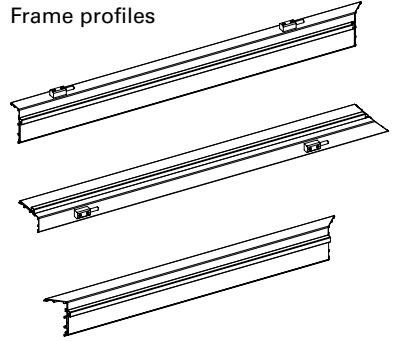
### Fast frame Z135

Frame, in 3 parts  
with pre-mounted brackets

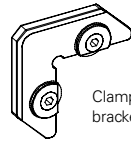


### Contained in the scope of delivery

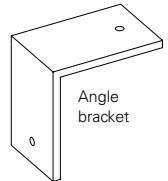
#### Frame profiles



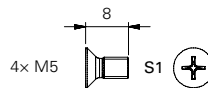
#### Accessories



Clamping  
bracket

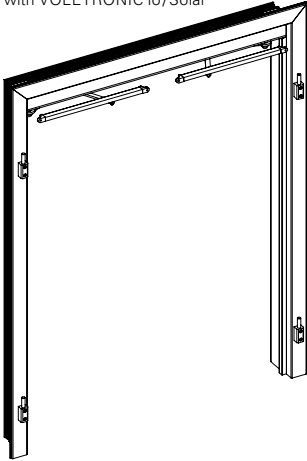


Angle  
bracket



## Option

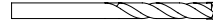
### Fast frame Z135 with VOLETRONIC io/Solar



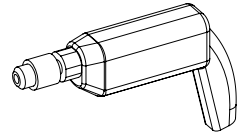
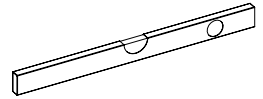
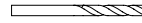
## Tools required

not included in the scope of delivery

Masonry drill



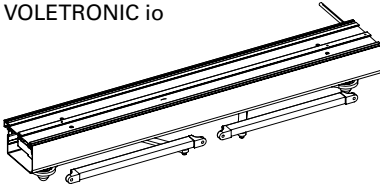
Drill Ø 4.2 mm



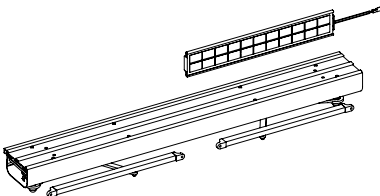
WAF3

**INFO** Fitting material to be provided by the customer!

### VOLETRONIC io



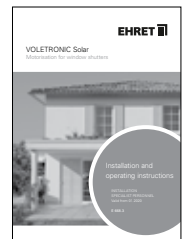
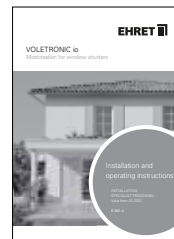
### VOLETRONIC Solar



## NOTES

*Detailed instructions for the installation of the EHRET VOLETRONIC io or VOLETRONIC Solar shutters can be found in the enclosed installation and operating instructions:*

- E 641 VOLETRONIC io resp.
- E 668 VOLETRONIC Solar.



## 2 Installation instructions

### Assembling the frame

---

**⚠ CAUTION**

Risk of cutting injuries caused by the sharp edges of mitre cuts on frame profiles

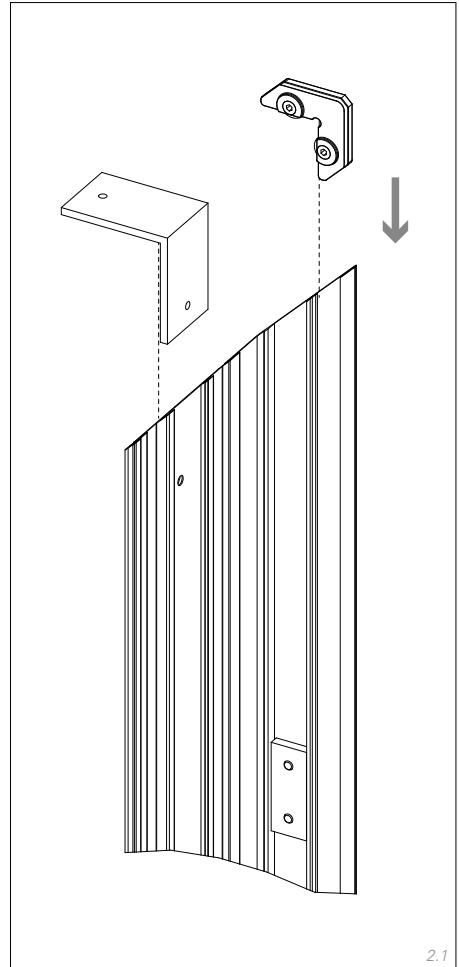
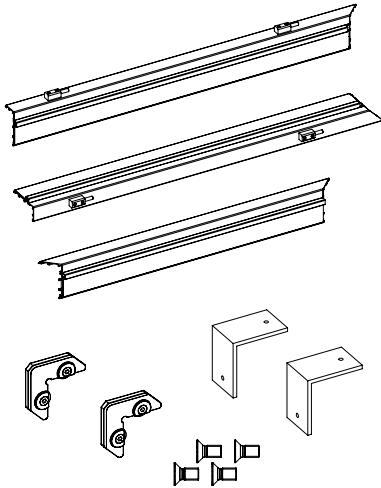
- ▶ Wear protective gloves!

---

**NOTES**

- ▶ Check the scope of delivery for completeness prior to installation.
  - ▶ Keep the frame profiles, clamping and angle brackets, and S1 SCREWS required in this chapter on hand.
- 

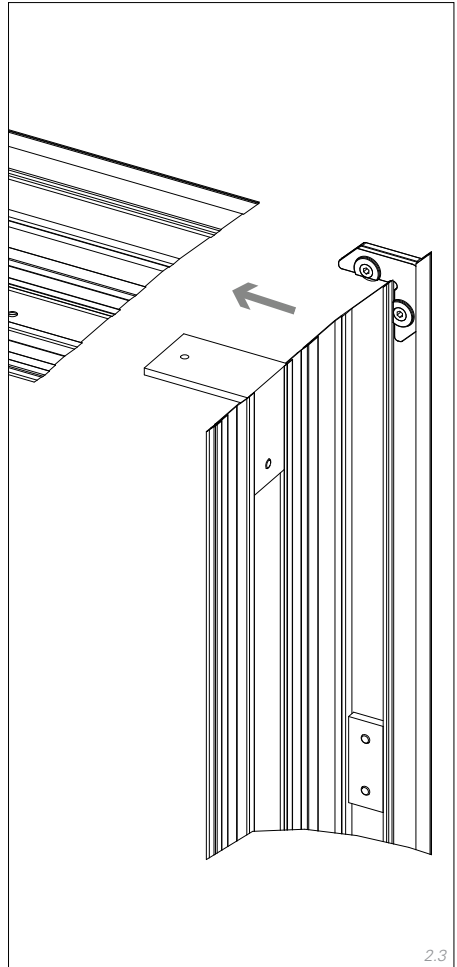
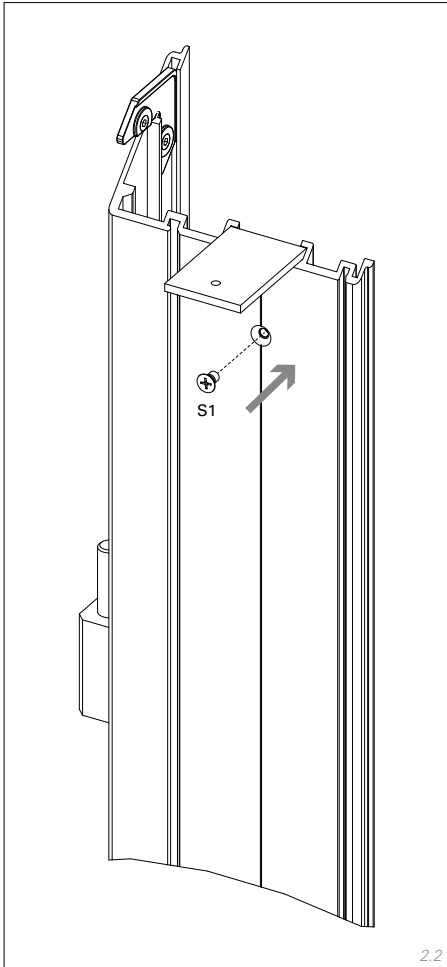
- ▶ Insert the angle and clamping brackets into the frame profile



2.1

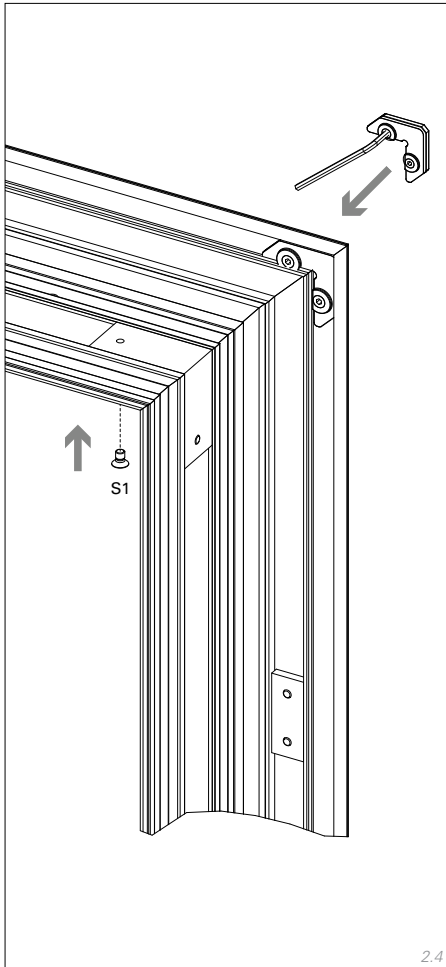
► Fasten the angle bracket using the S1 SCREWS

► Put the frame corner together



## Securing the frame in the reveal

- ▶ Fix the frame corner using the S1 SCREWS
- ▶ Tension the clamping bracket



### ⚠ WARNING

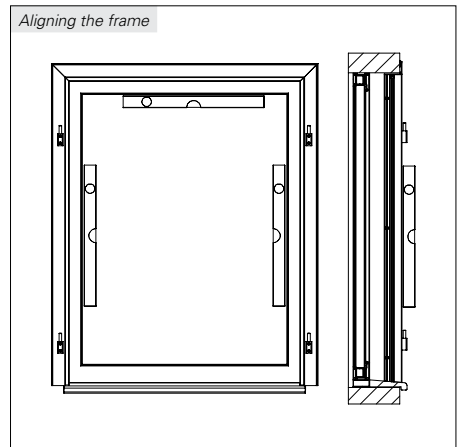
**Danger of injury and property damage caused by unsuitable fitting materials**

- ▶ Select the fastening material in accordance with the load capacity of the installation substrates!

### NOTES

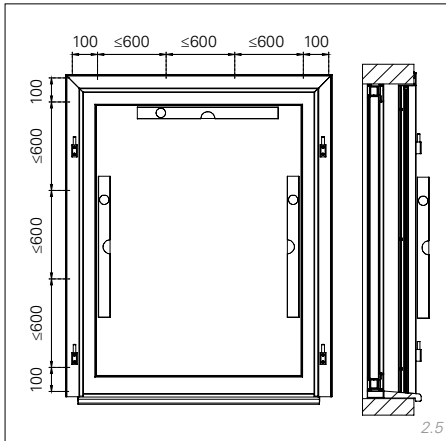
- The selection of the fastening method is dependent on the base and is therefore exclusively your own responsibility.
- The installation material is not included in the scope of delivery.
- Note that the frame must be installed parallel and at a right angle in the reveal to ensure that the window shutters work perfectly.

- ▶ Align the frame using a spirit level and check that the horizontal profiles run parallel



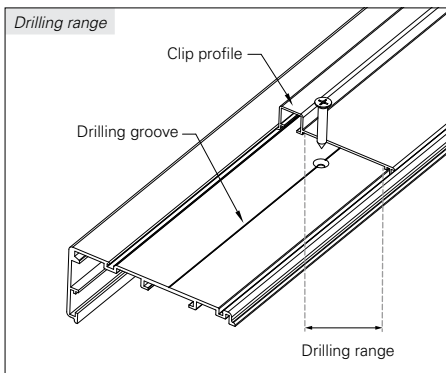
- ▶ Pre-drill the frame for bolting with counter-sunk screws

*EHRET recommends fastening the frame 100 mm away from each of the frame corners and also at intervals of max. 600 mm on all sides.*



- ▶ Line up the mounting holes with the drilling groove

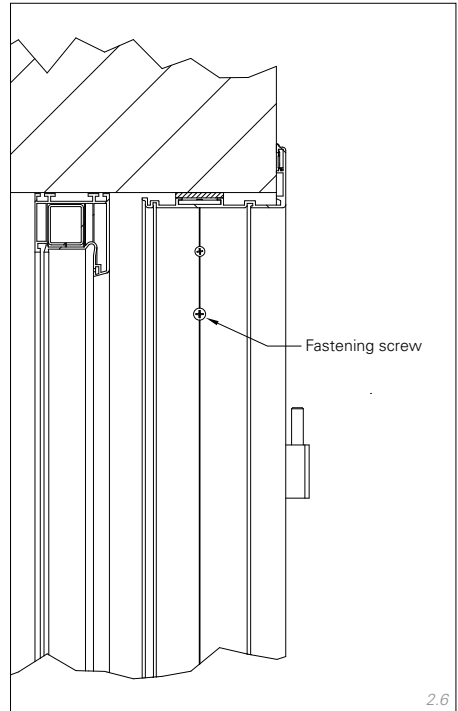
*If you are not using the drilling groove, please only drill inside the drilling range shown!*



- ▶ Fasten the frame

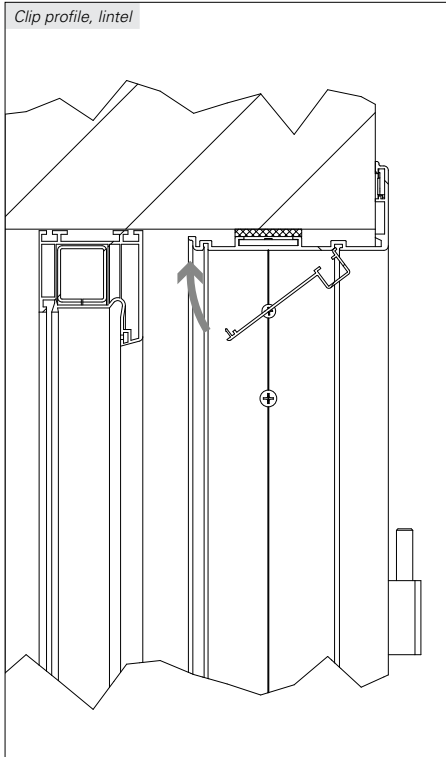
#### NOTES

To avoid a collision with the clip profile, use countersunk screws for fastening purposes.

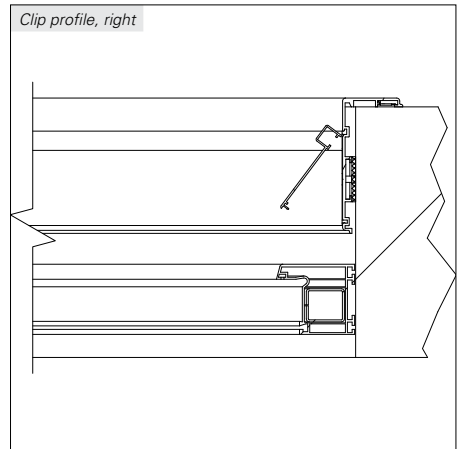
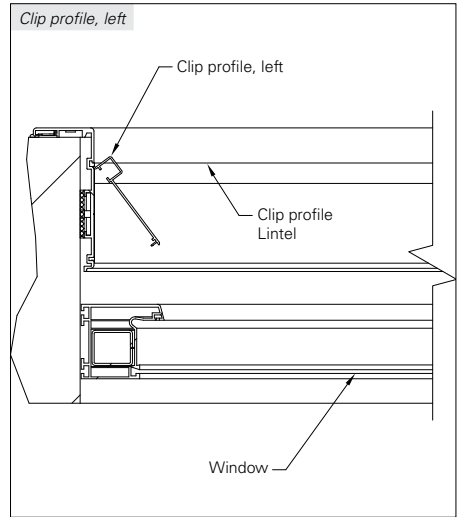


## Fastening the clip profiles

- ▶ Insert the top clip profile in the lintel into the frame groove and clip into place

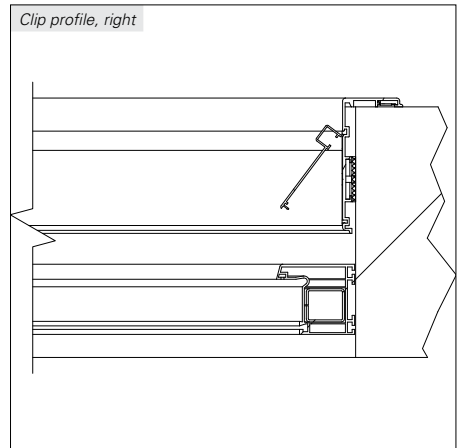
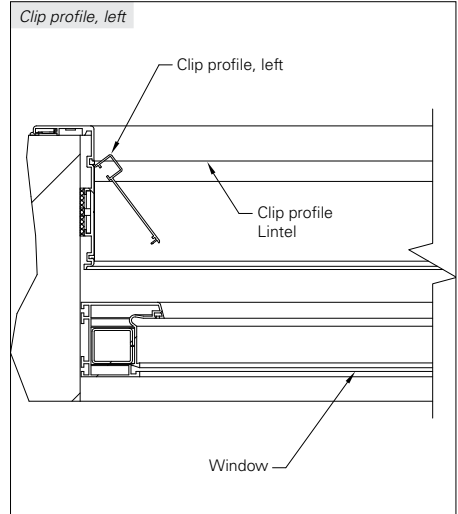
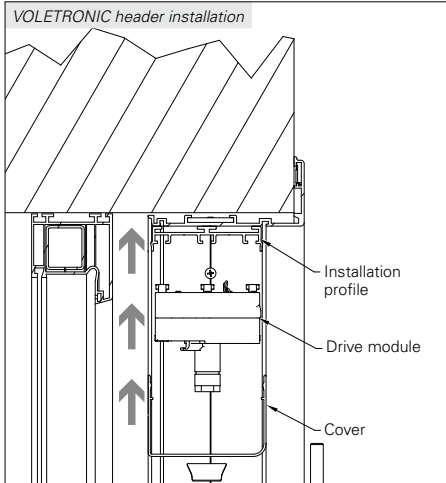


- ▶ Insert the clip profiles on the left-hand and right-hand sides in the reveal into the frame groove and clip into place



## Fastening the clip profiles when installing VOLETRONIC (optional)

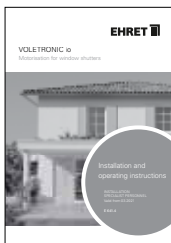
- ▶ Mount the installation profile and fasten the drive modules
- ▶ Attach the cover
- ▶ Insert the clip profiles on the left-hand and right-hand sides in the reveal into the frame groove and clip into place



### NOTES

Detailed instructions for the installation of the EHRET VOLETRONIC io or VOLETRONIC Solar shutters can be found in the enclosed installation and operating instructions:

- E 641 VOLETRONIC io resp.
- E 668 VOLETRONIC Solar.



## **EHRET GmbH**

Aluminium shutters

Bahnhofstrasse 14-18

77972 Mahlberg, Germany

Tel. +49(0)78 22/439-0

Fax +49(0)78 22/439-116

[www.ehret.com](http://www.ehret.com)