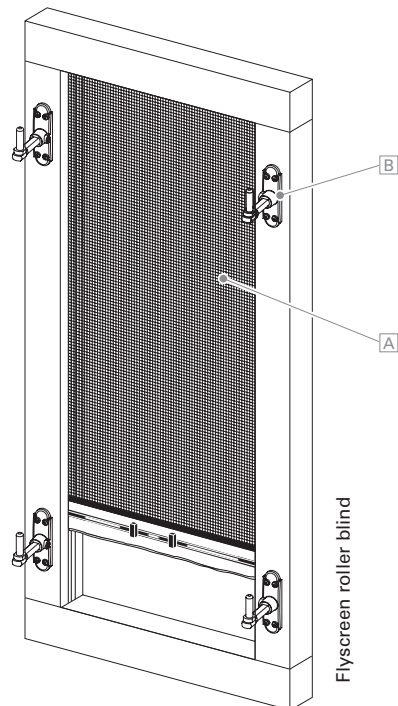


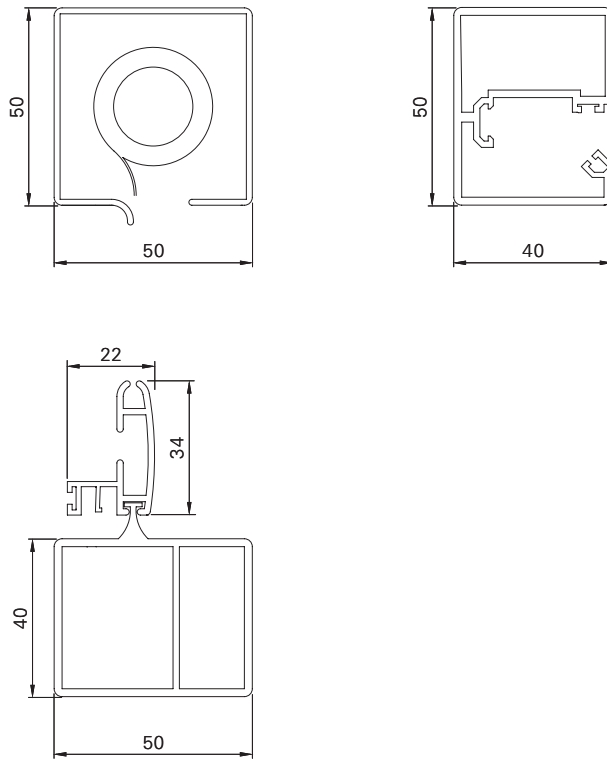
# Flyscreen roller blind



<b>Surface</b>	Silk gloss Powder-coated 200 °C as finished element
<b>Colours</b>	Standard: RAL 9016 (Traffic White), RAL 7016 (Anthracite grey), RAL 8001 (Ochre brown), RAL 8014 (Sepia brown), RAL 9006 (White aluminium); Special RAL colours on request
<b>Finishes</b>	not possible
<b>Fittings</b>	Includes ready-mounted MACO brackets and straps, loose shutter catches or mounted detent holders, With hinge mounting outside, EHRET hinges (art. no. 5151) and closure hooks are required. With hinge mounting inside, extra loose closure fittings are supplied against payment. Fittings black, or white.
<b>Notes</b>	Flyscreen roller blind with MACo brackets installed <input type="checkbox"/> , without sash; Flyscreen roller blind can also be ordered without fittings and sash  At a height over 2100 mm, 3 brackets are used on each side



Frame profile



<b>Min./max. dimensions</b>	Width: 500 mm to 1600 mm Height: 500 mm to 2000 mm Larger sizes on request
<b>Weight</b>	Approx. 12 kg/m <sup>2</sup>
<b>Frame profile</b>	50 × 50 mm extruded aluminium profile 40 × 50 mm extruded aluminium profile 34 × 22 mm extruded aluminium profile 50 × 40 mm extruded aluminium profile
<b>Tissue</b>	Transpatec  , Fiberglass anthracite
<b>Installation types</b>	Bolted on the inside by rabbet, Bolted from the outside (Installation holes at front), Bolted on the side by reveal (Installation holes at side), Bolted on the inside/outside with detent holder
<b>Options</b>	Frame 3-sided   Outside operation   Pull cord   Hook-in loop   Hook-in loop with operating rod   Additionally adjustable engagement   Asymmetric operation   Detent holder