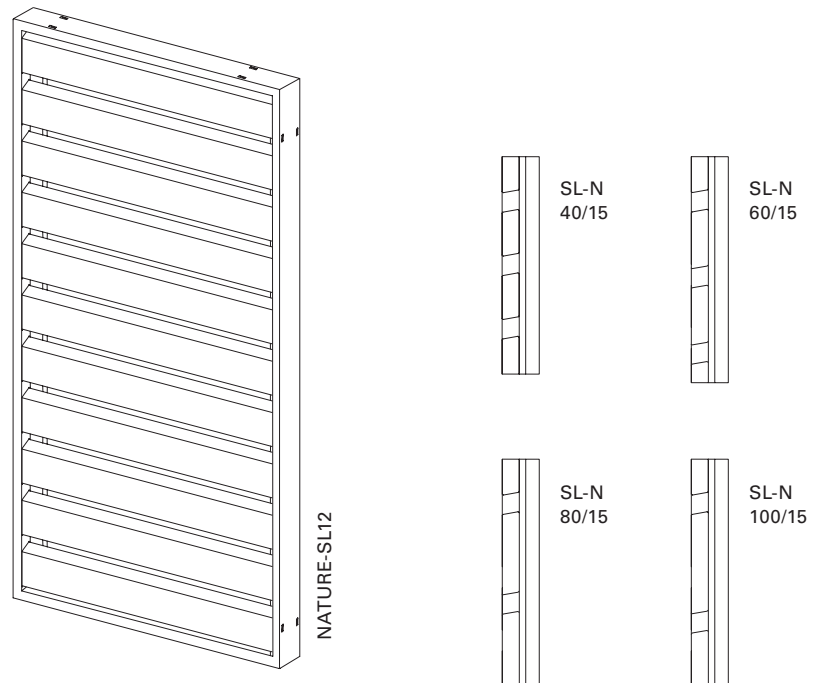


# NATURE-SL12

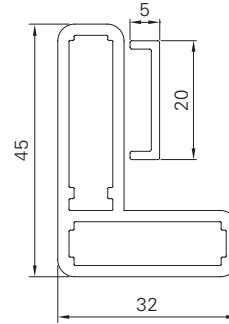
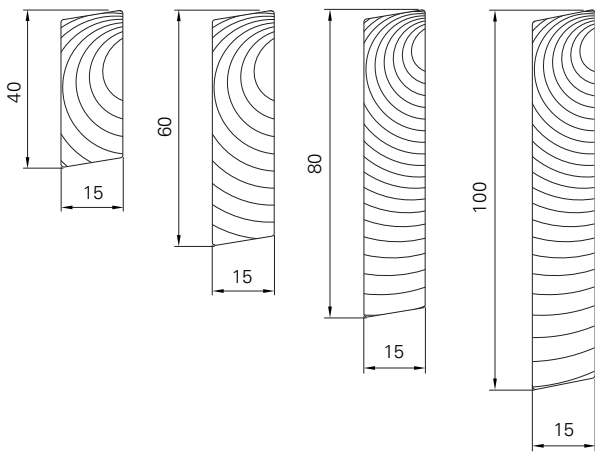


<b>Surface</b>	Solid wood slat, planed Fine structure matt (standard), silk gloss, matt Powder-coated 200 °C before assembly
<b>Type of wood</b>	European larch
<b>Colours</b>	Colours available on request and in accordance with order placement once a sample has been produced and approved
<b>Pretreatment</b>	Untreated; Glazed slats on request
<b>Notes</b>	The considerable weight must be taken into consideration when preparing assembly



Slat profile

Frame profile



SL-N40

SL-N60

SL-N80

SL-N100

SL12

<b>Min./Max. dimensions</b>	Width: 225 to 600 mm Height: 800 to 2500 mm
<b>Min./Max. infeed</b>	Approx. 70,0–80,0 mm
<b>Weight</b>	Approx. 15 kg/m <sup>2</sup>
<b>Frame profile</b>	45 × 32 mm extruded aluminium hollow chamber profile
<b>Slat profile</b>	40/60/80/100 × 15 mm solid wood slat
<b>Slat carrier profile</b>	20 × 5 mm extruded aluminium profile
<b>Corner connections</b>	Glued-in aluminium bracket with visible notch in the outer frame
<b>Options</b>	Pull catch   Turning lock   Pre-assembly   Gap and joint cover   Protection against flashover   Rail end stop   Arrester for shutter with bracket   Motorisation MoveTronic