

## PROVENCE

Folding shutter



## Installation instructions

INSTALLATION BY  
SPECIALIST PERSONNEL  
Valid from 09.2011

E 911.8

---

## Notes

These installation instructions describe the installation and commissioning of EHRET folding shutters.

These installation instructions are a component part of the product and are therefore always to be retained until the product is disposed of.

These installation instructions are to be passed along in the event of the sale of this product. These instructions are addressed to qualified specialist personnel. Qualified specialist personnel are persons who are familiar with the transport, set-up, installation, commissioning and operation of the product and who have appropriate qualifications for their work. Specialist personnel must know and observe the relevant standards and/or guidelines.

This product complies with the general rules of technology. Safety-conscious behaviour is necessary for commissioning the product safely. For this reason, observe the following notes.

Carefully read through these instructions prior to commissioning. Observe the specified process steps and take into account the notes and recommendations given. Knowledge of and technically impeccable implementation of the given safety notes and warnings are prerequisites for safe and proper operation of the folding shutters. Insufficient knowledge at the time of commissioning and utilisation lead to the loss of any liability claims against EHRET GmbH.

Should any of the information in these installation instructions not be absolutely clear, it is essential that you contact the specialist personnel at EHRET GmbH, 77972 Mahlberg (Germany).

---

► *Remove the labels stuck to the shutters after installation!*

---

Bore hole sizes and fastening material are recommendations only and may vary depending on the substrate!


---


# Contents


Notes . . . . .	2
Explanation of symbols and characters . . . . .	4
Safety notes . . . . .	4
<b>CE</b> EC Declaration of Conformity . . . . .	6
Installation FAQs . . . . .	7
<b>A PROVENCE – without opener</b>	
Scope of delivery . . . . .	8
Installation steps . . . . .	10
<b>B PROVENCE – with one-handed opener</b>	
Scope of delivery . . . . .	20
Installation steps . . . . .	22
<b>C PROVENCE – with two-handed opener</b>	
Scope of delivery . . . . .	32
Installation steps . . . . .	34
<b>D PROVENCE – with rod lock</b>	
Scope of delivery . . . . .	40
Installation steps . . . . .	42

## Explanation of signs and symbols

### Warning notes

 <b>DANGER</b>
▶ Designates an imminent danger that could lead to death or severe injuries if the respective precautionary measures are not implemented.


 <b>WARNING</b>
▶ Means that death, severe bodily injury or major property damage could occur if the respective precautionary measures are not implemented.


 <b>CAUTION</b>
▶ Means a possible danger that could lead to minor injuries or property damage if it is not avoided.

- ▶ Directives for action

## Safety notes

- ▶ Only qualified specialist personnel may carry out installation and commissioning!

 <b>WARNING</b>
<b>Incorrect installation could lead to severe injuries and/or damage to property.</b>
▶ Follow all installation instructions.

 <b>WARNING</b>
▶ Take into account the following notes and warnings in order to avoid dangers and to protect the product.

- ▶ Observe the accident prevention regulations of the Accident Prevention & Insurance Association.
- ▶ Observe the rules of the road during transport.
- ▶ Make sure that the load is well-secured on the means of transport.
- ▶ Cordon off a generously large area around the installation site.
- ▶ Observe without limitation the regulations of the manufacturers of dowel and fitting materials.
- ▶ The mounting bases of the installation site are to be checked for load-bearing capacity prior to installation.
- ▶ In the event of uncertainties about the mounting bases, contact your responsible building experts.
- ▶ Check the product for damage prior to installation. Products requiring repair may not be used.

- ▶ No personnel or obstacles are permitted to be within the range of pivoting and/or traveling shutters while they are moving. Keep personnel and objects away until the shutters have reached their final position.
- ▶ Do not reach into moving parts or closing areas while shutters are opening or closing.
- ▶ Make sure that no articles of clothing or body parts are able to be caught by moving parts in the system.
- ▶ Ice could form on the product in the event of snowfall, sleet or icy rain. Do not operate equipment until the ice formation is no longer present, and switch automatic controls to manual.
- ▶ Make sure that the shutters are locked before any wind load occurs.
- ▶ The shutters may not be operated at wind speeds from 62 km/h (stormy wind).
- ▶ No additional loads such as persons or objects are permitted to have an effect on the shutters.
- ▶ Shutters are not intended to protect individuals from falls.

** WARNING****Danger of injury from the weight of the product!**

- ▶ Due to the weight of the products, transport and installation must be carried out by at least two individuals.

- ▶ Transport the product carefully in order to avoid damage.
- ▶ Take care to ensure that the product is not damaged when the packaging material is removed.

** WARNING****Danger of suffocation from packaging foil.**

- ▶ The packaging foil must be kept out of reach of children.
  - ▶ Store the foil carefully until you turn it in for recycling.
- ▶ Turn the packaging materials in for recycling.

## CE EC Declaration of Conformity

(Original EC Declaration of Conformity)

In accordance with the Construction Products Directive 89/106/EEC

**The manufacturer:** EHRET GmbH  
Aluminium shutters  
Bahnhofstrasse 14-18  
77972 Mahlberg, Germany

hereby declares that the following product

Product designation: **Folding shutter PROVENCE**  
Description of function: Sun/glare protection and screen

meets all the applicable requirements of the EC Directives specified above.

The following harmonised standards have been applied in full:

**EN 13659:2004+A1:2008** Shutters – Performance requirements including safety

—

Name and address of the individual who is authorised to assemble the technical documentation:

Ralf Gielen  
Head of Technology

Location: 77972 Mahlberg, Germany  
Date: 01.07.2010



EHRET GmbH  
Eberhard Schopferer  
Management

## Installation FAQs

### Which parts have been delivered?

- Frame profiles, loose
- Slat packages
- Accessory parts

- Reinsert the dismantled guide rail half and screw it into place.
- Position, drill and screw the fastening profile of the slat packages on to the lateral frame profiles.

### Which means of attachment are being used?

- The installation/fitting materials are not included in the scope of delivery!
- The selection of the fitting materials is based on the mounting bases on hand, the load-bearing capacities of which are to be checked before the installation. Observe without limitation the regulations of the manufacturers of dowel and fitting materials.

### What is to be taken into account with the function check?

- Can the folding shutter sashes be moved easily?



#### **WARNING**

**Unsuitable means of attachment could lead to severe injuries and/or damage to property.**

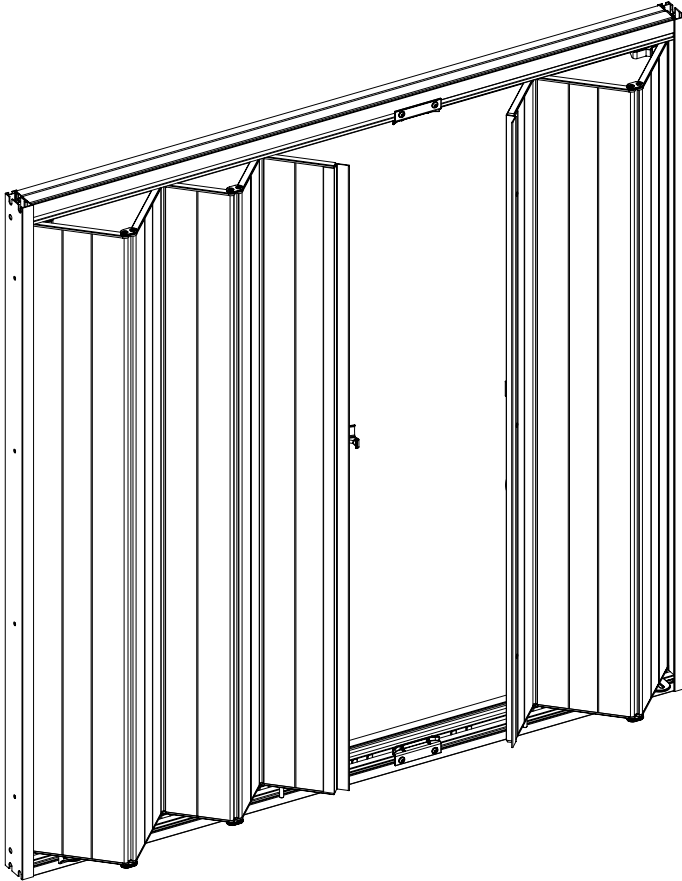
- ▶ Select the means of attachment in accordance with the load-bearing capacity of the mounting bases.

### How are the slat packages hooked into the fastening frame?

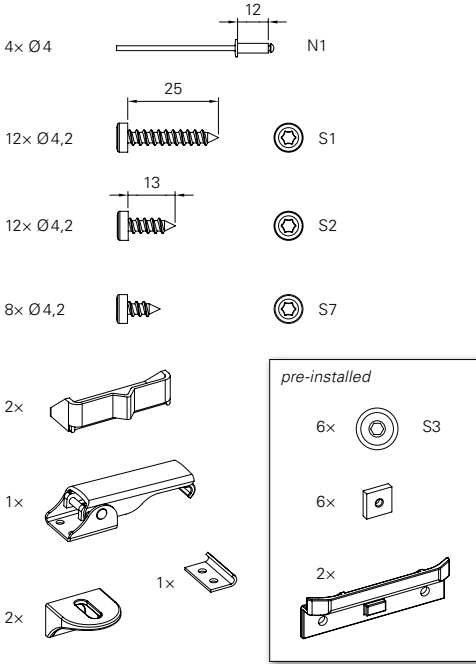
- Dismount one half of the upper guide rail which is divided into two parts and inserted into the fastening frame.
- Position the first slat package by placing it into the bottom guide and inserting the upper gliders into the mounted guide rail.
- Thread in the second slat package in the same way and park it next to the first package.

## A PROVENCE | without opener

Scope of delivery

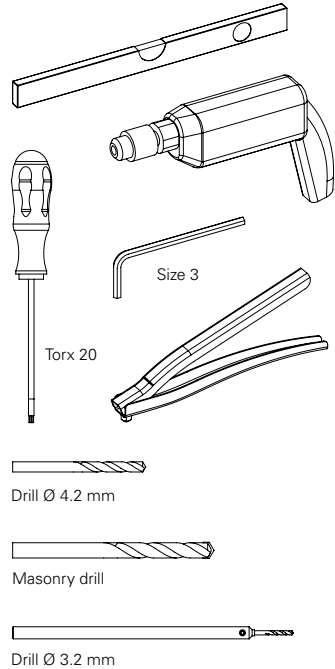


## Contained in the scope of delivery

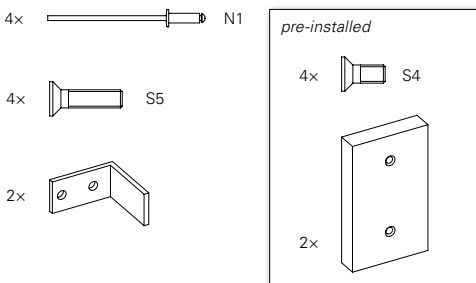


## Tools required\*

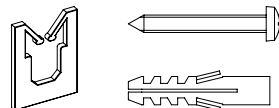
\*not included in the scope of delivery



## Accessories for barrier-free version



## Not included in the scope of delivery

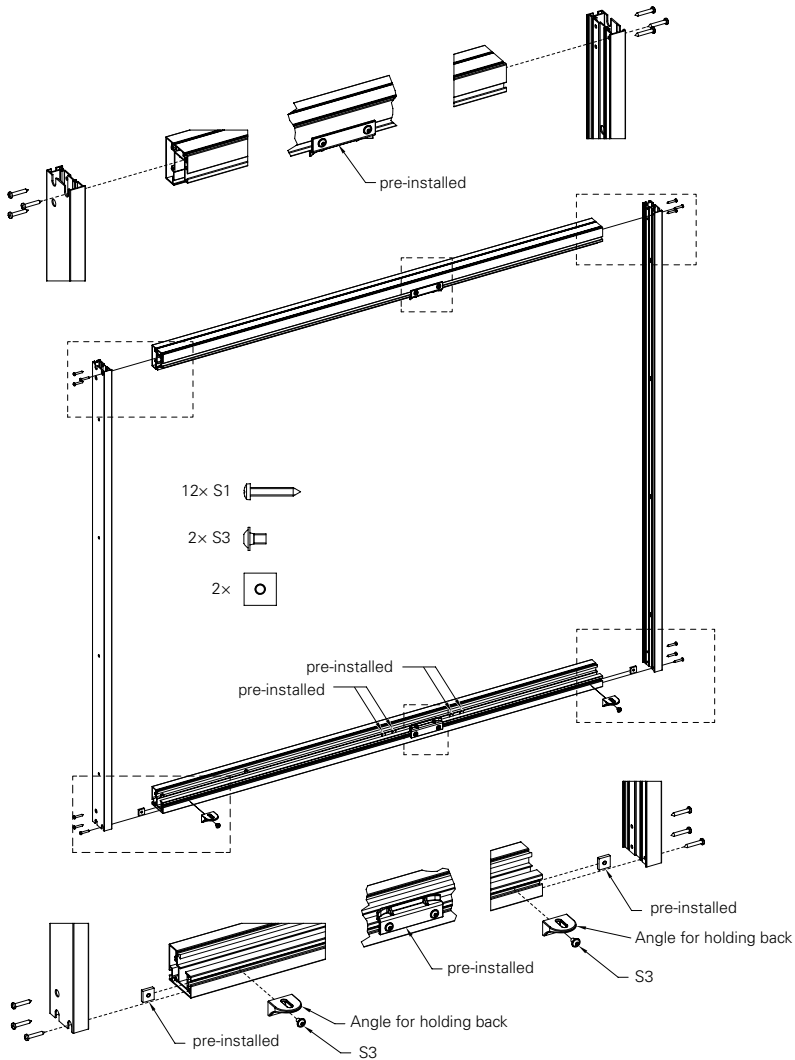


**INFO** Installation material to be provided by the customer!

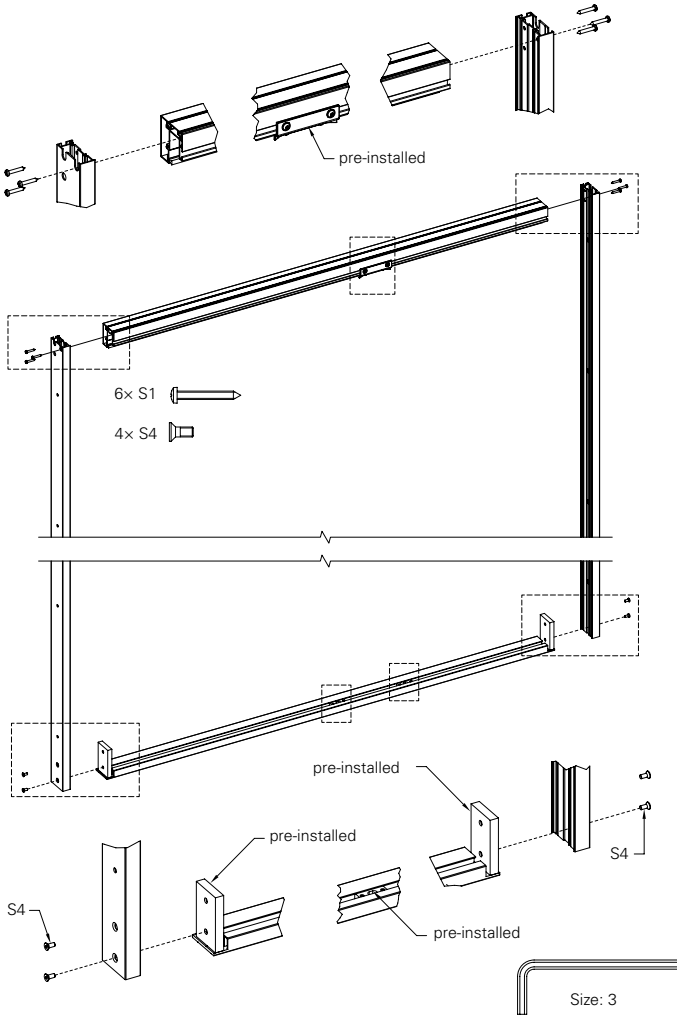
## Installation steps

1	Assembling the standard fastening frame . . . . .	11
2	Assembling the barrier-free fastening frame (optional). . . . .	12
3	Fastening in the reveal and dismantle angle for guide . . . . .	13
4	Dismounting the guide rail . . . . .	14
5	Hanging the slat packages in place. . . . .	14
6	Mounting the guide rail. . . . .	15
7	Fastening the slat packages . . . . .	15
8	Mounting the centre lock. . . . .	16
9	Mounting the plastic spring . . . . .	16
10	Mounting the top and bottom inlet brackets . . . . .	17
11	Setting the locking blocks . . . . .	17
12	Setting the retaining brackets . . . . .	18
13	Fastening the barrier-free retaining bracket (optional) . . . . .	18

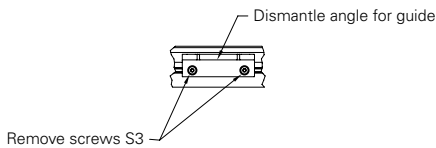
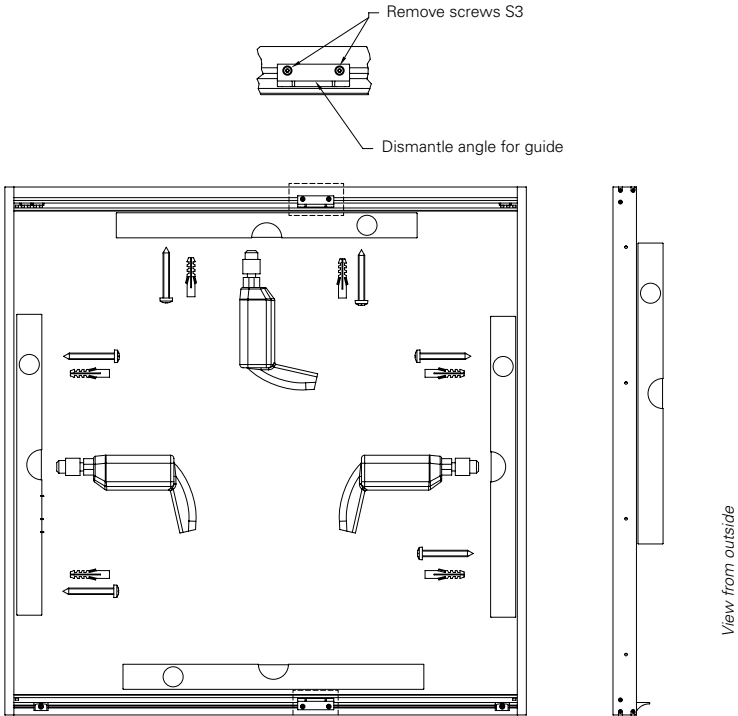
## 1 Assembling the standard fastening frame



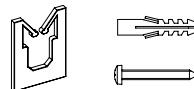
## 2 Assembling the barrier-free fastening frame (optional)



### 3 Fastening in the reveal and dismantle angle for guide



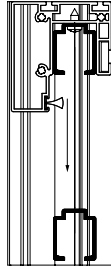
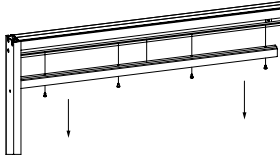
not included in the scope of delivery\*



\*Installation material to be provided by the customer!

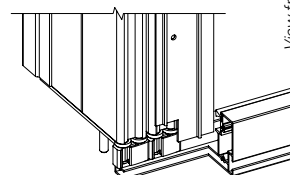
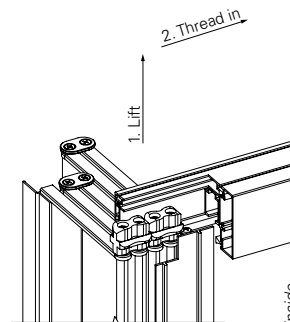
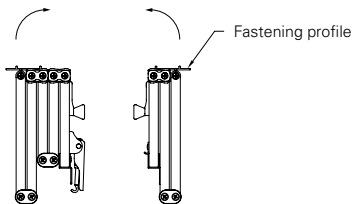
## 4 Dismounting the guide rail

- ▶ Dismount half of the guide rail.



## 5 Hanging the slat packages in place

- ▶ Insert the slat package into the bottom guide (pay attention to whether it is the left or right package).
- ▶ Lift the slat package and hang it in place in the guide rail.
- ▶ Move the package to its end position and hang the second slat package in place.



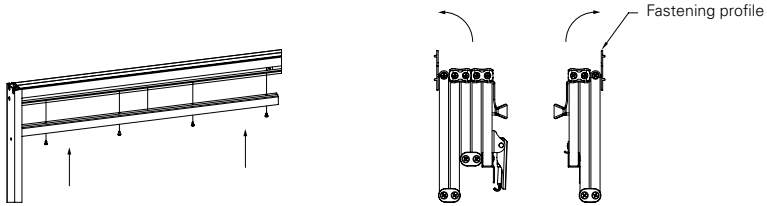
View from inside

### **!** IMPORTANT

- Position the fastening profile as illustrated above to hang it in place and move it!
- Do not place the slat package on to the glider!

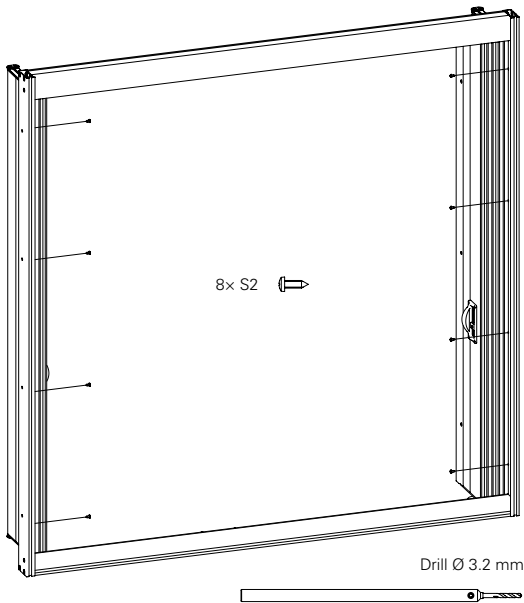
## 6 Mounting the guide rail

- ▶ Reinstall the guide profile.
- ▶ Push the slat package up to the lateral frame profiles, then open the fastening profiles as illustrated in the diagram.



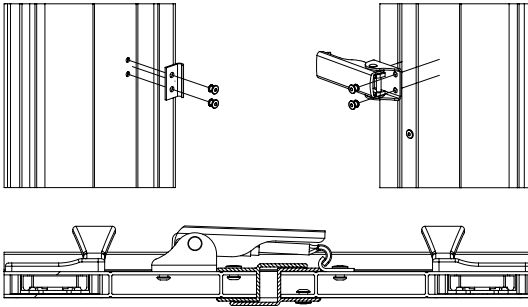
## 7 Fastening the slat packages

- ▶ Drill the slat packages and screw them on to the side parts.



## 8 Mounting the centre lock

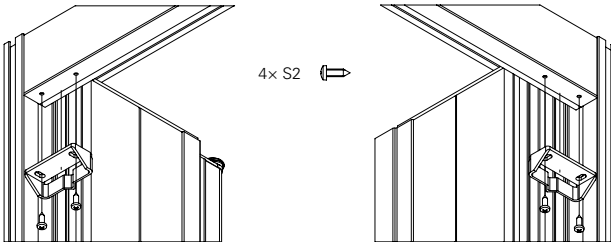
- ▶ Fasten the centre lock in the existing drill holes.

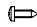


4x N1 

## 9 Mounting the plastic spring

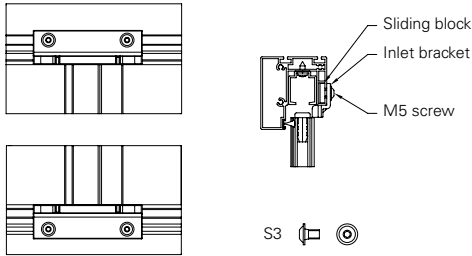
- ▶ Screw the plastic spring into the pre-drilled fastening holes.



4x S2 

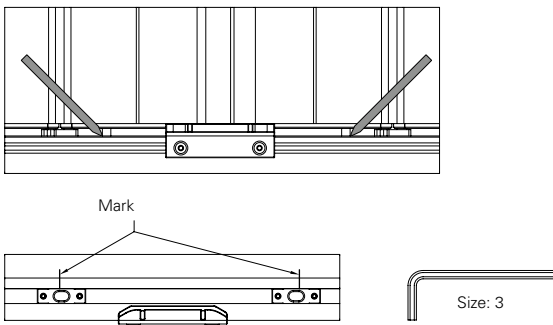
## 10 Mounting the top and bottom inlet brackets

- ▶ Position the inlet bracket in the middle (see image) in front of the compensation profiles and screw into place.



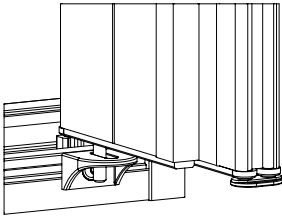
## 11 Setting the locking blocks

- ▶ Close the folding shutter.
- ▶ Mark the bolt rod from the outside.
- ▶ Align the locking blocks with the mark and fasten in place.



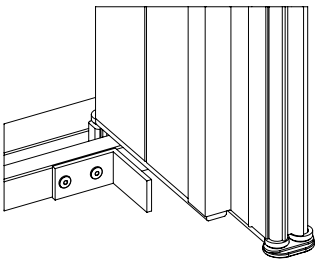
## 12 Setting the retaining brackets


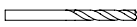
- ▶ Align the retaining bracket with the bolt rod.



## 13 Fastening the barrier-free retaining bracket (optional)

- ▶ Align the retaining bracket with the bolt rod, drill and fasten with rivets.

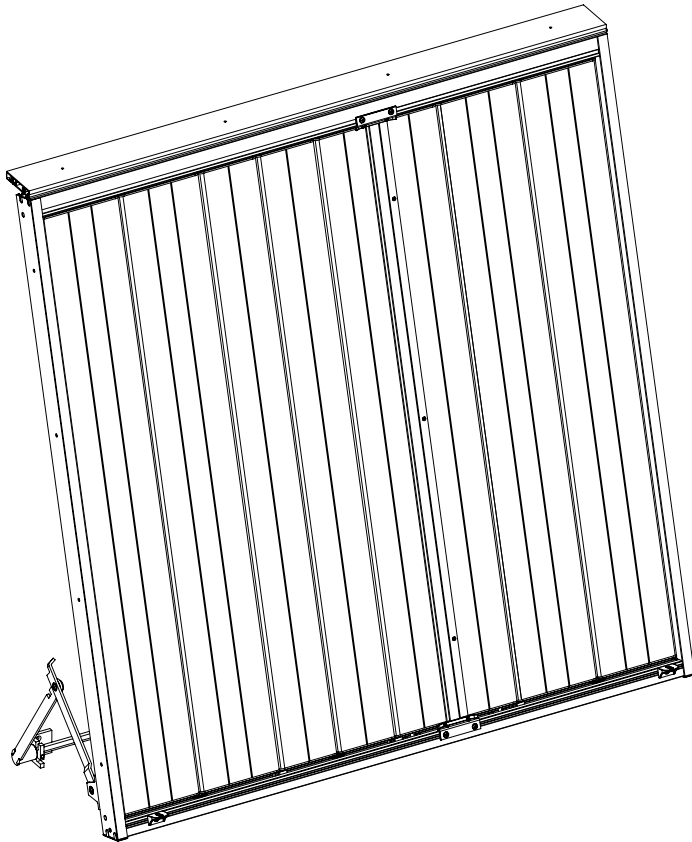


4x N1  

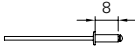
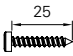
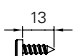
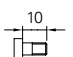






## B PROVENCE – with one-handed opener




Scope of delivery

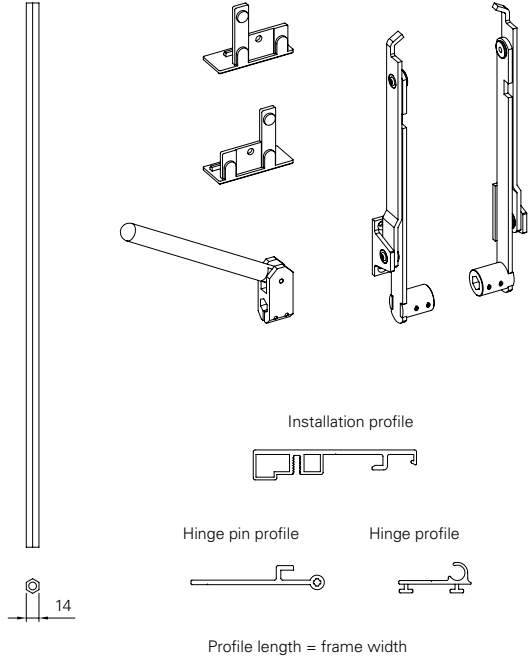


## Contained in the scope of delivery

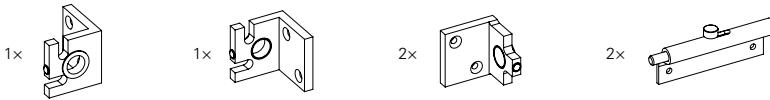
2x Ø4		N1
12x Ø4,2		S1
6x Ø4,2		S2
2x M5		S3
2x washer for M4		U1
4x rubber buffer, small		GP1
2x rubber buffer, large		GP2
2x stop buffer		GP3

*pre-installed*

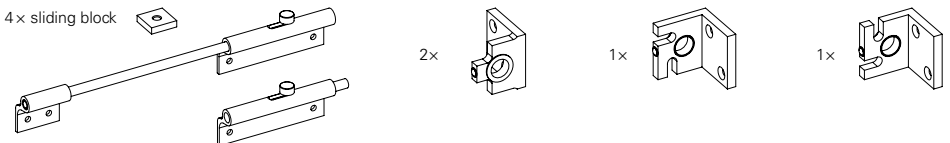
4x M5		S4
6x M5		S5
16x sliding block		



## Standard



## Asymmetrical



## Installation steps

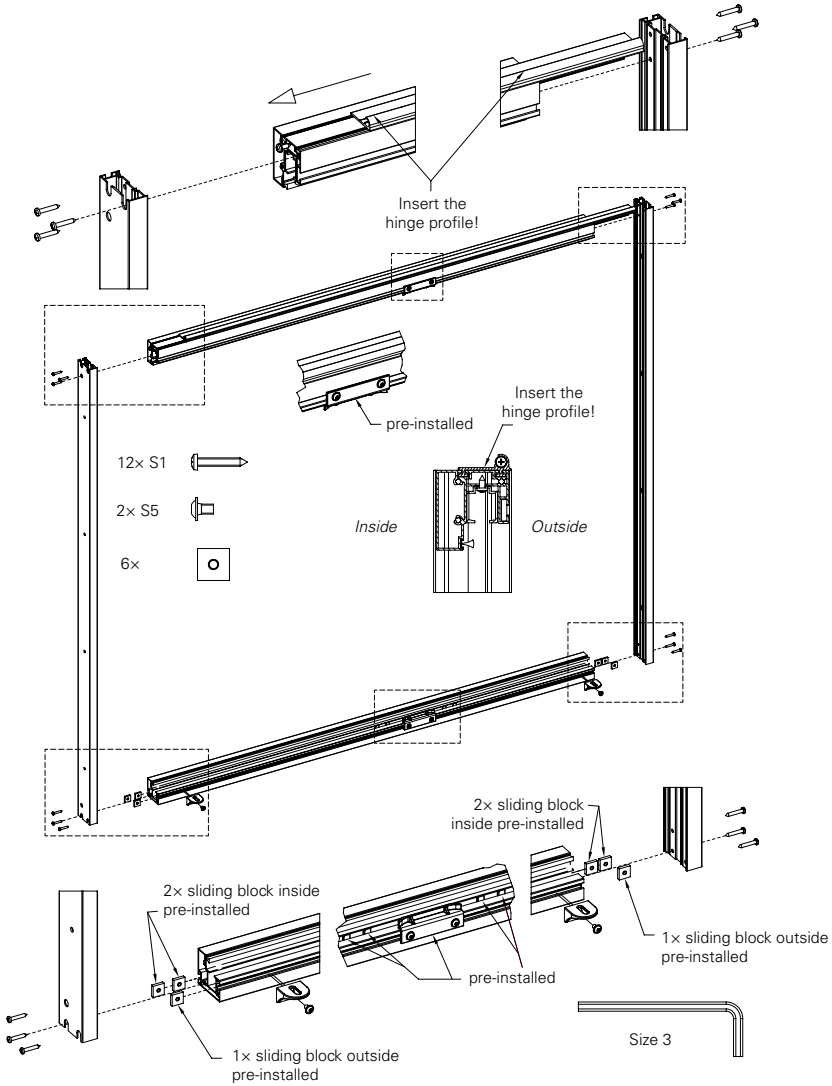
1	Assembling the standard fastening frame . . . . .	23
1.1	Fastening the hinge profile . . . . .	24
1.2	Mounting in the reveal . . . . .	25
1.3	Hanging the folding shutter frame in place. . . . .	25
1.4	Assembling the one-handed opener . . . . .	26
1.5	Mounting the opener arms and lever . . . . .	26
1.6	Mounting the opener on the fastening frame . . . . .	27
1.7	Mounting the lock, standard . . . . .	28
1.8	Mounting the lock, asymmetrical . . . . .	29
1.9	Marking the opener scissor on the window frame. . . . .	30
1.10	Fastening the opener scissor on to the window frame . . . . .	30

---

### Installation step 2–11:

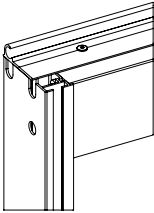
▶ see	chapter <b>A</b> “PROVENCE – without opener” . . . . .	p. 12–17
2	Assembling the barrier-free fastening frame (optional). . . . .	12
3	Fastening in the reveal and dismantle angle for guide . . . . .	13
4	Dismounting the guide rail . . . . .	14
5	Hanging the slat packages in place. . . . .	14
6	Mounting the guide rail. . . . .	15
7	Fastening the slat packages . . . . .	15
8	Mounting the centre lock. . . . .	16
9	Mounting the plastic spring . . . . .	16
10	Mounting the top and bottom inlet brackets . . . . .	17
11	Setting the locking blocks . . . . .	17

# 1 Assembling the standard fastening frame

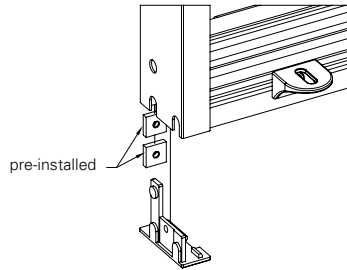


## 1.1 Fastening the hinge profile

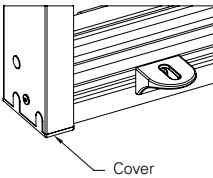
- ▶ Align the hinge profile so that it is laterally flush, drill and fasten with rivets.



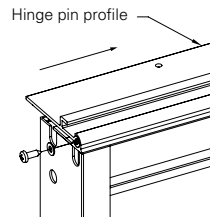
- ▶ Insert 2 sliding blocks on both the left and right side.



- ▶ Snap in, drill and fasten the cover with rivets.



- ▶ Insert the hinge pin profile into the hinge profile and secure with a washer and S2 screw on both the left and right side!



2 ×  U1

2 ×  S2

 Drill Ø 4.2 mm

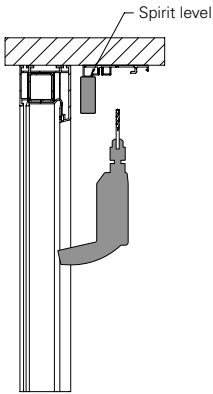
*pre-installed*

4 × 

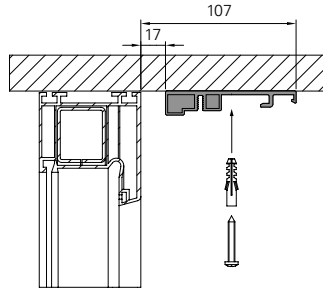
6 ×  S5

6 × Ø 4,2 mm  N1

## 1.2 Mounting in the reveal

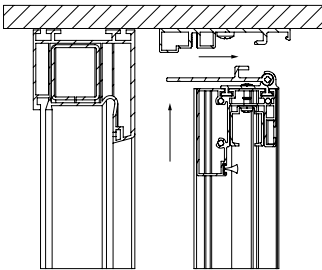


- ▶ Position and align the profile with a spirit level, drill and fasten in place.

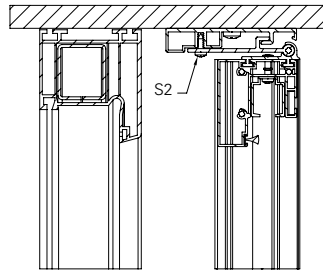


## 1.3 Hanging the folding shutter frame in place

- ▶ Hang the folding shutter frame in place in the installation profile.



- ▶ Fasten the folding shutter frame with screws.



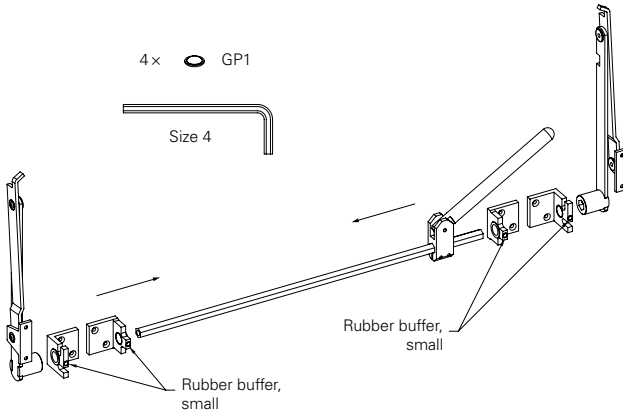
not included in the scope of delivery\*



\*Installation material to be provided by the customer!

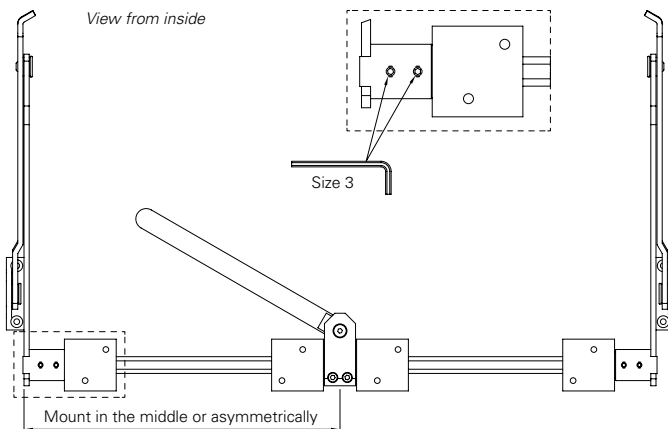
## 1.4 Assembling the one-handed opener

- ▶ Push all the opener parts on to the hexagonal bar (as in the diagram).
- ▶ Stick the small rubber buffers on to the brackets.

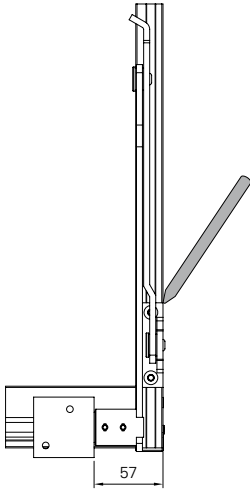


## 1.5 Mounting the opener arms and lever

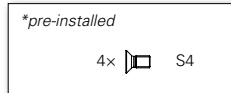
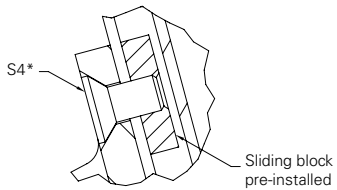
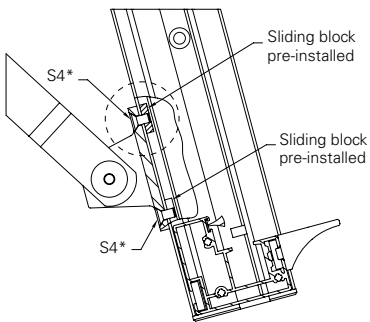
- ▶ Align and fasten the opener arms and lever.



## 1.6 Mounting the opener on the fastening frame

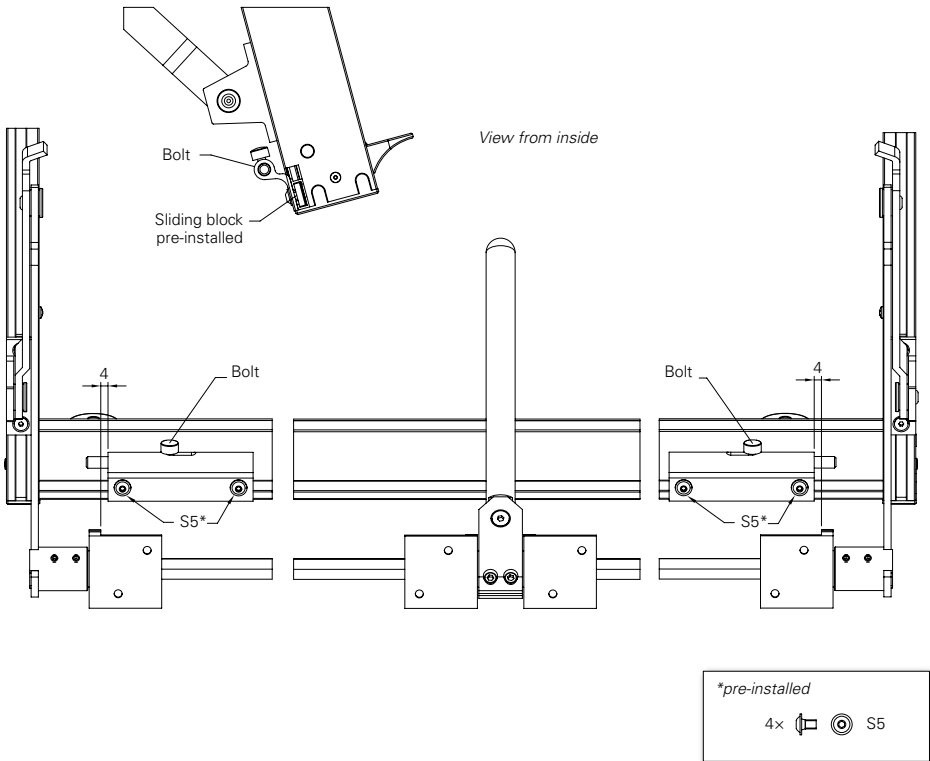


- ▶ Mark the position of the opener bracket on the frame.
- ▶ Using the sliding blocks, fasten the opener bracket in the vertical profile.
- ▶ Align the opener bracket at the right height on the left and right side.



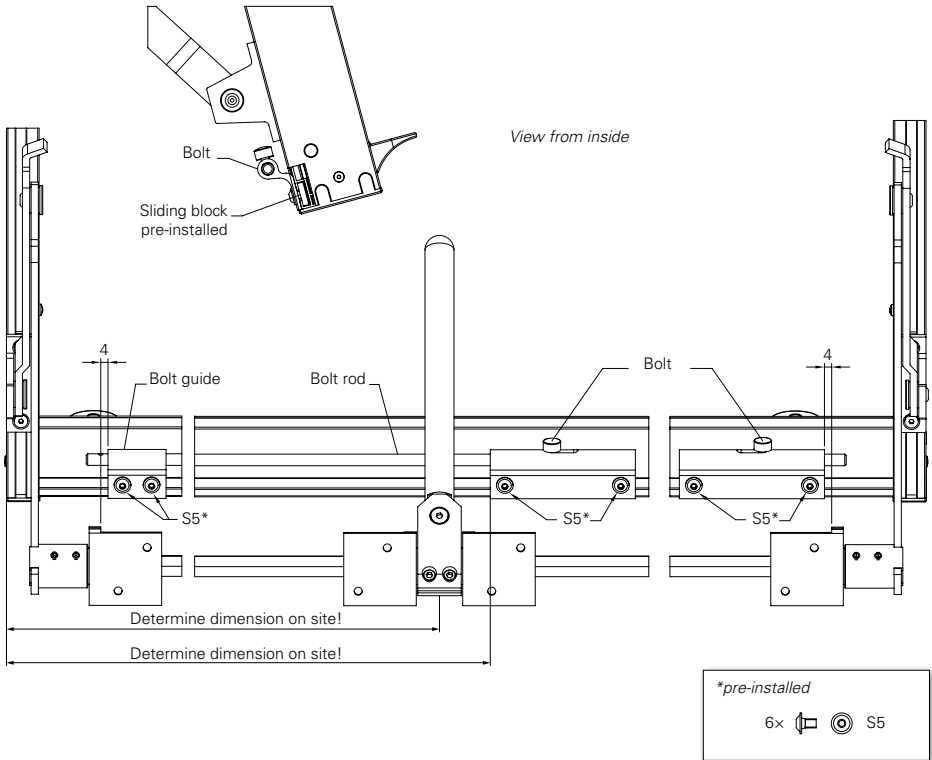
## 1.7 Mounting the lock

- ▶ Mount the bolt at a distance (4 mm) with the sliding block.



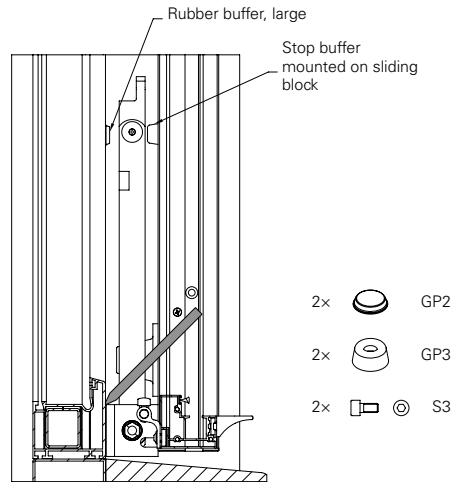
## 1.8 Mounting the lock, asymmetrical

- ▶ Mount the bolt and bolt guide at a distance (4 mm) with sliding blocks.



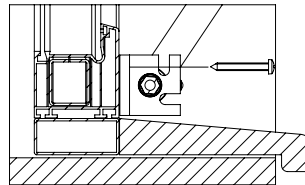
## 1.9 Marking the opener scissor on the window frame

- ▶ Close the fastening frame with mounted opener scissor.
- ▶ Then mark the opener's fastening brackets on the window frame.
- ▶ Check that the bolt functions properly before drilling.



## 1.10 Fastening the opener scissor on to the window frame

- ▶ After marking, open the fastening frame.
- ▶ Depending on the window type (wood, aluminium, PVC), use holes or screws to mount the opener scissor.




not included in the scope of delivery



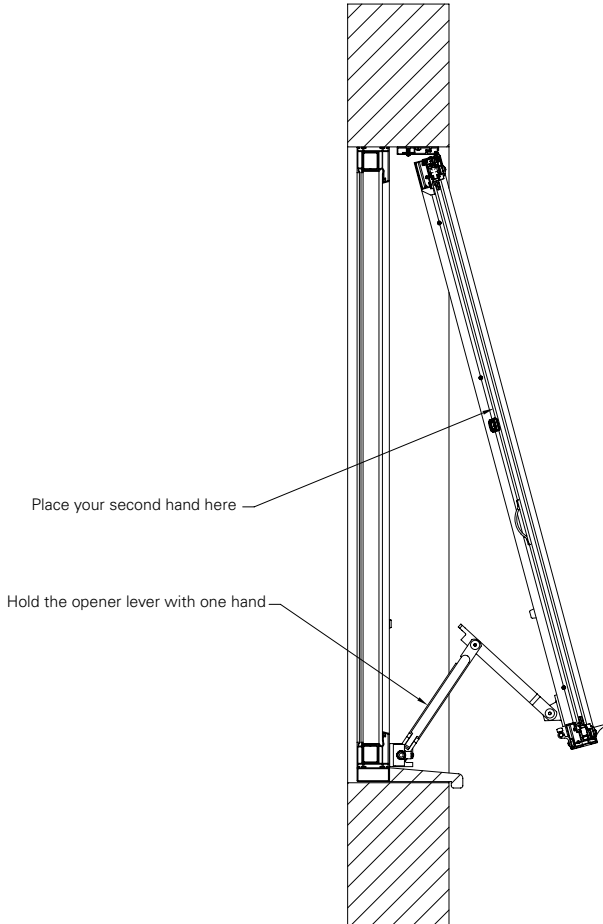
### Installation step 2–11:

▶ see chapter **A** "PROVENCE – without opener" ..... p. 12–17

 **CAUTION****Risk of crushing and injury**

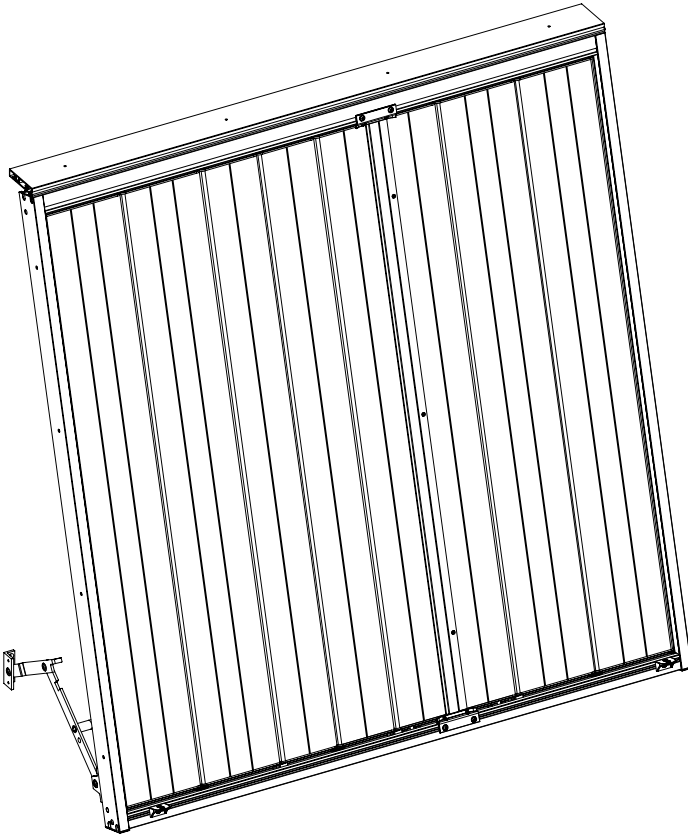
Due to the size and weight of the folding shutter, hands may be crushed and injured when opening and closing the opener.

► When opening and closing the opener, use your other hand to support it.

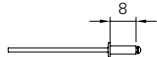




## C PROVENCE – with two-handed opener




Scope of delivery

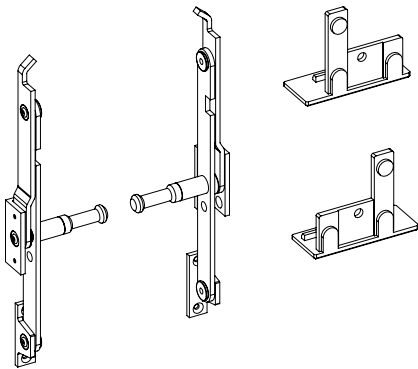


### Contained in the scope of delivery

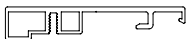
- 2x  N1
- 6x  S2
- 2x M4  U1

*pre-installed*

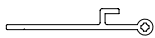
- 4x  S4     4x sliding block 
- 6x  S5



Installation profile



Hinge pin profile



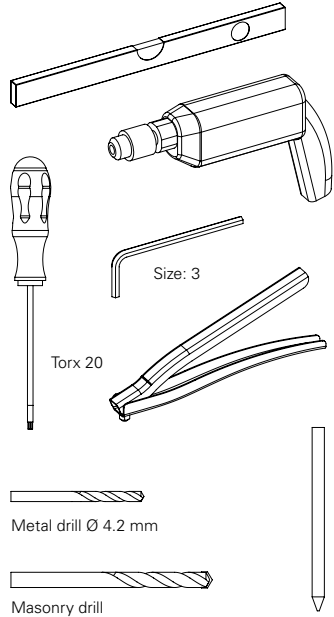
Hinge profile



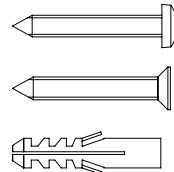
Profile length = frame width

### Tools required\*

\*not included in the scope of delivery



### Not included in the scope of delivery



**INFO** Installation material to be provided by the customer!

## Installation steps

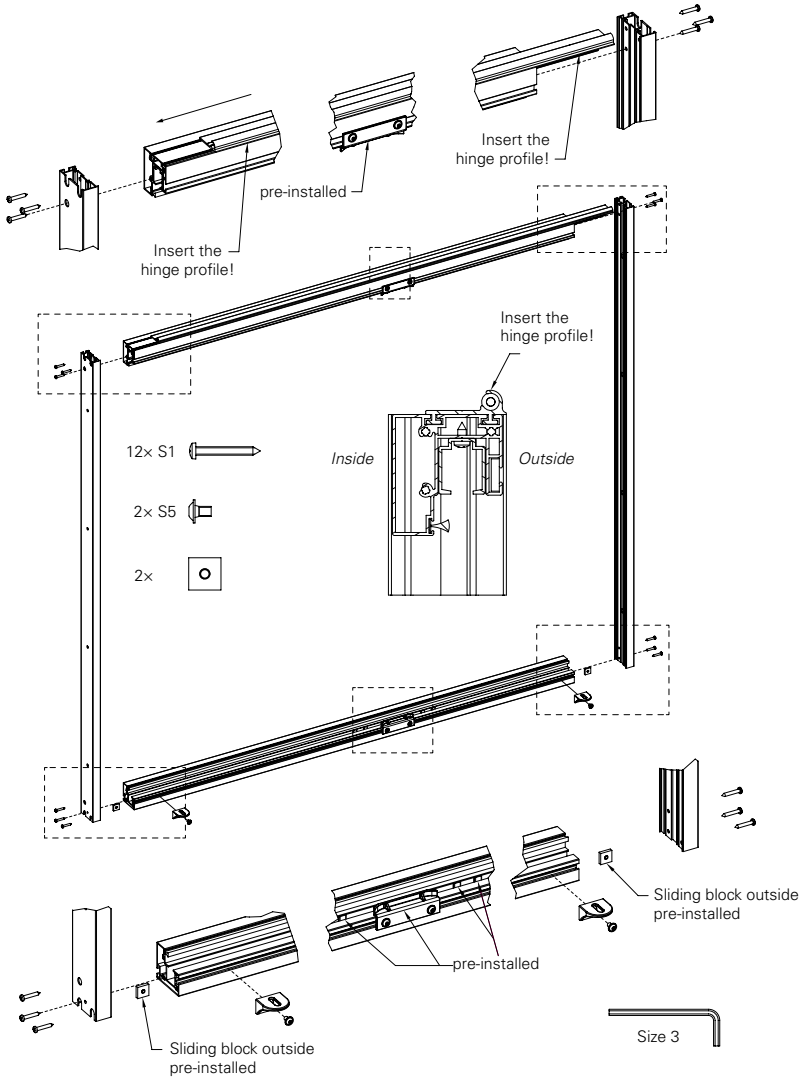
1	Assembling the standard fastening frame . . . . .	35
1.1	Fastening the hinge profile . . . . .	36
1.2	Mounting in the reveal . . . . .	37
1.3	Hanging the folding shutter frame in place. . . . .	37
1.4	Assembling the one-handed opener . . . . .	38
1.5	Marking the opener scissor on the window frame. . . . .	38
1.6	Fastening the opener scissor on to the window frame . . . . .	39

---

### Installation step 2–11:

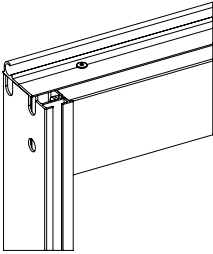
▶ see	chapter <b>A</b> “PROVENCE – without opener” . . . . .	p. 12–17
2	Assembling the barrier-free fastening frame (optional). . . . .	12
3	Fastening in the reveal . . . . .	13
4	Dismounting the guide rail . . . . .	14
5	Hanging the slat packages in place. . . . .	14
6	Mounting the guide rail. . . . .	15
7	Fastening the slat packages . . . . .	15
8	Mounting the centre lock. . . . .	16
9	Mounting the plastic spring . . . . .	16
10	Mounting the top and bottom inlet brackets . . . . .	17
11	Setting the locking blocks . . . . .	17

# 1 Assembling the standard fastening frame

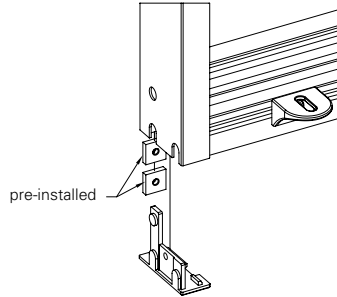


## 1.1 Fastening the hinge profile

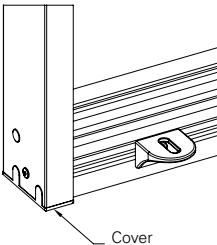
- ▶ Align the hinge profile so that it is laterally flush, drill and fasten with rivets.



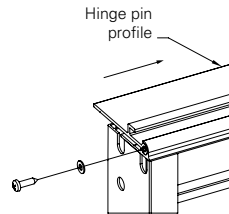
- ▶ Insert 2 sliding blocks on both the left and right side.




- ▶ Snap in, drill and fasten the cover with rivets.



- ▶ Insert the hinge pin profile into the hinge profile and secure with a washer and S2 screw on both the left and right side!



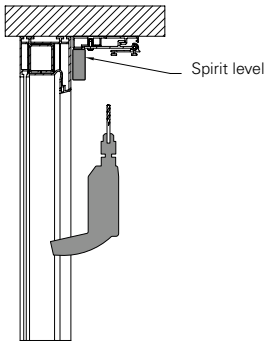
2x  U1    2x  S2

 Drill Ø 4.2 mm

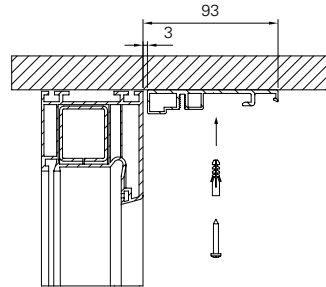


6x Ø 4,2 mm  N1

## 1.2 Mounting in the reveal

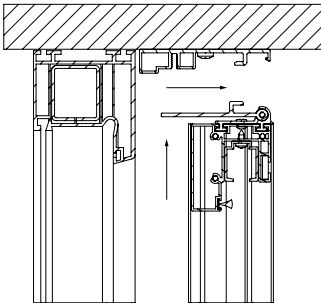


- ▶ Position and align the profile with a spirit level, drill and fasten in place.

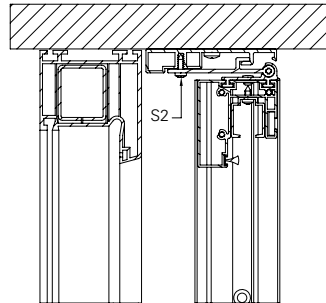


## 1.3 Hanging the folding shutter frame in place

- ▶ Hang the folding shutter frame in place in the installation profile



- ▶ Fasten the folding shutter frame with screws

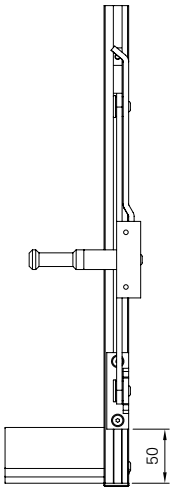


not included in the scope of delivery\*

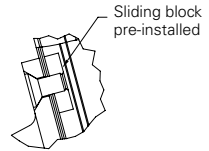
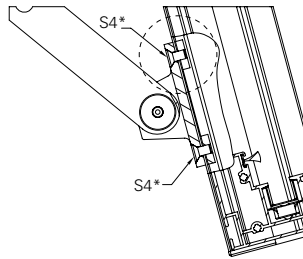


\*Installation material to be provided by the customer!

## 1.4 Mounting the opener on the fastening frame

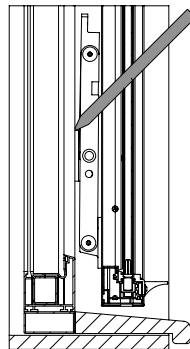


- ▶ Mark the position of the opener bracket on the frame.
- ▶ Using the sliding blocks, fasten the opener bracket in the vertical profile.
- ▶ Align the opener bracket at the right height on the left and right side.

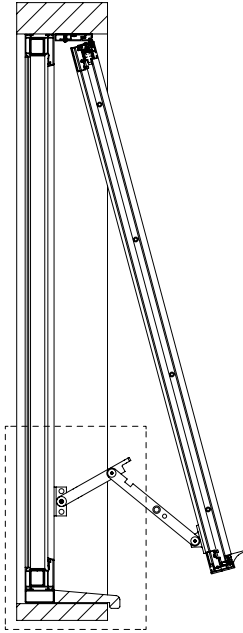


## 1.5 Marking the opener scissor on the window frame

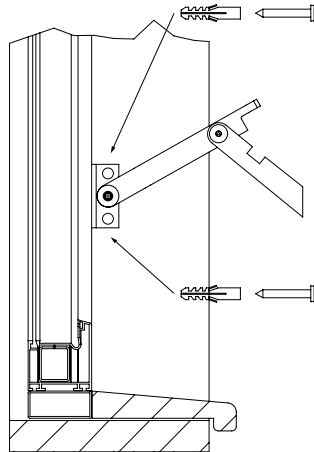
- ▶ Close the fastening frame with mounted opener scissor.
- ▶ Now mark the mounting plate on the window frame or on the wall.



## 1.6 Fastening the opener scissor on to the window frame





- ▶ After marking the mounting plate, open the fastening frame.
- ▶ When the frame is open, depending on the window type (wood, aluminium, PVC), use holes or screws to mount the opener scissor.



not included in the scope of delivery\*

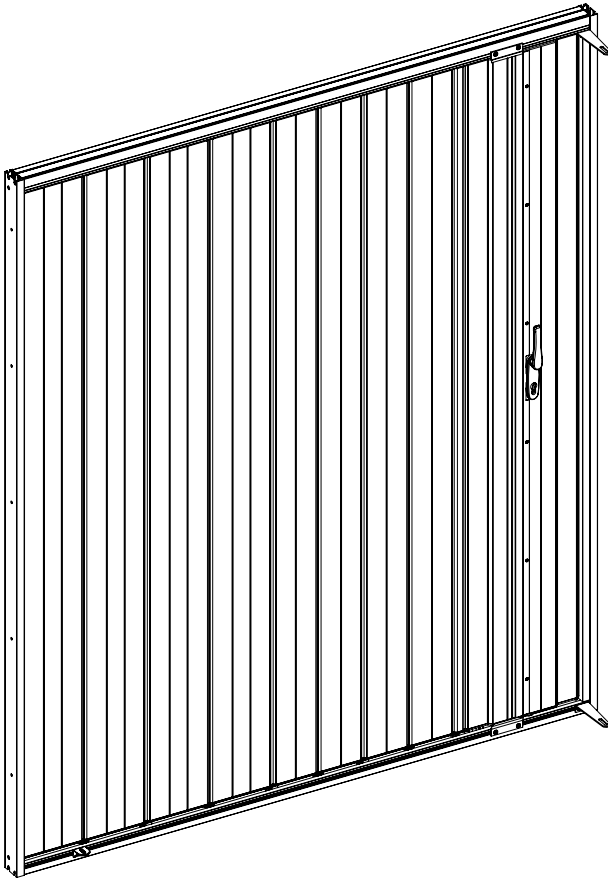


### Installation step 2–11:

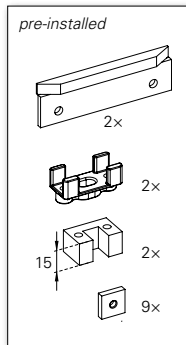
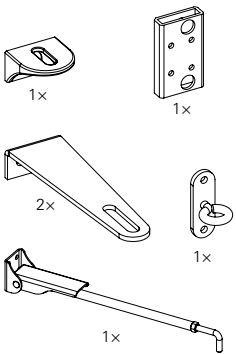
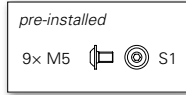
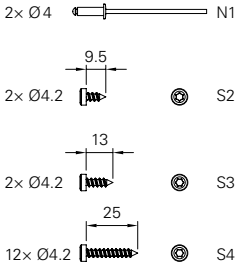
▶ see  chapter  "PROVENCE – without opener" ..... p. 12–17

## D PROVENCE – with rod lock

Scope of delivery

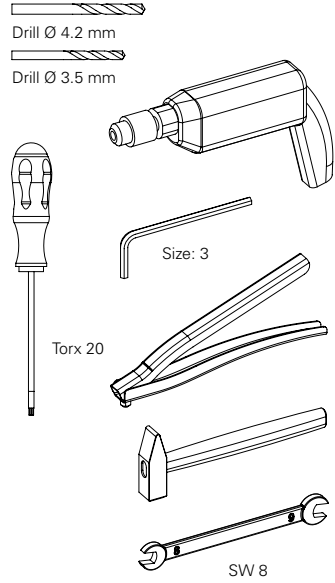


## Contained in the scope of delivery

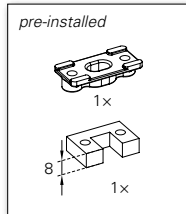
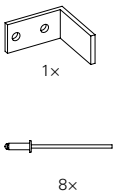


## Tools required\*

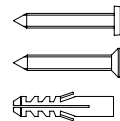
\*not included in the scope of delivery



## Accessories for barrier-free version



## not included in the scope of delivery




**INFO** Installation material to be provided by the customer!

## Installation steps

D1	Assembling fastening frame	
	A) with rod lock . . . . .	43
	B) barrier-free version with rod lock (optional) . . . . .	44

---

### Installation step 3–7:


▶	see  chapter <b>A</b> “PROVENCE – without opener” . . . . .	p. 13–15
3	Fastening in the reveal . . . . .	13
4	Dismounting the guide rail . . . . .	14
5	Hanging the slat packages in place. . . . .	14
6	Mounting the guide rail. . . . .	15
7	Fastening the slat packages . . . . .	15

---

D2	Mounting the rod lock centre closure . . . . .	45
----	--	----

---

### Installation step 9:

▶	see  chapter <b>A</b> “PROVENCE – without opener” . . . . .	p. 16
9	Mounting the plastic spring . . . . .	16

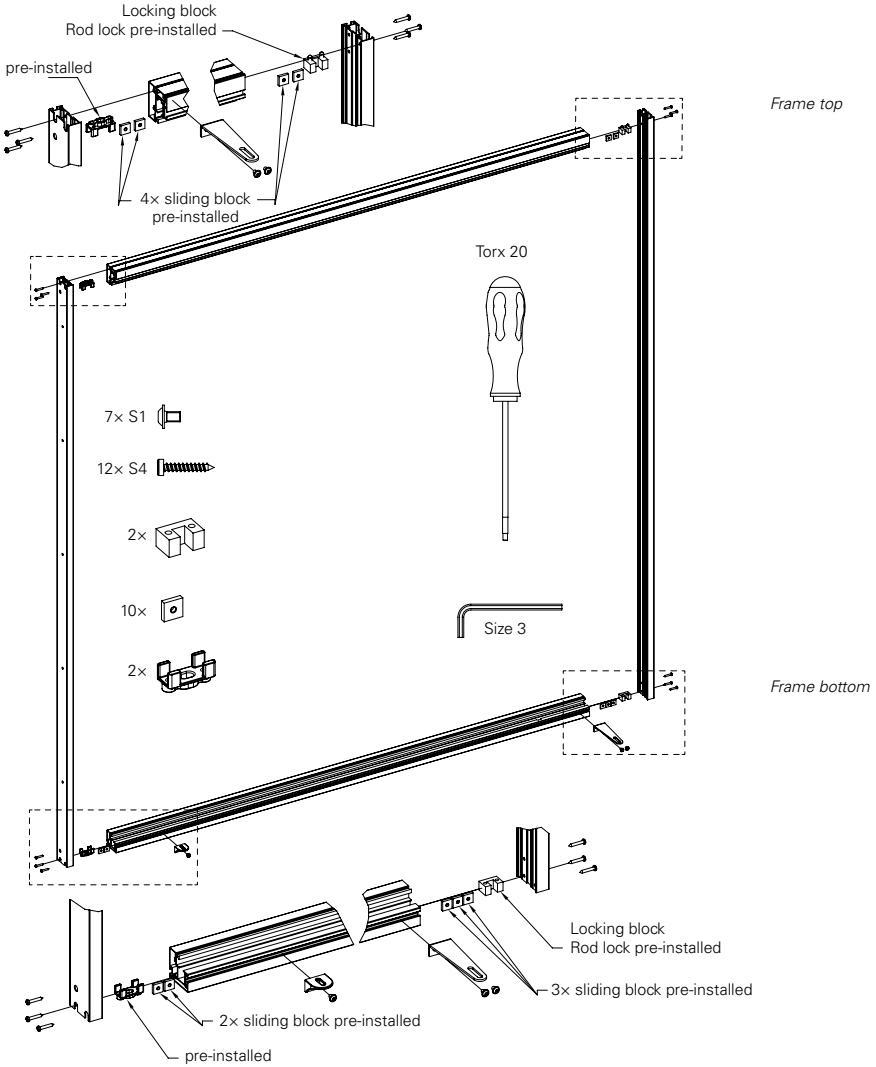
---

D3	Mounting the top and bottom inlet brackets . . . . .	47
----	--	----



D4	Setting the locking blocks . . . . .	47
----	--------------------------------------	----

## D1 Assembling fastening frame

### A) with rod lock

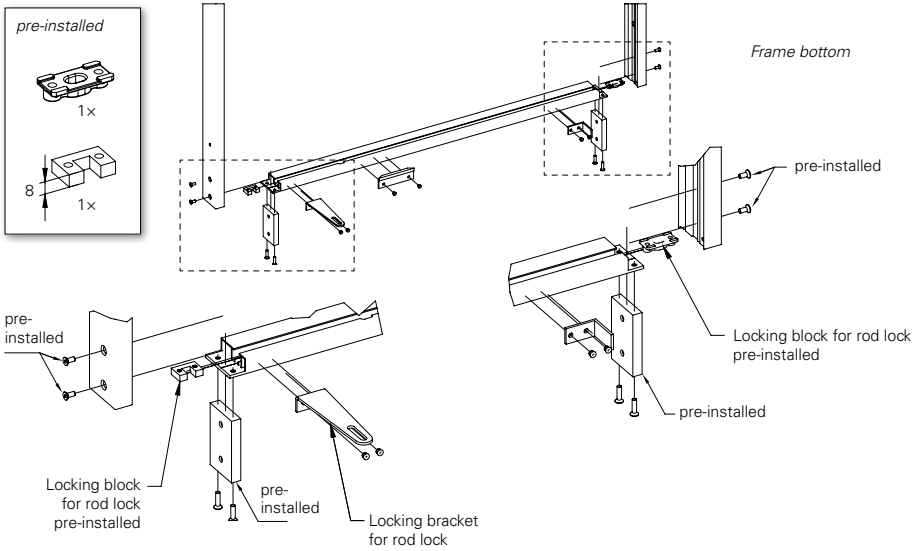


#### Installation step 3-7:

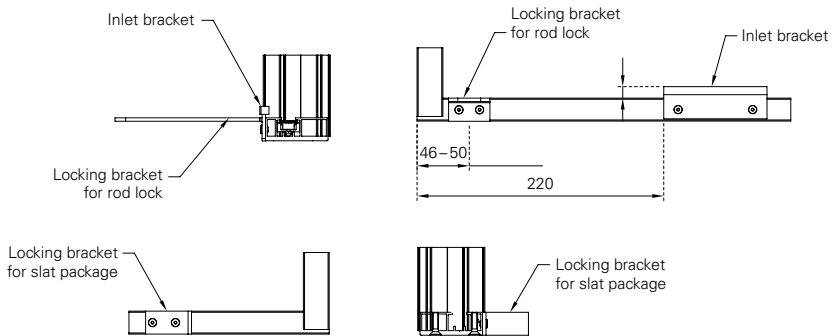
▶ see  chapter  "PROVENCE – without opener" ..... p. 13-15

## B) with barrier-free rod lock (optional)

- ▶ Locking parts for *frame top*, see p. 43
- ▶ Always install the locking block and the locking bracket on the rod lock side!



- ▶ Positioning the locking bracket and inlet bracket

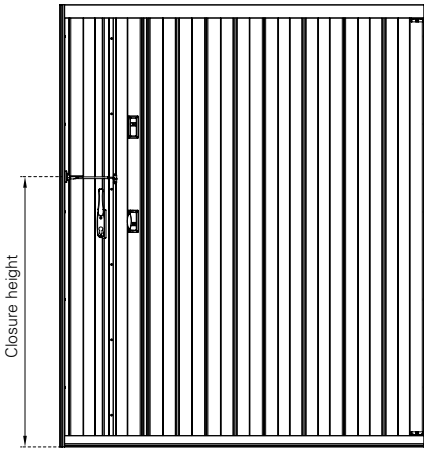


### Installation step 3-7:

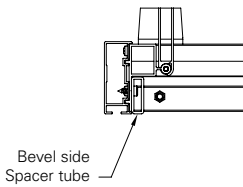
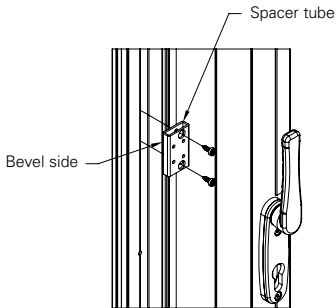
- ▶ see chapter **A** "PROVENCE – without opener" ..... p. 13-15


## D2 Mounting the rod lock centre closure

- ▶ Determine the height of the rod lock centre closure

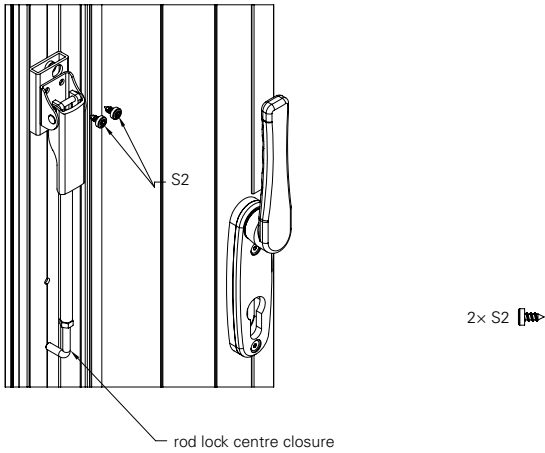


- ▶ Place the spacer tube with the bevel facing inside flush with the frame and fasten with S3 screws.

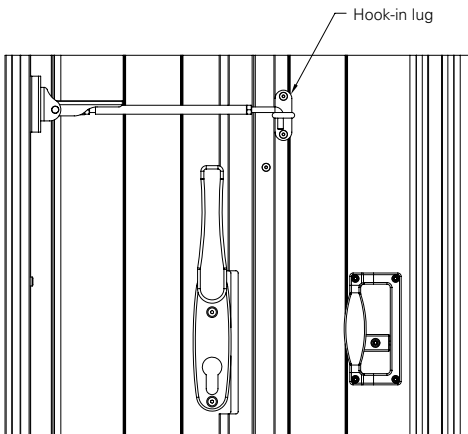


2x S3 

- ▶ Using S2 screws, screw the rod lock centre closure to the spacer tube.




- ▶ Adjust the length of the rod lock centre closure and use the lug to align it horizontally.
- ▶ Then drill and fasten the hook-in lug with rivets.



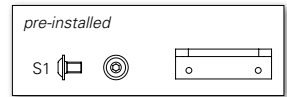
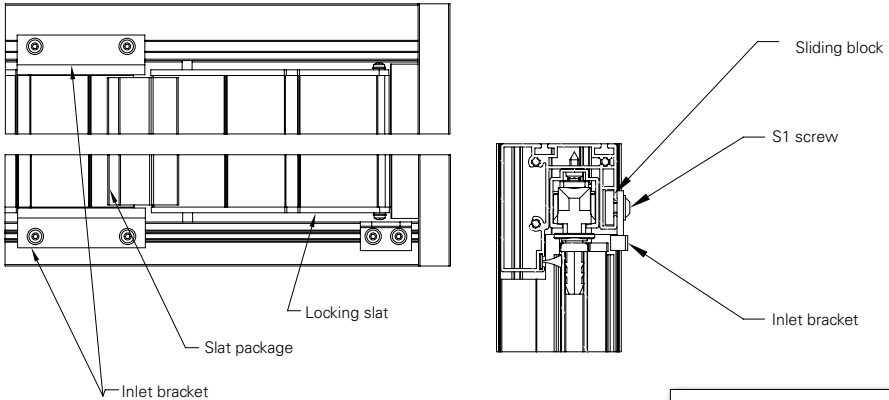
---

**Installation step 9:**

- ▶ see  chapter **A** "PROVENCE – without opener" . . . . . p. 16

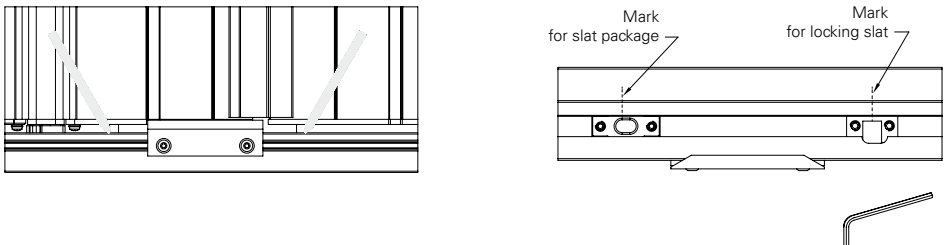
### D3 Mounting the top and bottom inlet brackets

- ▶ Position the inlet brackets so that the locking slat can still be opened and closed.



### D4 Setting the locking blocks

- ▶ Close the folding shutter
- ▶ Mark the bolt rods from the outside
- ▶ As illustrated below, align both locking blocks with the marks and fasten in place



## **EHRET GmbH**

Aluminium shutters

Bahnhofstrasse 14-18

77972 Mahlberg, Germany

Tel. +49(0)78 22/439-0

Fax +49(0)78 22/439-116

[www.ehret.com](http://www.ehret.com)